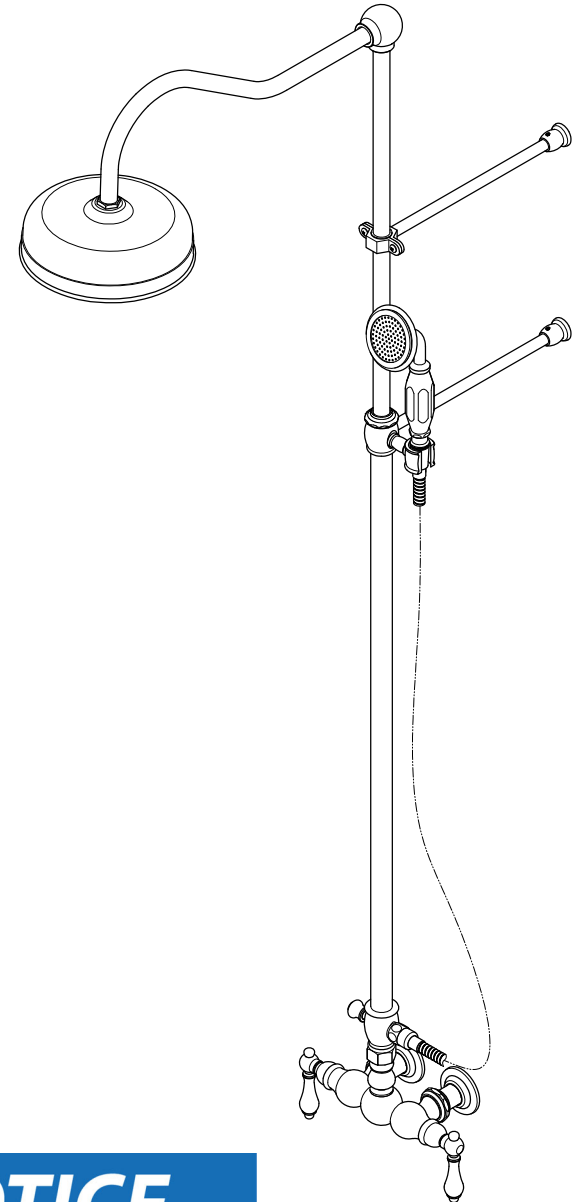


KINGSTON

KITCHEN & BATH



NOTICE

Failure to follow all directions may cause leaks
which may result in water damage

www.kingstonbrass.com
TOLL-FREE CUSTOMER SERVICE: 1-877-2-KBRASS
TECHNICAL SUPPORT E-mail: service@kingstonbrass.com
12775 Reservoir Street, Chino, CA 91710

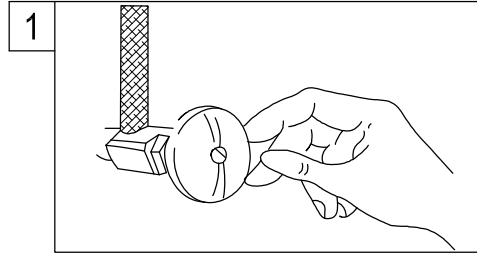
KINGSTON

KITCHEN & BATH

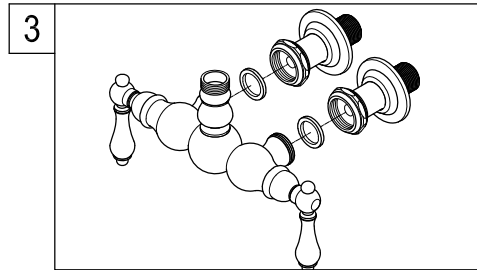
INSTALLATION INSTRUCTIONS Wall Mount Shower Combination

BEFORE BEGINNING INSTALLATION:

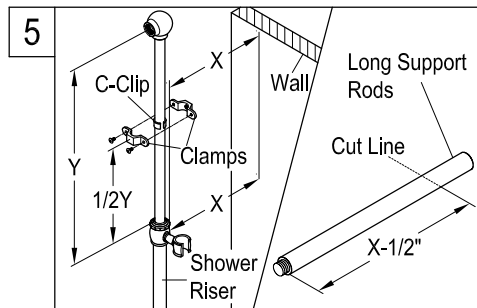
1. Flush plumbing lines to clear any debris.
2. Shut off both supply lines after flushing.



1. Shut off main water supply valve before installation.

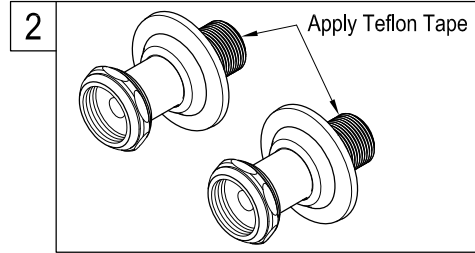


3. Before mounting the faucet onto supply elbows, apply small black washers onto both water inlets of faucet.

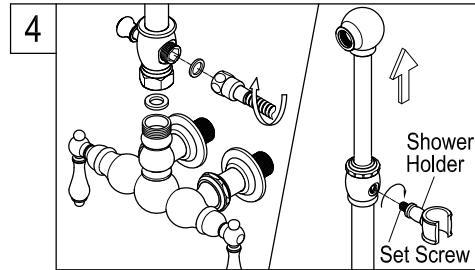


5. Install the c-clip and clamps on the upper tube at the "1/2Y" location. Adjust and keep the shower riser in a plumb direction, then measure the wall installation space "X" for deciding to use short or long support rod. If cutting long support rod is needed, you should cut it to fit as long as "X"-1/2 inch.

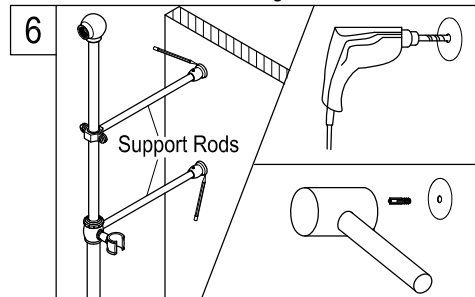
3. The product features two pairs of short and long support rods for option. The long rods can be trimmed off to size for installing space over 2-5/8" between shower riser and wall.



2. Apply Teflon tape on the threads of the copper shank. Install the elbow.

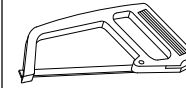


4. Install 60" shower riser onto faucet body. Remove the shower holder and the set screw inside. Pull up the upper tube from the riser body and adjust the upper tube to its appropriate height. Install the shower holder and set screw back onto the riser body. Make sure the set screw not over tightened, otherwise it will push aside the upper tube and cause water leakage.



6. Place a base onto the wall and trace around it with a pencil. Drill holes at the marked locations and insert anchors into the walls with a hammer until flush with the wall.

Need Tools:



Pipe Saw



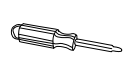
Adjustable Wrench



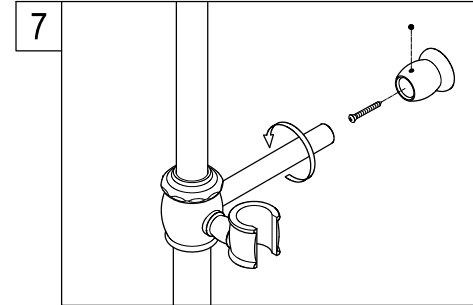
Teflon Tape



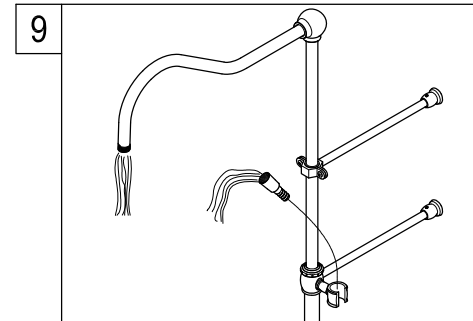
Silicone Sealant



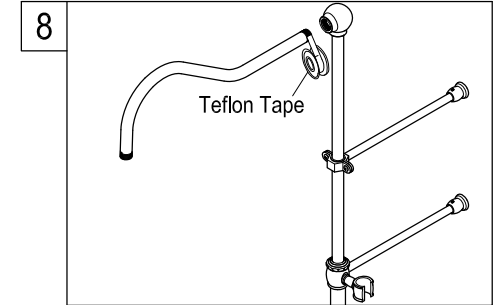
Screwdriver



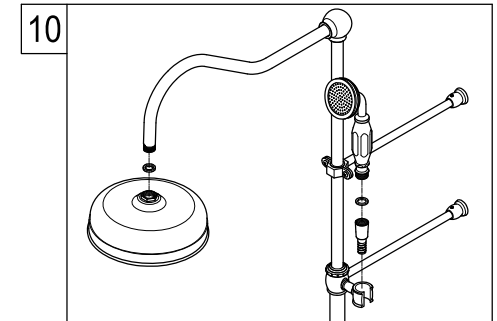
7. Screw the base to the wall with the mounting screws. Place the unit, with the small hole in the base underneath, over the mounting plate by tightening the screw with screwdriver until the base is tightly fixed.



9. Turn on the faucet and let hot and cold water to run for at least one minutes to clean any debris inside the water line.



8. Apply Teflon tape on the shower arm threads then secure one end to the add on shower.



10. Tighten showerhead to shower arm and hand shower to the hose.

Warning!!!

- **DO NOT STEP ON faucet or supply line installation.** This fixture is not a stair to access your storage, window or access higher ceiling. This Cast Brass Faucet cannot support your body weight. To step on faucet will crack the fitting and eventual fracture to cause water damage to your property.
- The faucet was tested and meets ASME/ANSI code on its operation, loading and torque pressure. However this faucet is not designed to support weight over 250 pound per square inch of pressure, **DO NOT OVERTIGHTEN.** **DO NOT APPLY ELECTRICAL TOOL** to fasten faucet installation.
- For Exposed tub supply line installation faucet model, your supply lines have to be installed on corner area, or at area with no walking traffic access to cause accidental tamper or accidental breakage. For installation of exposed supply line at open traffic area is prohibited.
- Removal of this tag prior to installation will void your warranty. Pass the WARNING TAG to the owner after installation.