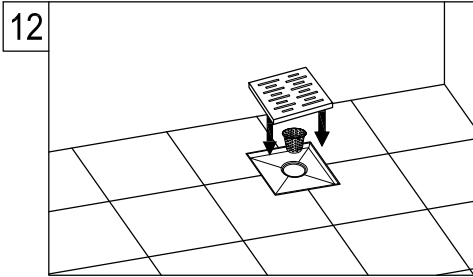
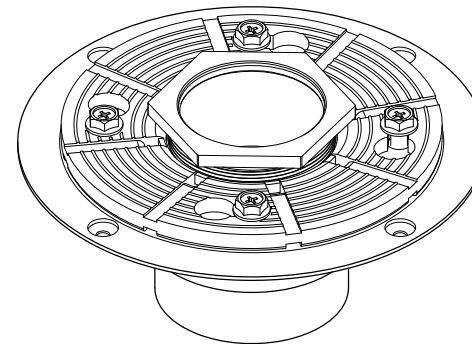
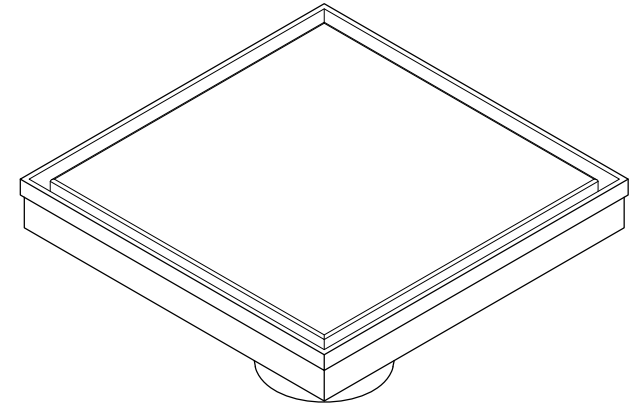


# KINGSTON

KITCHEN & BATH



12. Install the trim pieces.



## NOTICE

Failure to follow all directions may cause leaks  
which may result in water damage

[www.kingstonbrass.com](http://www.kingstonbrass.com)  
TOLL-FREE CUSTOMER SERVICE: 1-877-2-KBRASS  
TECHNICAL SUPPORT E-mail: [service@kingstonbrass.com](mailto:service@kingstonbrass.com)  
12775 Reservoir Street, Chino, CA 91710

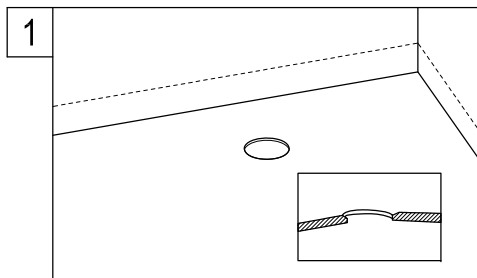
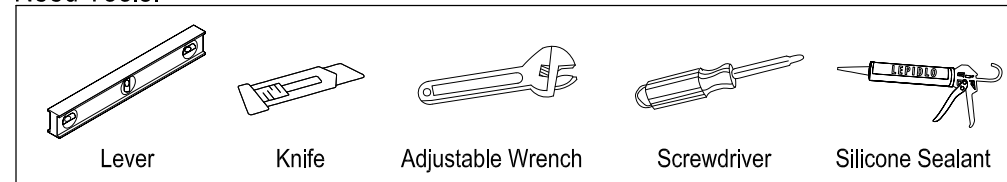
# KINGSTON

KITCHEN & BATH

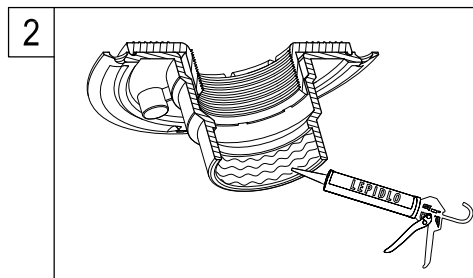
## INSTALLATION INSTRUCTIONS

### Shower Drain with or without Flange Kit

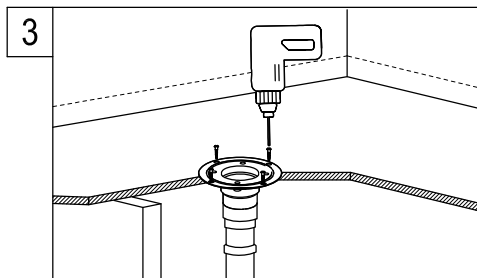
#### Need Tools:



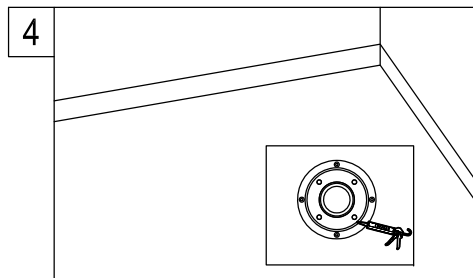
1. Cut a chamfered hole at the location where the drain will be located, the maximum diameter at the upper part of the hole should be 6-1/2", this will allow the flange to sit flush with the sub-floor.



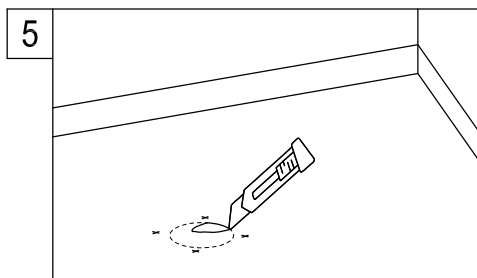
2. Evenly apply adhesive to the inside area where the flange will be connected to the drain.



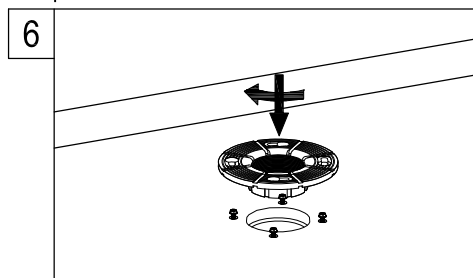
3. Connect the flange to the drainpipe; drive wood screws into the 4 holes on the flange edge, the top of the flange should be flush with the subfloor.



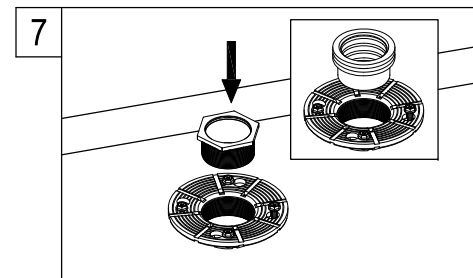
4. Prep the floor for a waterproof membrane using the appropriate methods and materials, apply adhesive to the grooved part of the flange and install membrane as per manufacturer's instructions.



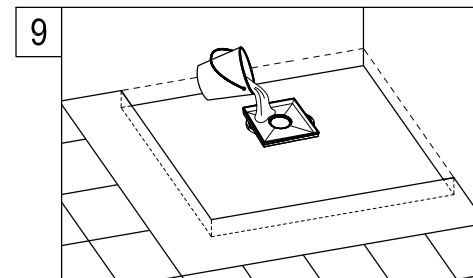
5. Using a utility knife cut an x at the location where the 4 bolts will be threaded and in the center of the drain, carefully cut off the excess pieces of liner from the center of the drain by running your knife along the inside diameter of the drain flange, re-thread all 4 bolts into the flange.



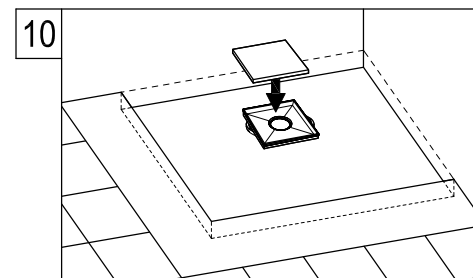
6. Insert and turn the clamping ring on the flange and tighten the bolts.



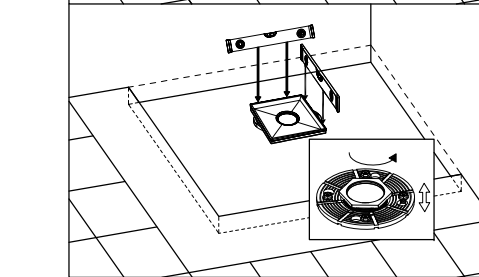
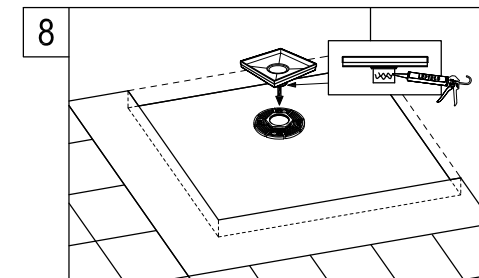
7. Connect the adapter and install on the flange (Hexagonal thread adapter and rubber adapter are optional).



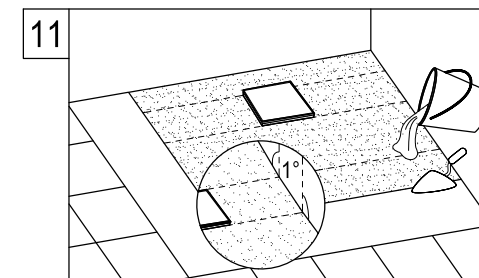
9. Test that all connections are watertight by pouring some water and checking for leaks.



10. Cover the drain opening to prevent any debris from going into the drain.



8. Apply adhesive to the outer surface of the drain housing connector and insert into the shower drain adapter, although the drain should be set at 1/6" below the finish floor level, you can do a final adjustment prior to installing the final flooring surface by inserting or pulling the adapter, make sure to level the drain housing.



11. Pour the mortar and install the final flooring surface, make sure to slope the mortar at a 2% grade or 1/4" /ft.

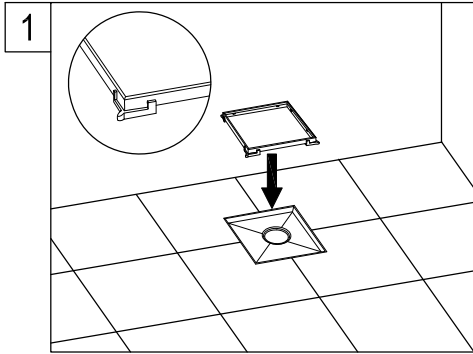
# KINGSTON

KITCHEN & BATH

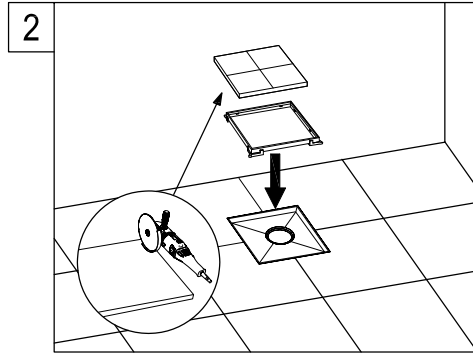
## INSTALLATION INSTRUCTIONS Shower Drain with or without Flange Kit

### Tile Insert Process:

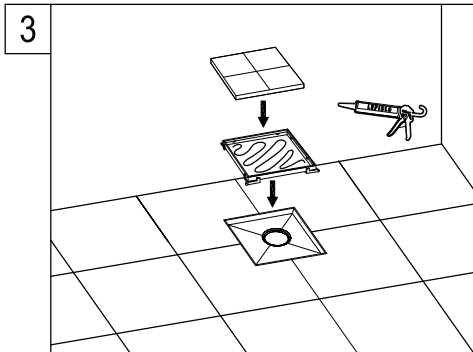
- If you don't buy Tile-insert design, just ignore this page.



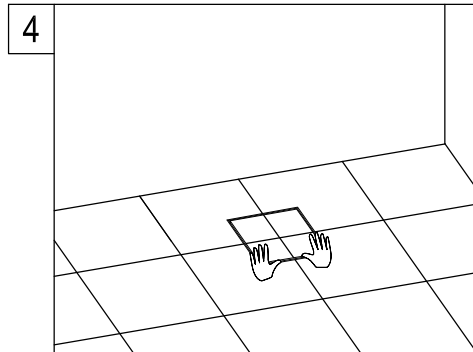
1. Fasten the supporters in all holes under the tray.



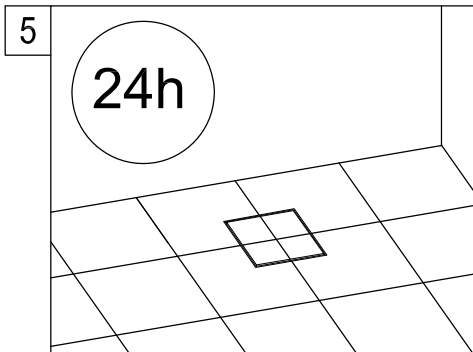
2. Cut the insert-tile to match the tray.



3. Evenly apply adhesive to the back and edge of the insert-tile where will be connected to the tray.



4. Put the insert-tile into the tray, make sure the tile 1mm above the tray edge to avoid ponding water.



5. Sweep off the excess tile adhesive, clean up the tile surface and the tray.  
Wait at least 24 hours before using