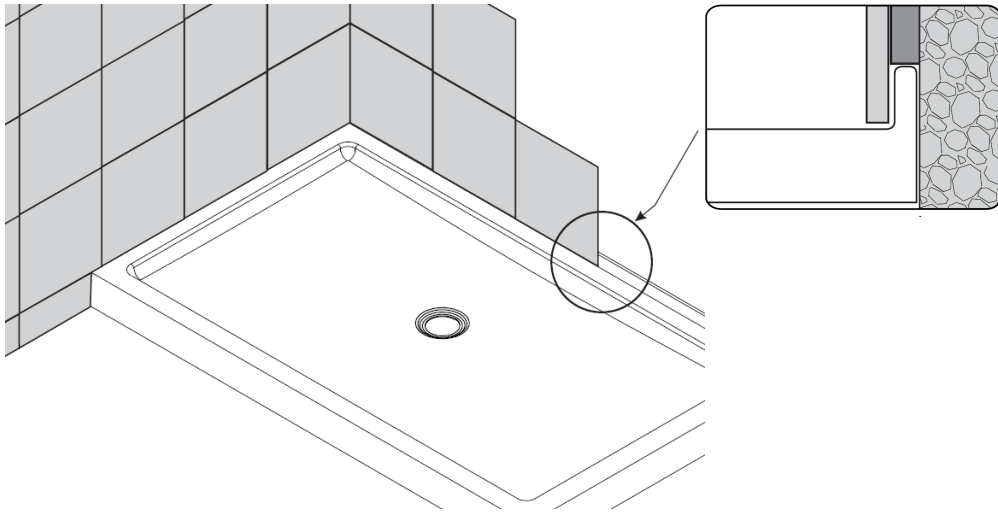


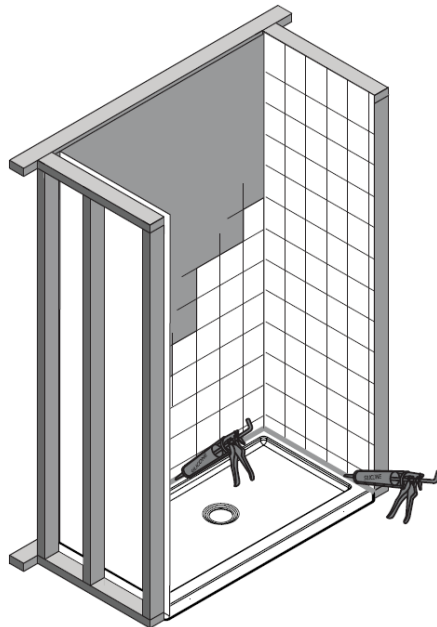
STEP 4

Allow mortar bed to completely cure before applying and weight on it, at this point you may proceed to install wall board and tile.



STEP 5

Use silicone to fill the gap. There must not be any flexing or movement of the shower base once installed, let mortar dry for at least 24 hours.



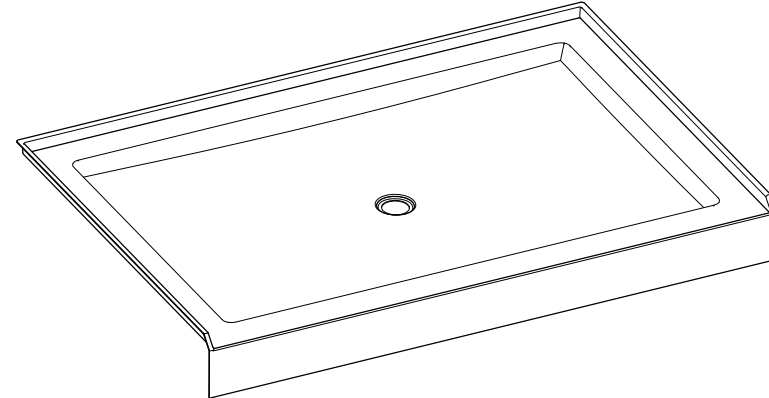
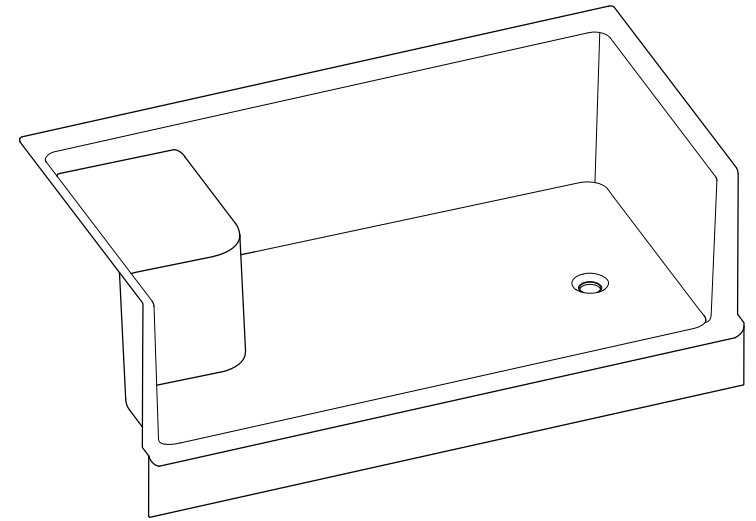
Cleaning

Clean with a damp cloth only.
Avoid using metal or abrasive polishes.

©2022-10-E Kingston Brass

Aqua Eden

ELEMENTS OF DISTINCTIVE STYLE



www.kingstonbrass.com
TOLL-FREE CUSTOMER SERVICE: 1-877-2-KBRASS
TECHNICAL SUPPORT E-mail: service@kingstonbrass.com
12775 Reservoir Street, Chino, CA 91710

NOTICE

Failure to follow all directions may cause leaks
which may result in water damage



Aqua Eden

ELEMENTS OF DISTINCTIVE STYLE

INSTALLATION INSTRUCTIONS

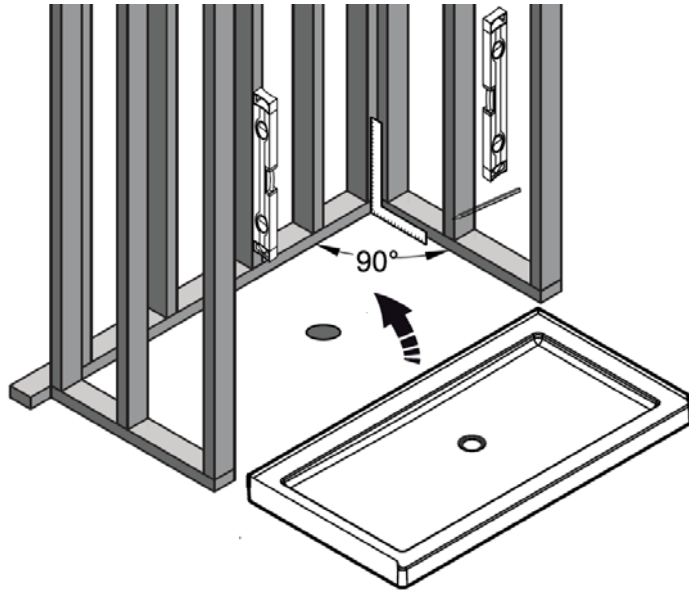
Shower Base

Important points to remember before beginning installation:

- Read complete instructions before beginning installation.
- Confirm that your model will fit in intended location and plumbing fixtures are located where required before beginning installation.
- Walls and sub-floor must be solid, plumb, and square.
- If installation surface is not level, use leveling compound or mortar bed for proper installation.
- Use drop cloth to protect bathtub from damage during installation.
- Two people recommended to install this product.

STEP 1

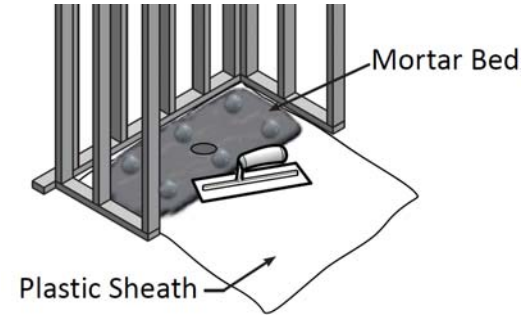
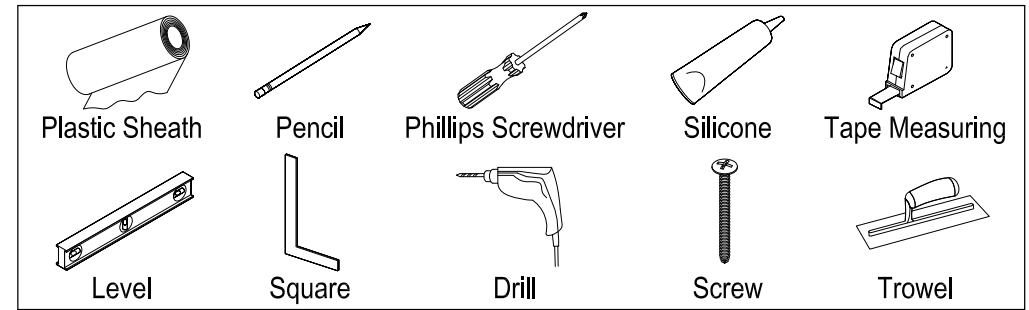
Make sure that the walls surrounding the shower pan are plumb and that the floor is leveled, place shower pan at the desired location and mark location of the drain, make sure to level shower pan in all directions and with a pencil mark the height of the tile flange on the wall studs, this will make it easier to secure the shower pan at time of installation, remove shower pan.



STEP 2

Rough in a 2" shower drain pipe, clean floor area of any debris and place a piece of plastic sheathing on the floor, cut out area where the drain protrudes, Install shower drain (Not Included) as per drain manufacturer's instructions. Pour a mortar bed under the area where the shower pan will be installed, keep the mortar bed 2" away from the perimeter as well as the drain area.

Need Tools:



STEP 3

Set the shower pan at the desired location, use pencil marks on the wall studs as a guide to level the shower pan, double check using a level, secure shower pan to the wall studs using the appropriate screws, make sure shower drain is properly connected to the drain pipe.

