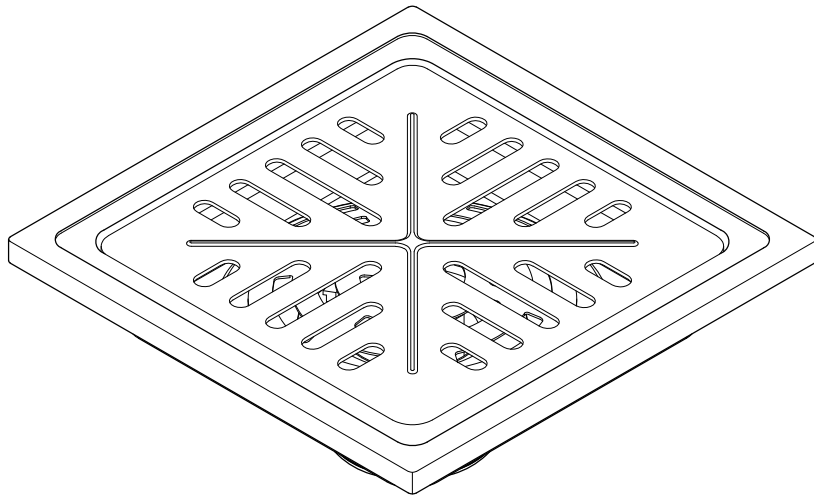


# KINGSTON

KITCHEN & BATH

## Shower Drain Installation



### NOTICE

Failure to follow all directions may cause leaks which may result in water damage

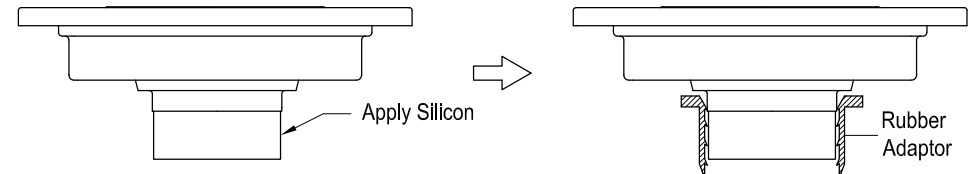
www.kingstonbrass.com  
TOLL-FREE CUSTOMER SERVICE: 1-877-2-KBRASS  
TECHNICAL SUPPORT E-mail: service@kingstonbrass.com  
12775 Reservoir Street, Chino, CA 91710

### Before Installation :

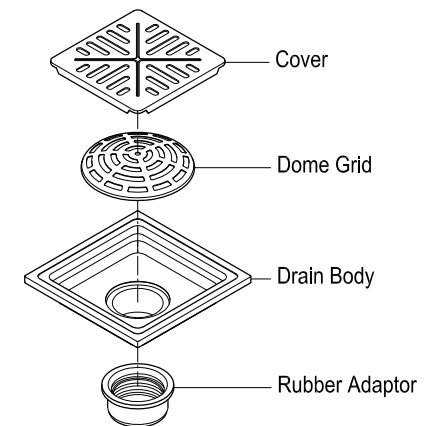
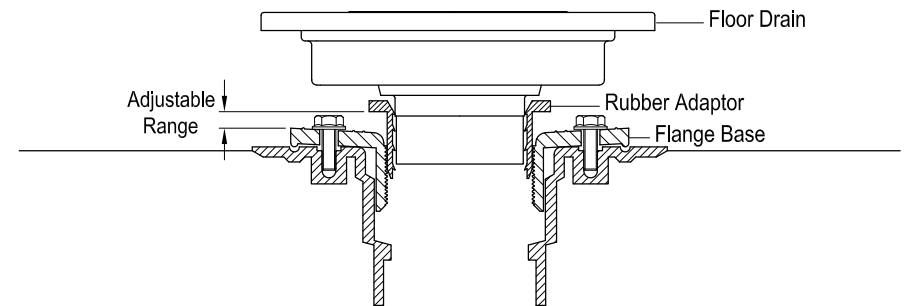
- Please allow a 6" x 6" space on the tile for drain flange.

### Installation:

1. Apply silicone around the shank of floor drain.
2. Insert the rubber adaptor onto the shank of floor drain, make sure the rubber adaptor is fully pushed in.



3. Insert the rubber adaptor with floor drain onto the flange base.
4. Adjust the height of floor drain by moving rubber adaptor a little higher or lower.



### Care and Maintenance:

- Clean periodically of any debris that has accumulated.
- To clean, remove cover and dome grid, remove any debris present and re-insert all component.

©2022-11-D Kingston Brass