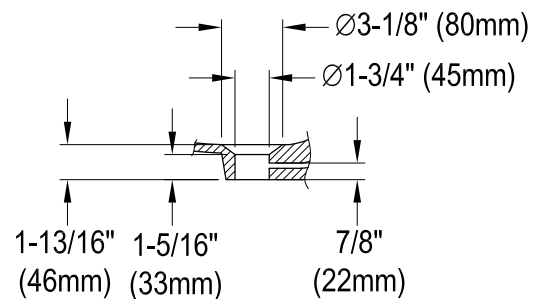
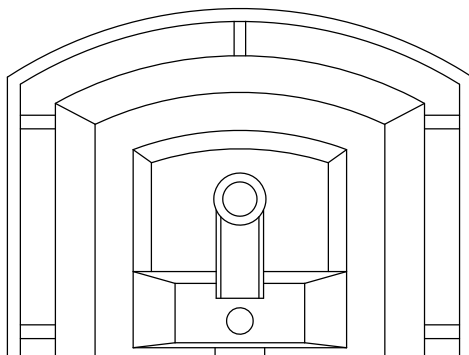
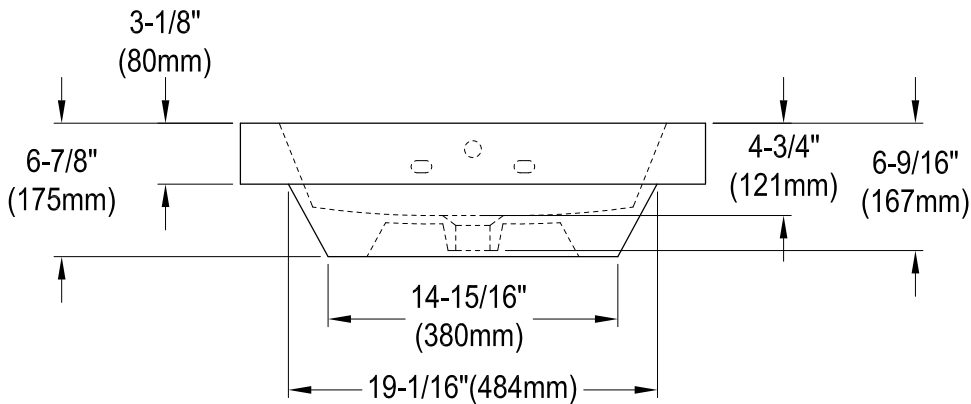
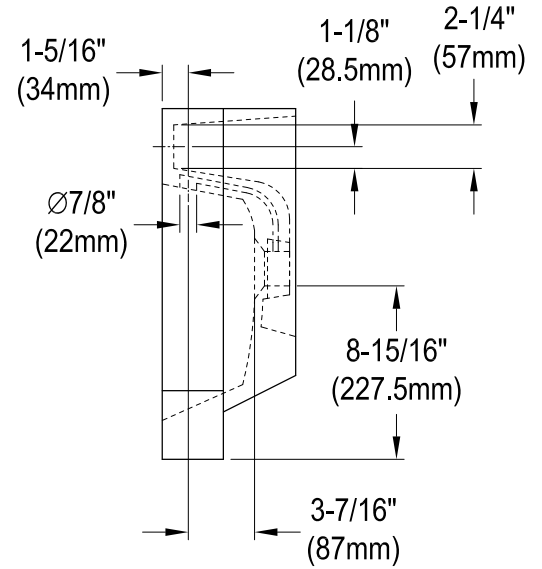
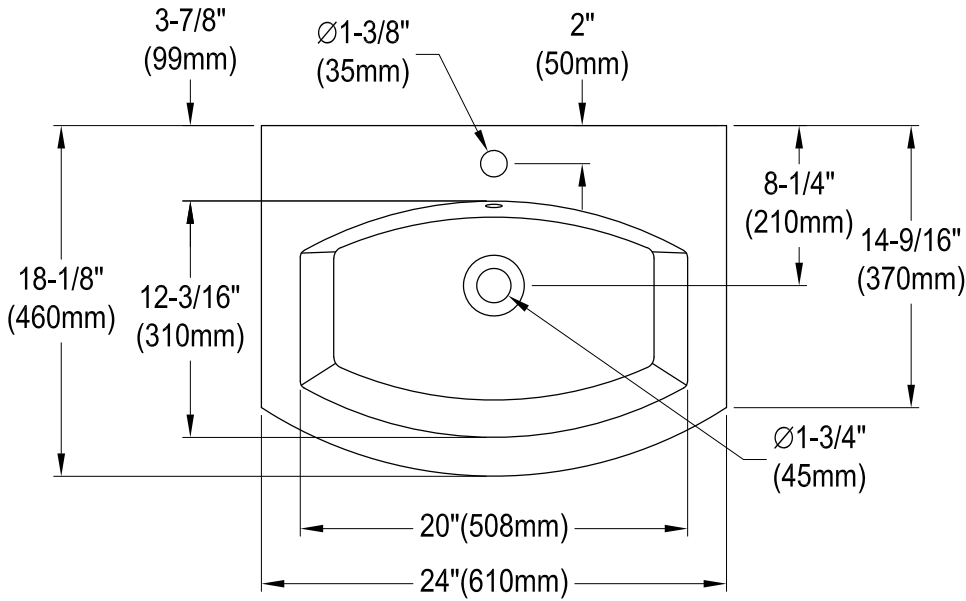
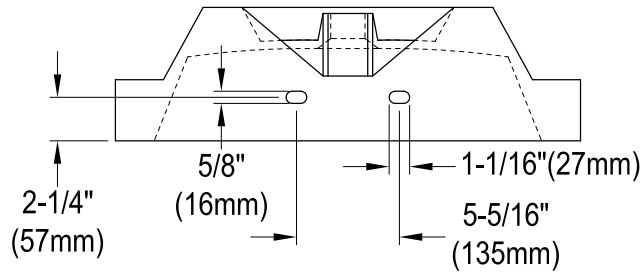


# EV2418

## Semi-Recessed Bathroom Sink



**Drain Hole Size**  
**SCALE (1:1)**