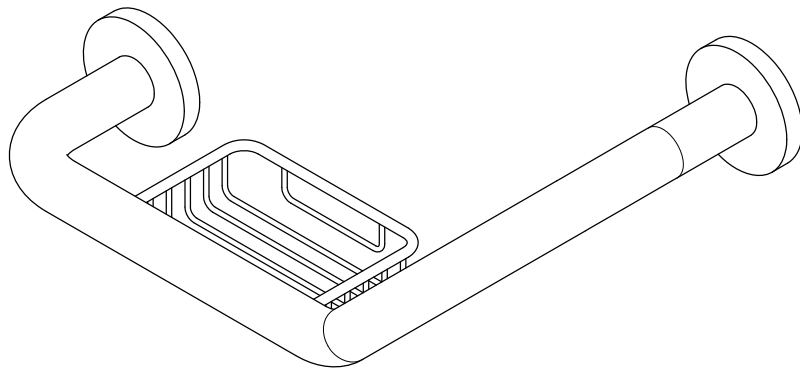


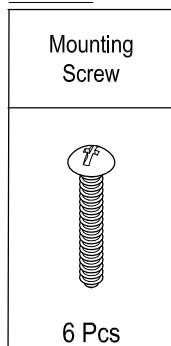
KINGSTON

KITCHEN & BATH

Grab Bar and Soap Basket Installation



Parts:

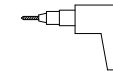


www.kingstonbrass.com
TOLL-FREE CUSTOMER SERVICE: 1-877-2-KBRASS
TECHNICAL SUPPORT E-mail: service@kingstonbrass.com
12775 Reservoir Street, Chino, CA 91710

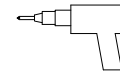
TOOLS REQUIRED



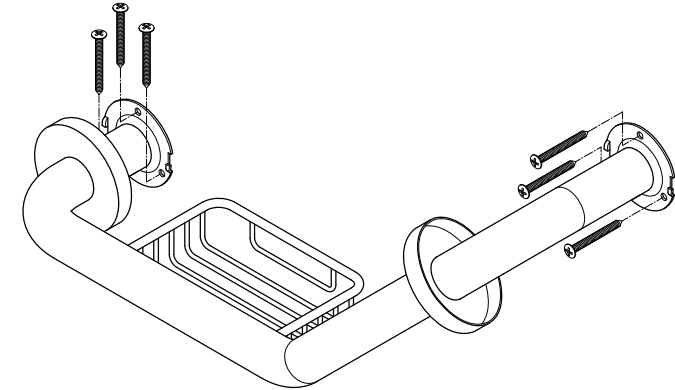
Marking Pencil



Power Drill



Electric Screwdriver



Before you begin your installation:

- For your own safety, this grab bar should be installed by a licensed professional.
- A grab bar is as good as the way it's installed.
- Make sure to confirm that there is proper wood backing at both points of attachment for this grab bar.
- If there is no wood backing no wood backing available at both point, attach a 2" x 6" minimum piece of lumber between the studs.
- Maximum weight capacity is 292 LBS (132 KGS).

Installation Steps:

1. Place bar at the desired location. Level and mark the location of the holes.
2. Remove bar and drill starter holes (5/64").
3. Mount grab bar to the wall using 2" screws, due to the tight space, it might be necessary to use electric screwdriver.
4. Press flanges to the base and turn clockwise to lock in place.

Cleaning

Clean with a damp cloth only.
Avoid using metal or abrasive polishes.