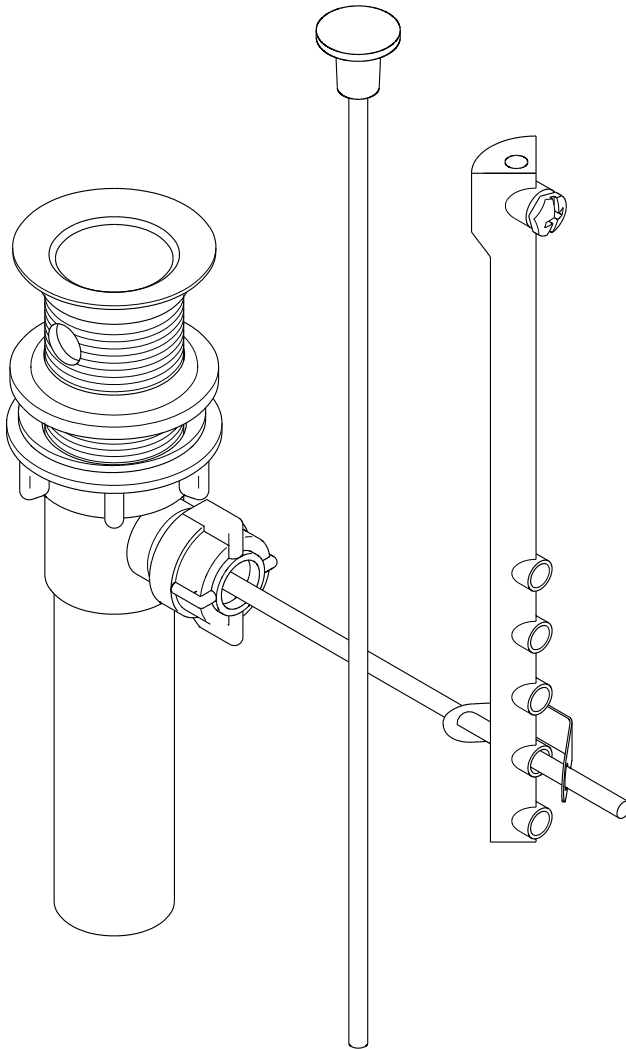


KINGSTON BRASS

THE TRADITION OF FINE BRASS



www.kingstonbrass.com

TOLL-FREE CUSTOMER SERVICE: 1-877-2-KBRASS

TECHNICAL SUPPORT E-mail: service@kingstonbrass.com

12775 Reservoir Street, Chino, CA91710

KINGSTON BRASS

THE TRADITION OF FINE BRASS

INSTALLATION INSTRUCTIONS For Use With KB's Plastic Pop-Up

Need Tools:



INSTALLATION:

1. Remove the flange(2), plug(1) from the drain body(6).
2. Apply a small bead of silicone caulking (Do not use plumbers putty) under drain flange(2), then push the flange(2) into the drain opening.
3. Turn the locknut(5) downwardly to the lower position of drain body(6). Push washer(4) and rubber gasket(3) down.
4. Insert drain body(6) upwardly with(3)(4)(5) parts through the drain opening from the underside of sink. Then turn the drain body(6) in clockwise by hand to thread-connect with the flange(2) as tightly as possible.
5. Slightly adjusting the drain body(6) or the flange(2) to make sure the side hole of drain body(6) positioned toward the rear wall.
6. Move up rubber gasket(3), washer(4) and tighten up the locknut(5) with a wrench until the rubber gasket(3) can completely and tightly seal the drain opening beneath the sink.
7. Insert the plug(1) into the flange(2). Make sure the plug's bottom hole is aligning with and the side with bottom hole is near the side hole of drain body(6).
8. Remove the nut(8) from the side hole of drain body. Make sure a plastic bushing is present on the side hole and its concave surface is facing out. Remove clip(9) from ball rod(7).
9. Insert the short side of ball rod(7) in side hole of drain body(6), making sure the rod goes through the bottom hole of plug(1). Connect the nut(8) onto the side hole and tighten it by hand.
10. Move the ball rod(7) up and down to test the plug(1) can open and close smoothly.
11. Connect pop-up rod(12) and ball rod(7) with lift rod strap(10). Try and test the proper connection position, then fix them by clip(9) and set screw(11) tightening.
12. Pull up the pup-up rod(12) to the close position of the plug(1), then turn on faucets to full fill water in the sink. Examine to make sure no water comes out from the drain body(6).
13. Push down the pup-up rod(12) to the open position of plug(1) to drain water. Examine to make sure no water leakage around the rubber gasket(3) or side hole of drain body. If leakage found, adjust the rubber gasket(3), re-tighten up the locknut(5) or the nut(8) on side hole until no more leakage found.

