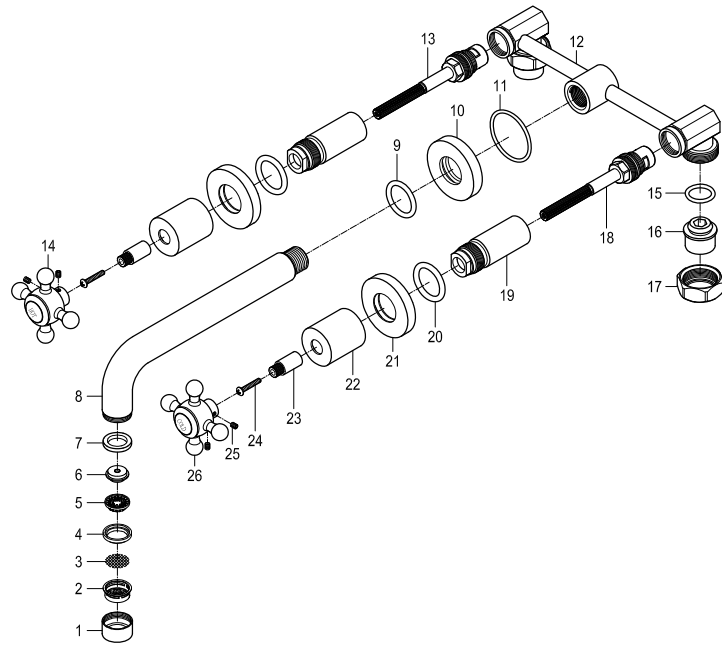
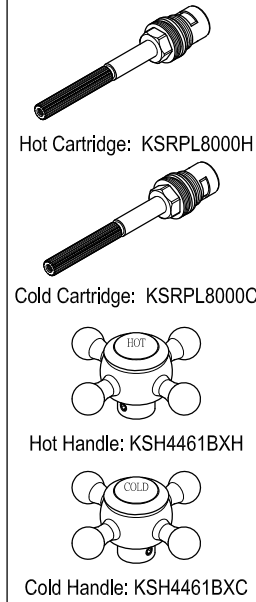


## Parts:

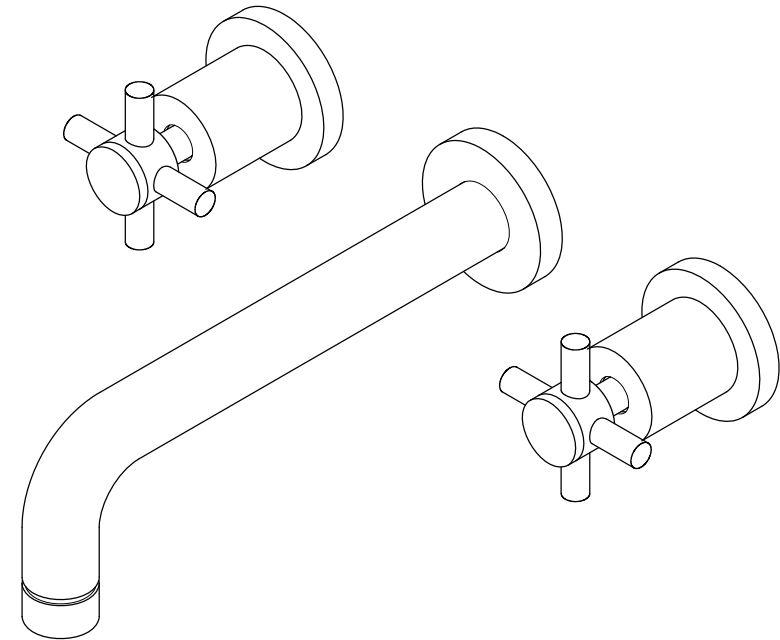


## Replacement Parts:



# KINGSTON

KITCHEN & BATH



## CARE AND MAINTENANCE OF YOUR FAUCET

Your Kingston Brass faucet has been finished to the most strict standards; however, due to the high content of minerals in the water, your finish may appear dull and tarnished after time. These are some do's and don'ts to maintain the luster on your faucet for many years to come.

### DO

1. Use a silicon based caulking when installing.
2. Clean your faucet with only a mild soap and water solution.
3. Dry your faucet after using it.
4. Give it a coat of Carnauba Wax periodically.

### DON'T

1. Use plumbers putty when installing the faucet.
2. Use any abrasive cleaning agents.

It may seem like a very simple and short list but it is that simple to maintain your faucet, looking shiny and new.

If your faucet is already looking somewhat dull and tarnished, before replacing it, try cleaning it with a 50/50 solution of vinegar and water, you may need to soak some rags and wrap around those stubborn areas, leave overnight and rinse completely in the morning, apply Carnauba wax once you have removed the mineral deposits.

## NOTICE

Failure to follow all directions may cause leaks  
which may result in water damage

www.kingstonbrass.com  
TOLL-FREE CUSTOMER SERVICE: 1-877-2-KBRASS  
TECHNICAL SUPPORT E-mail: [service@kingstonbrass.com](mailto:service@kingstonbrass.com)  
12775 Reservoir Street, Chino, CA 91710

# KINGSTON

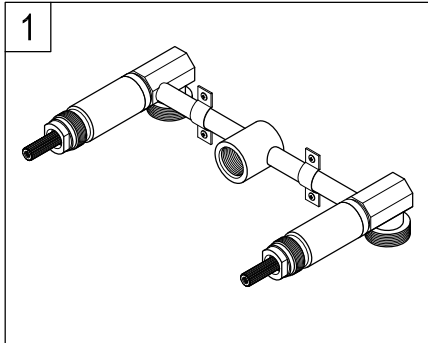
KITCHEN & BATH

## INSTALLATION INSTRUCTIONS

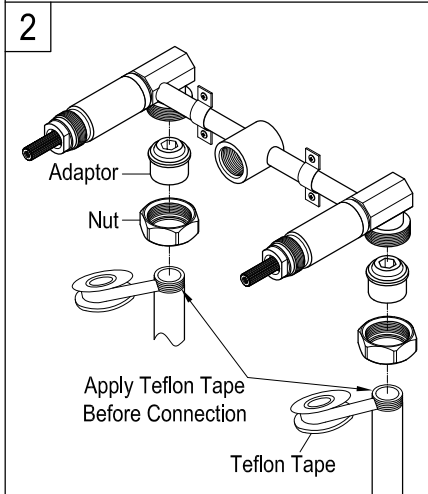
### Twin Handles Wall Mount Faucet

#### BEFORE BEGINNING INSTALLATION:

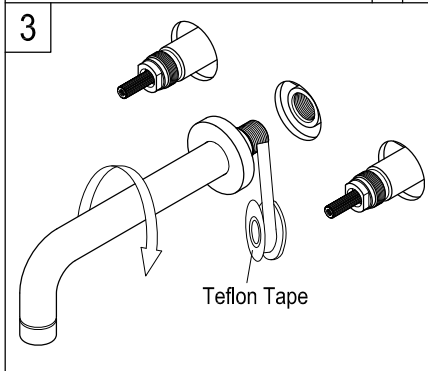
1. Flush plumbing lines to clear any debris.
2. Shut off both supply lines after flushing.



1. Properly secure valve body to wood bracing using copper straps, make sure to place body so that the distance between the back of the valve body to the finish wall surface is 3-1/4" to 3-3/8".

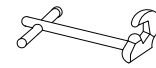


2. Connect valve assembly to 1/2" supply lines, the union adaptors on this valve are threaded for 1/2" NPT male threaded fittings. To avoid structural damages, do not use gas fittings or fittings of any other size. Apply Teflon tape to the proper adaptor and thread onto tailpiece union, **DO NOT OVERTIGHTEN**, then attach to valve body by threading nut.



3. After inserting the spout flange, apply Teflon tape to spout and thread spout onto valve body, apply silicone based caulking to the back of the flange and press against the wall.

#### Need Tools:



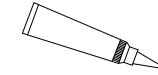
Basin Wrench



Adjustable Wrench



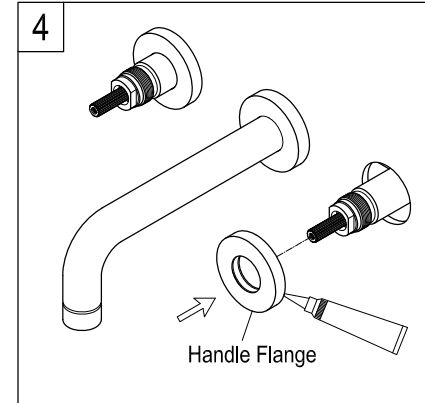
Teflon Tape



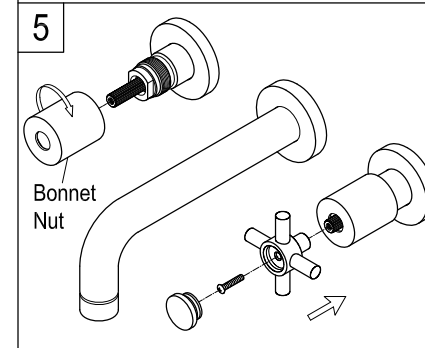
Silicone Sealant



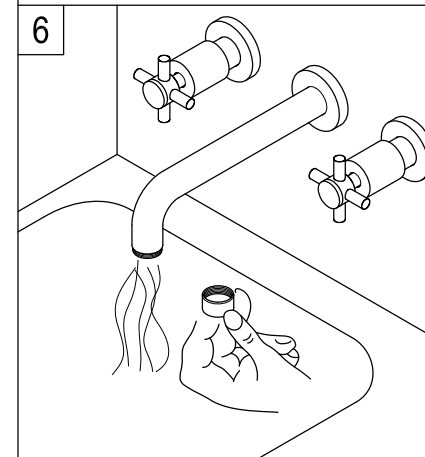
Screwdriver



4. After applying silicone based caulking to the back of the handle flanges insert onto valve body and push completely to the wall.



5. Thread bonnet nut onto valve assembly, insert handles and secure with Philips head screw onto valve stem, insert valve cap and press firmly.



6. Remove aerator and turn on both hot and cold valves, this will clear any debris left in the line, reinstall aerator

#### Warning!!!

Do not overtighten the inlet fittings as this may cause structural failure and water damage.