

## Important

Before you begin installation, please read the following instructions and observe all local plumbing and building codes.

- Check the area where the bathtub will be installed to ensure that it is leveled and structurally sound.
- Please unwrap the bathtub and check it carefully for any damage that may have occurred during transportation.
- Check that all parts are included.
- If you have any missing parts, damage is found or have any questions regarding the installation process contact customer service at (877)-252-7277.
- Store bathtub in a safe place until you begin installation to avoid damage to the tub's surface.
- No claims for damages or blemishes will be accepted once the tub has been installed.
- We recommend that the installation of this tub be done by a qualified licensed professional.
- Because of its weight and volume we recommend that the installation of this tub be done with the help of at least one other person, a fall even what may seem like a minor one may result in cracking of the tub, moving straps and rubber gripped gloves are recommended.
- These Installation instructions do not include details of waste connections, the final details should be determined by your contractor.

## Cleaning and Maintenance

Because resin is a very durable non porous material, resistant to scratches, stains and discoloration, it is very easy to maintain, however, there are a few do's and don'ts that will ensure that your tub does not lose its luster throughout the years.

- Do clean it with a soft dry cloth after use.
- Do not use abrasive cleaners, cleaners containing acid, alkali or ammonia to remove stains.
- Do not expose the surface of this tub to hair dye or nail varnish as this may cause stains.

Your tub includes a sheet of extra fine grit sanding paper, If your tub develops minor scratches they may be removed by scrubbing gently with the fine grit sand paper, a soft brush or a non-abrasive sponge and a mild abrasive cream cleaner, in addition, should the minor scratches remain or you would like to polish the area in question to its original finish, you can perform the following procedure.

## Gloss Finish

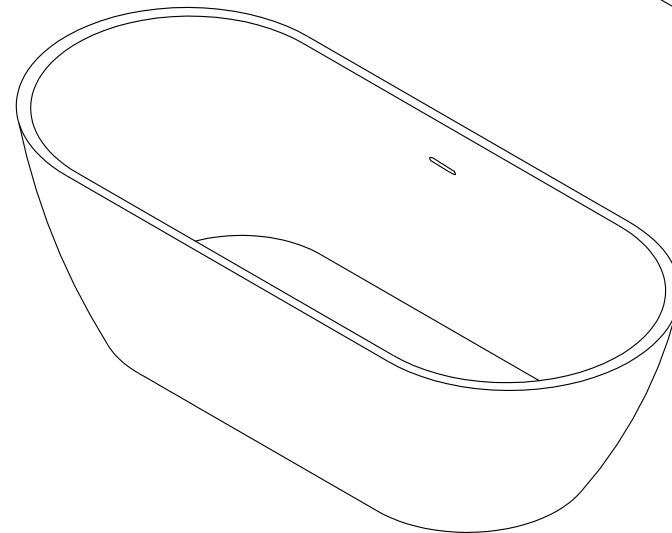
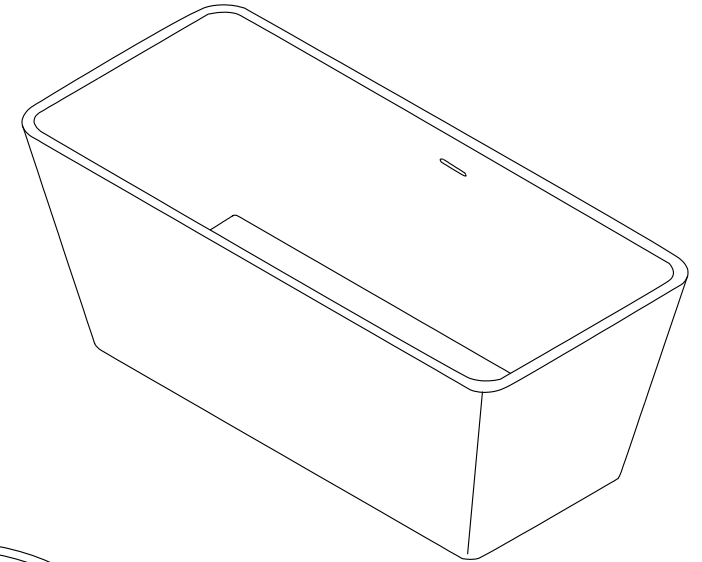
- Clean the surface with water, making sure no dust remains.
- Using water, polish the area starting with 800 grit sand paper, then 1500 grit and finally 2000 grit, if a finer finish is desired you can give it a final sanding/polishing with 3000 grit sandpaper.
- Dry using a clean dry cloth.
- Polish with G3 or 3M extra cut Compound, wax and polish by hand or using a mechanical polishing machine.
- Wipe up the remaining wax with a clean and dry cloth.

## Matte finish

- Clean the surface with water, make sure no dust remains.
- Using water, polish the area starting with 800 grit sand paper.
- Wipe up the remaining wax with a clean dry cloth.

# **KINGSTON BRASS**

THE TRADITION OF FINE BRASS



[www.kingstonbrass.com](http://www.kingstonbrass.com)

TOLL-FREE CUSTOMER SERVICE: 1-877-2-KBRASS

TECHNICAL SUPPORT E-mail: [service@kingstonbrass.com](mailto:service@kingstonbrass.com)

12775 Reservoir Street, Chino, CA91710

## INSTALLATION INSTRUCTIONS

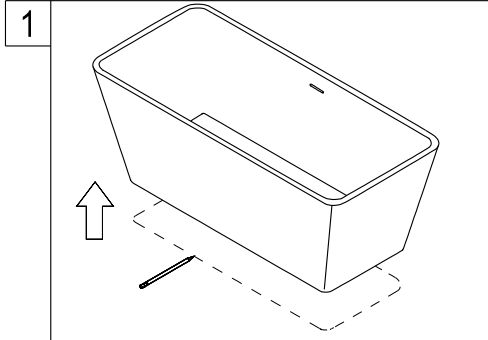
For Use With KB's Solid Surface White Stone Bathtub With or without Drain

### Caution

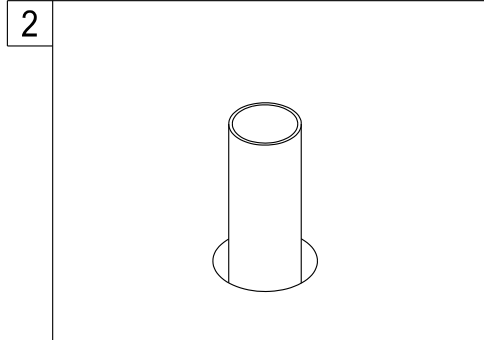
This bathtub is heavy. Get help lifting and moving this tub. Read all instructions thoroughly before starting the installation.

### Important Points to Remember:

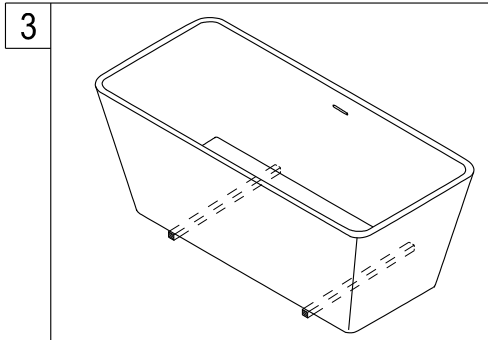
1. Provide adequate floor support.
2. Make sure the subfloor is level. Provide drain access from below. Provide access to all plumbing connections. Observe local building and plumbing codes.



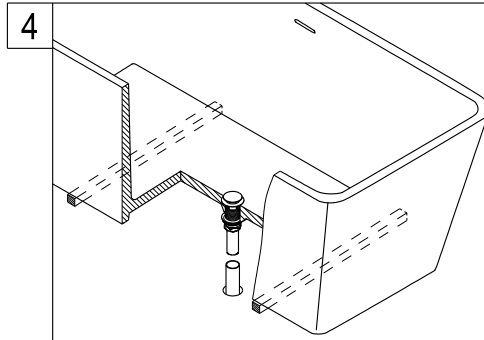
1. Position the tub at the desired location, with a pencil mark the perimeter of the tub, also mark the location of where the tub drain will be situated, remove tub and place on a blanket or piece of cardboard.



2. Prepare waste drain stub-out at the location where the tub drain was marked.

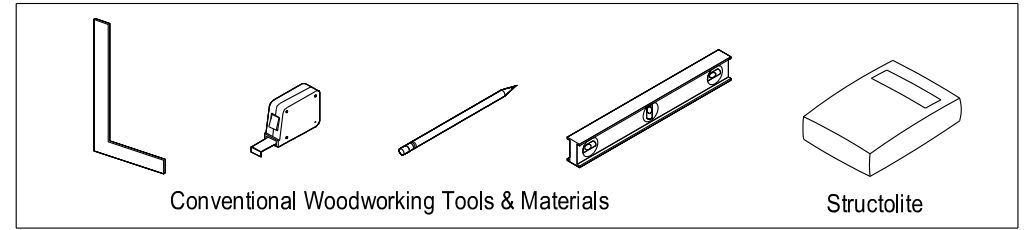


3. Place 2 pieces of lumber, long enough to span the width of the tub at the location where the tub will be installed and place tub on top of the lumber support rails.



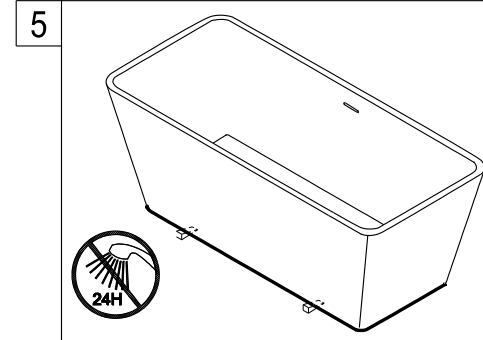
4. Connect the drain to the waste line, close the drain on the tub and fill it with water, allow the water stand for 30 minutes, check for leaks.

### Need Tools:

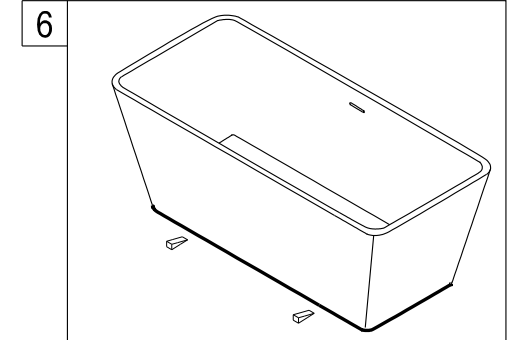


Conventional Woodworking Tools & Materials

Structolite



5. The entire perimeter of the tub should be set in a 1/2" high bed of Structolite or similar mortar to provide continuous support, slowly lower the tub by removing the 2 lumber support rails, and support on shims around the perimeter of the tub, make sure to level tub at this point, there must not be any flexing or movement of the tub once installed, let mortar dry for at least 24 hours.



6. Remove support shims, clean any excess mortar that may have seeped out and apply caulking around the perimeter as needed, clean excess caulking.