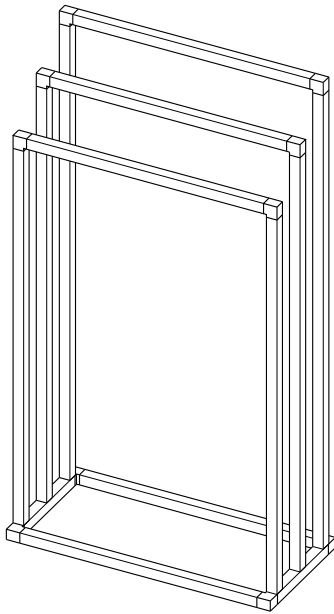


Pedestal 3-Tier Iron Frame Towel Rack Installation

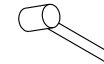


Parts:

Straight Tube		Base	Two-way connector
		 2 Pcs	 10 Pcs
A	15-7/8"	Screw	
B	26"	 6 Pcs	 Gasket
C	28-3/4"	H	
D	31-1/2"	 4 Pcs	

www.kingstonbrass.com
TOLL-FREE CUSTOMER SERVICE: 1-877-2-KBRASS
TECHNICAL SUPPORT E-mail: service@kingstonbrass.com
12775 Reservoir Street, Chino, CA91710

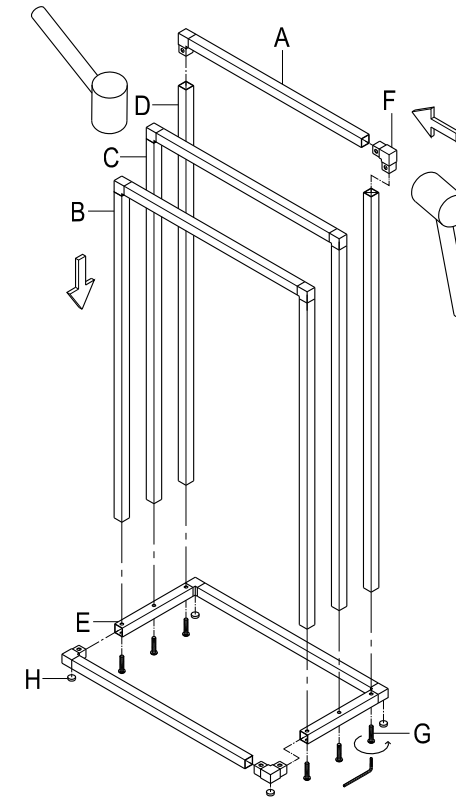
TOOLS REQUIRED



Rubber mallet



Allen wrench



Installation Steps:

- Step 1. Using a rubber mallet, gently tap the two-way connectors (part F) into the straight tube (part A). Repeat on the other side and for the remaining 4 pieces.
- Step 2. After completing step 1 with parts A. Locate parts B, C, D and E.
- Step 3. Next, locate the base (part E), then the screws (part G) provided and secure them into base (part E) and parts B, C, and D by tightening with an Allen wrench.
- Step 4. To complete the installation, use the gaskets (part H) to cover the 4 exposed holes on the bottom of the base. This helps prevent direct contact with the floorboard and extends product life.

Cleaning

Clean with a damp cloth only.
Avoid using metal or abrasive polishes.