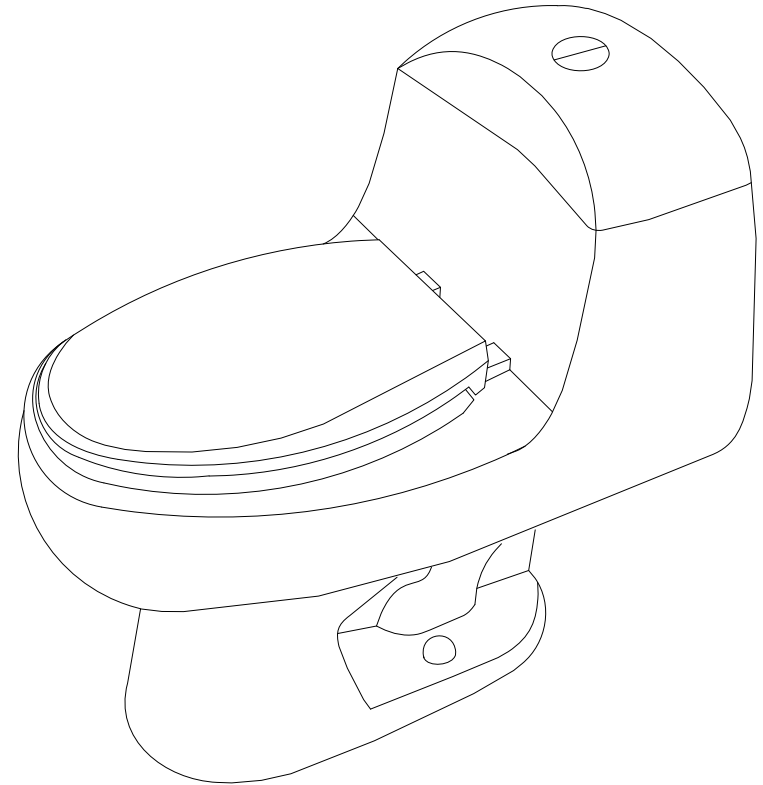


# ***KINGSTON BRASS***

**THE TRADITION OF FINE BRASS**



[www.kingstonbrass.com](http://www.kingstonbrass.com)

TOLL-FREE CUSTOMER SERVICE: 1-877-2-KBRASS

TECHNICAL SUPPORT E-mail: [service@kingstonbrass.com](mailto:service@kingstonbrass.com)

12775 Reservoir Street, Chino, CA 91710

# KINGSTON BRASS

THE TRADITION OF FINE BRASS

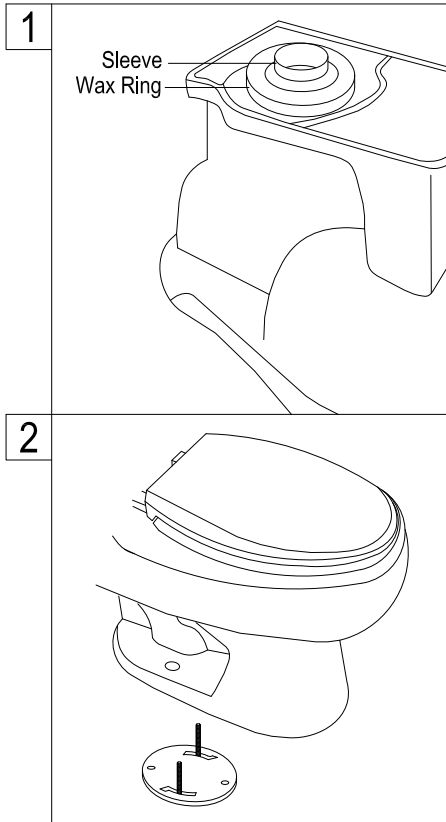
## INSTALLATION INSTRUCTIONS

### For Use Toilet

#### Remove Old Toilet :

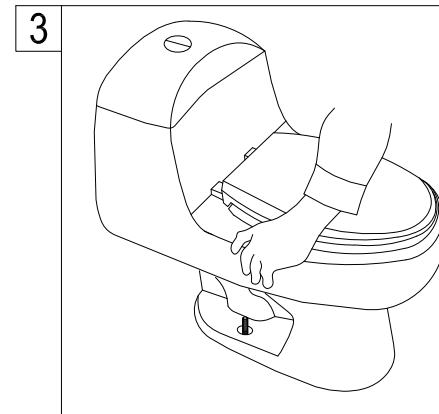
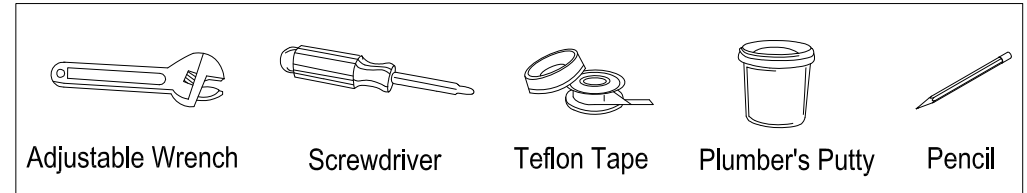
1. Close water supply line to toilet
2. Flush toilet until most of the water is drained, with a rag soak up as much of the remaining water as possible.
3. Remove bolt caps and unthread nuts, remove toilet and T-Bolts cover opening with a rag to prevent debris or tools from falling inside the drain.
4. Scrape remnants of the old wax ring by scraping with a spatula.

#### Installation New Toilet Step :

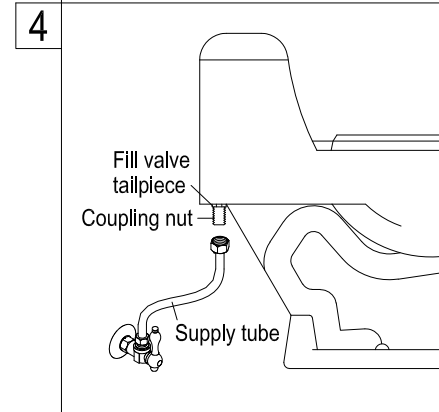


1. Set the bowl upside down on a soft surface Press the wax ring onto the toilet bottom outlet, remove the rag from the drain opening.
2. Carefully align the toilet with drain and lower making sure that T-Bolts protrude from holes of the bowl, apply firm and even pressure.

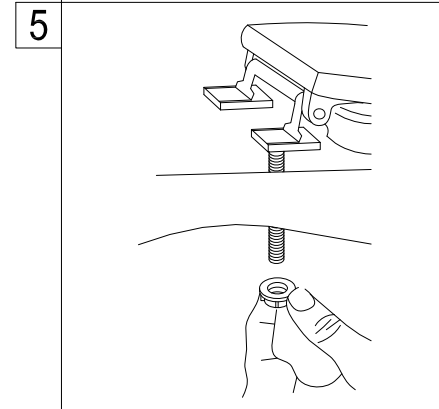
#### Need Tools:



3. Insert bolt bases washers and nuts onto bolts.  
Tighten bolts, alternating from side to side, should be bolts impede the installation of the cap, cut excess bolt length and file the edges.



4. Apply Teflon tape to toilet tank inlet and attach supply line.



5. Align Toilet seat with holes on the bowl, attach from below, do not over-tighten.