

# KINGSTON

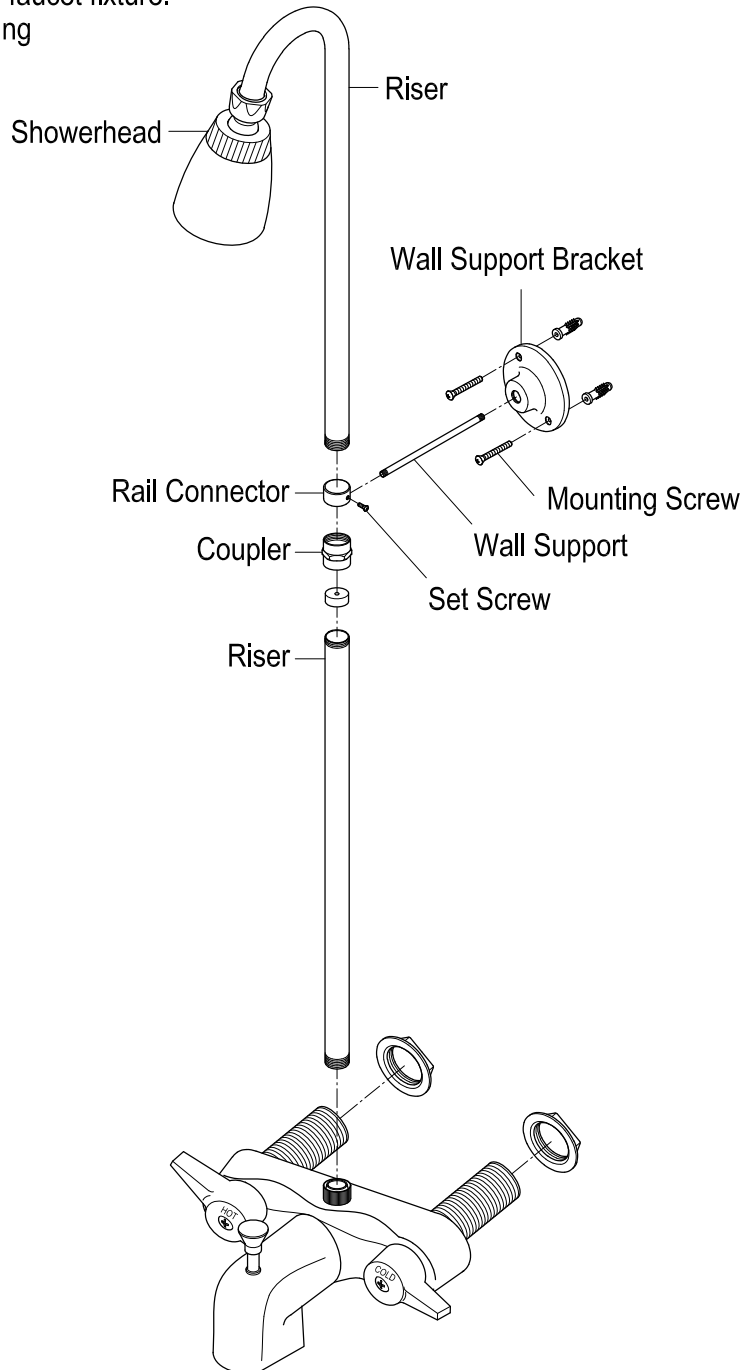
KITCHEN & BATH

## INSTALLATION INSTRUCTIONS

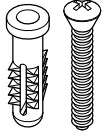

### Convert To Shower Unit

#### BEFORE BEGINNING INSTALLATION:

1. Flush plumbing lines to clear debris in pipe and plumbing lines to avoid existing clogs into waterway & cartridge system of new faucet fixture.
2. Shut off both supply lines after flushing



#### Parts:

Mounting Screw & Anchor	Set Screw
	
2 Pcs	1 Pc

[www.kingstonbrass.com](http://www.kingstonbrass.com)

TOLL-FREE CUSTOMER SERVICE: 1-877-2-KBRASS

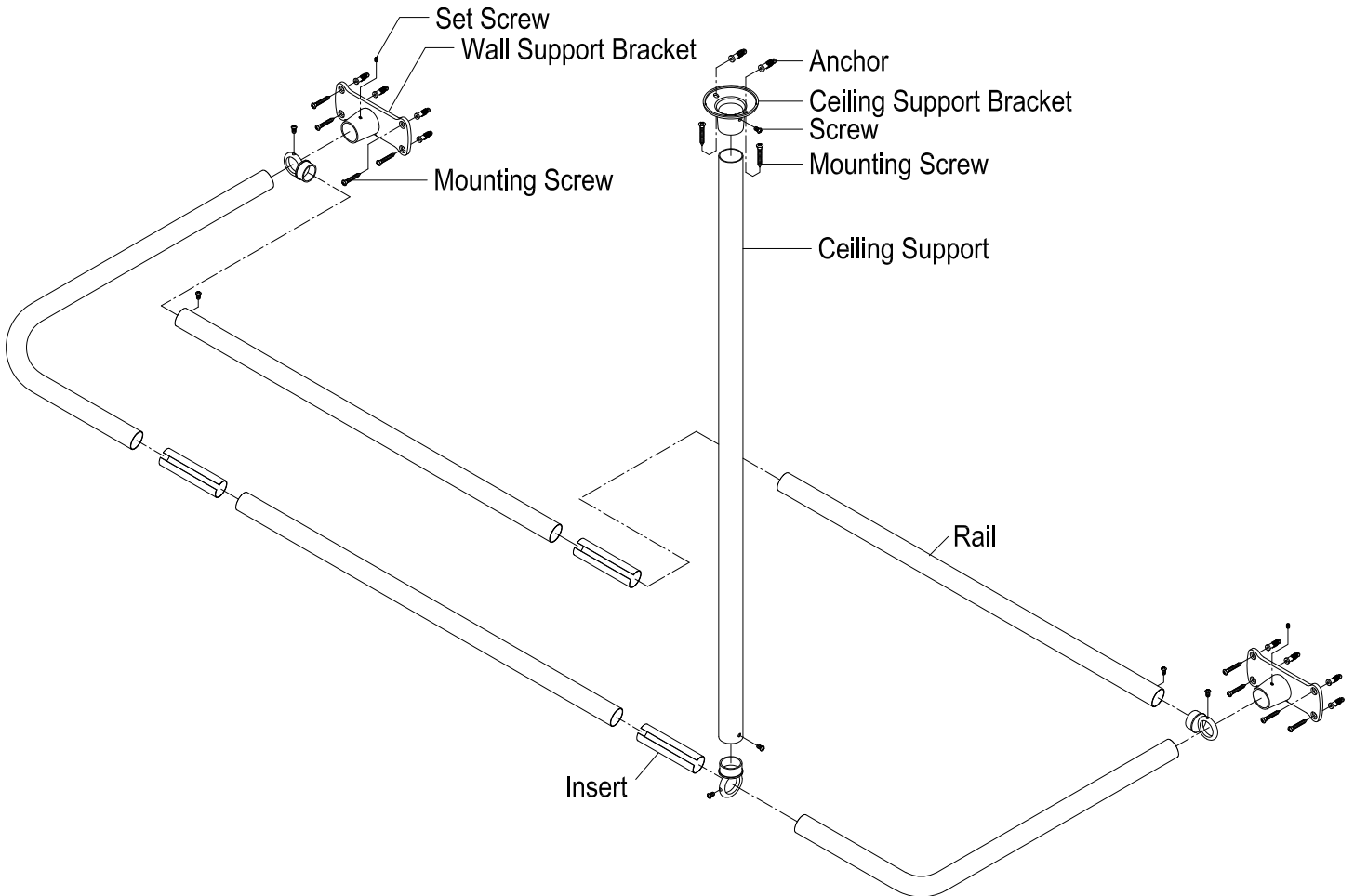
TECHNICAL SUPPORT E-mail: [service@kingstonbrass.com](mailto:service@kingstonbrass.com)

12775 Reservoir Street, Chino, CA 91710

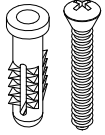

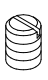
# KINGSTON

KITCHEN & BATH

## INSTALLATION INSTRUCTIONS D-Type Shower Rod Bath Supply



### Parts:

Mounting Screw & Anchor	Screw	Set Screw
		
10 Pcs	7 Pcs	2 Pcs

[www.kingstonbrass.com](http://www.kingstonbrass.com)

TOLL-FREE CUSTOMER SERVICE: 1-877-2-KBRASS

TECHNICAL SUPPORT E-mail: [service@kingstonbrass.com](mailto:service@kingstonbrass.com)

12775 Reservoir Street, Chino, CA 91710