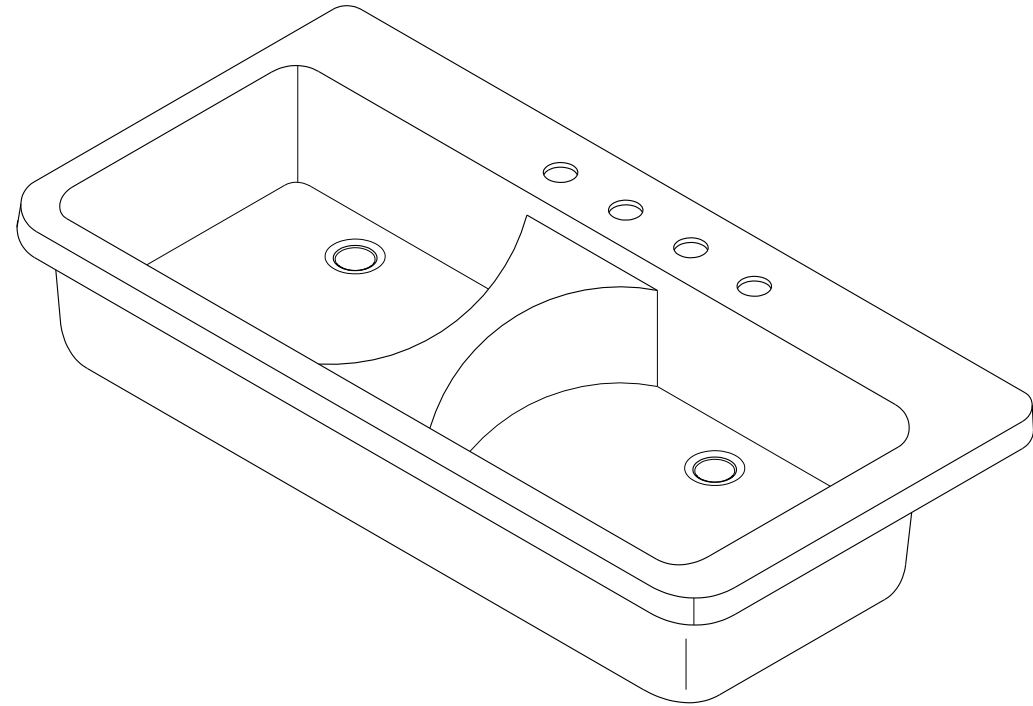


STEP 4  
Install faucet and strainer to sink, then install sink onto countertop.

STEP 5  
Apply silicone sealant where the sink meets the countertop.

STEP 6  
Finally run water into sink to check if any leaks

**GOURMETIER**<sup>TM</sup>  
**KINGSTON CREATION**



[www.kingstonbrass.com](http://www.kingstonbrass.com)  
TOLL-FREE CUSTOMER SERVICE: 1-877-2-KBRASS  
TECHNICAL SUPPORT E-mail: [service@kingstonbrass.com](mailto:service@kingstonbrass.com)  
12775 Reservoir Street, Chino, CA91710

# GOURMETIER™

## KINGSTON CREATION

### KINGSTON BRASS INSTALLATION INSTRUCTIONS SELF-RIMMING KITCHEN SINK

These instructions are for installing Kingston Brass Cast Iron Kitchen sinks.

#### Note:

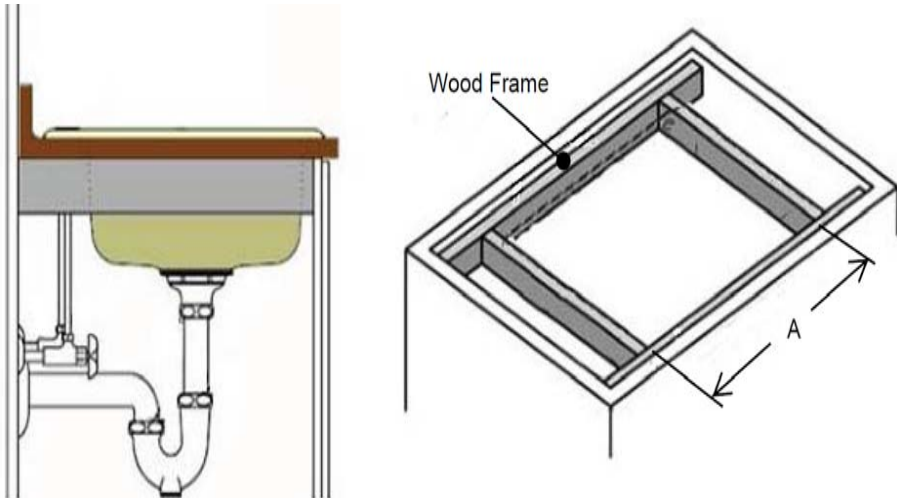
- It is recommended that all countertops be cut and installed by an approved or certified professional.
- Thoroughly inspect the product and all materials for any damage prior to installation. Do not install a damaged or defective unit.
- Responsibility with observing all local plumbing and building codes lies with the consumer.
- Warranty will be voided if the product has not been installed and maintained in accordance with all written instructions accompanying the product.

#### STEP 1

Attach the faucet and strainer to the sink before installing the sink if possible.

#### STEP 2

Make sure each side of wood frame is between the outside edges of A.



#### STEP 3

Using template mark on the countertop, drill pilot holes and cut the countertop opening, make sure sink fits through cutout in countertop and adjust cutout if need.

