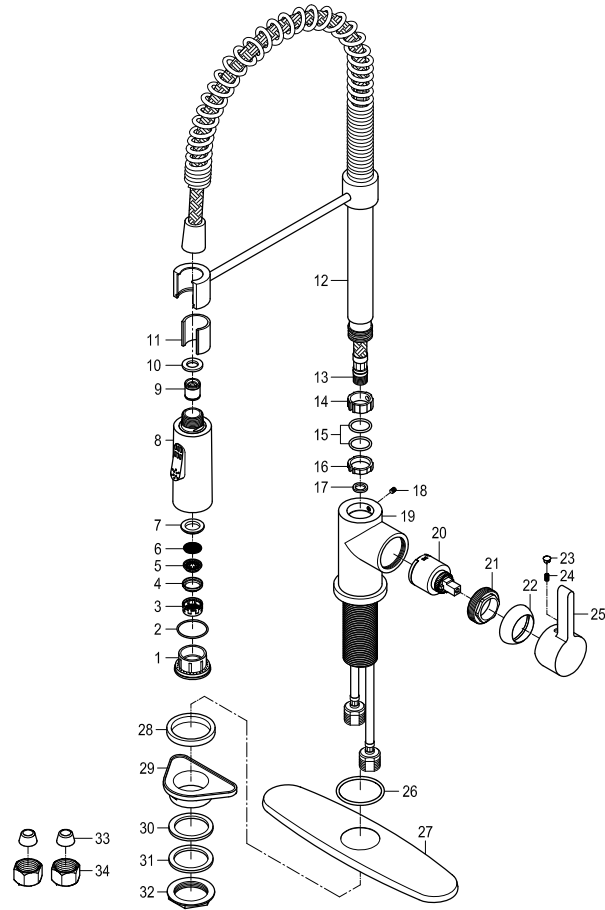
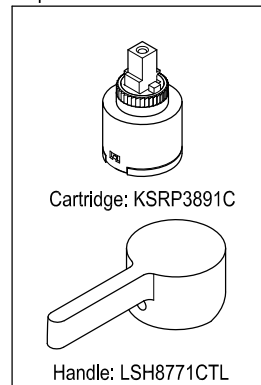


**Parts:**



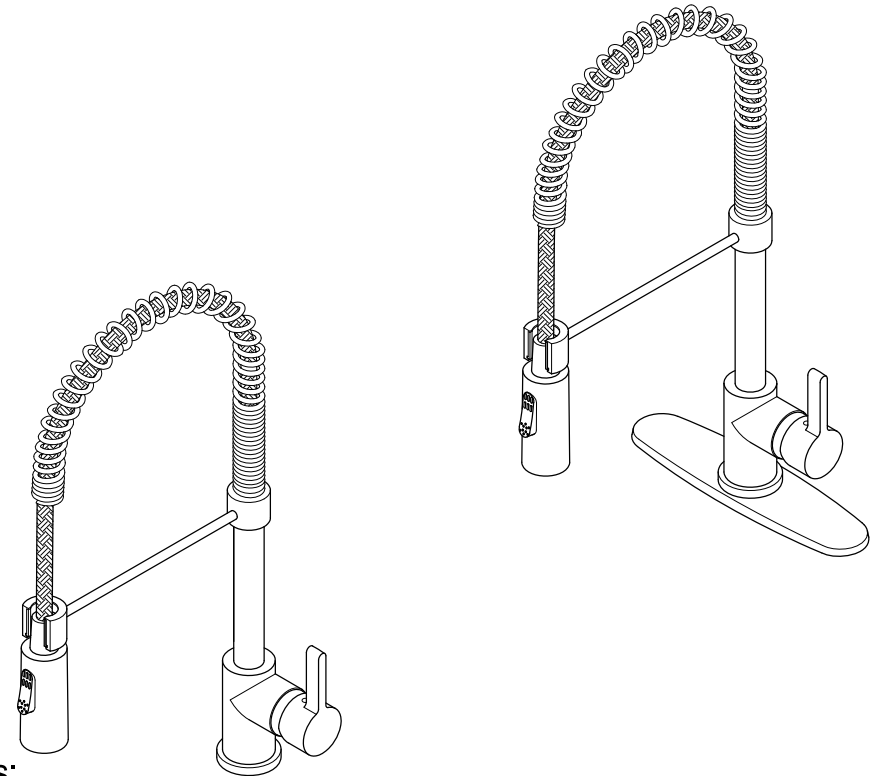
**Replacement Parts:**



Cartridge: KSRP3891C

Handle: LSH8771CTL

**GOURMETIER™**  
**KINGSTON CREATION**



**Parts:**

Washer & Lock Nut	Support	Cone Washer & Coupling Nut
1 Pc	1 Pc	2 Pcs

**CARE AND MAINTENANCE OF YOUR FAUCET**

Your Kingston Brass faucet has been finished to the most strict standards; however, due to the high content of minerals in the water, your finish may appear dull and tarnished after time. These are some do's and don'ts to maintain the luster on your faucet for many years to come.

**DO**

1. Use a silicon based caulking when installing.
2. Clean your faucet with only a mild soap and water solution.
3. Dry your faucet after using it.
4. Give it a coat of Carnuba Wax periodically.

**DON'T**

1. Use plumbers putty when installing the faucet.
2. Use any abrasive cleaning agents.

It may seem like a very simple and short list but it is that simple to maintain your faucet, looking shiny and new.

If your faucet is already looking somewhat dull and tarnished, before replacing it, try cleaning it with a 50/50 solution of vinegar and water, you may need to soak some rags and wrap around those stubborn areas, leave overnight and rinse completely in the morning, apply Carnuba wax once you have removed the mineral deposits.

**NOTICE**

Failure to follow all directions may cause leaks which may result in water damage

www.kingstonbrass.com  
TOLL-FREE CUSTOMER SERVICE: 1-877-2-KBRASS  
TECHNICAL SUPPORT E-mail: service@kingstonbrass.com  
12775 Reservoir Street, Chino, CA 91710

# GOURMETIER™

## KINGSTON CREATION

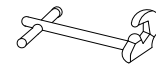
### INSTALLATION INSTRUCTIONS

#### Single Handle Pull-Down Kitchen Faucet

#### BEFORE BEGINNING INSTALLATION

1. Flush plumbing lines to clear debris in pipe and plumbing lines to avoid existing clogs into waterway & cartridge system of new faucet fixture.
2. Shut off both supply lines after flushing.
3. Recommended faucet hole diameter to be 1-1/2"

#### Need Tools:



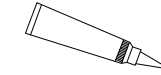
Basin Wrench



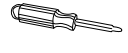
Adjustable Wrench



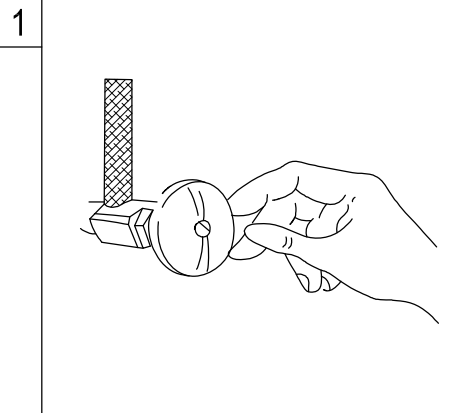
Teflon Tape



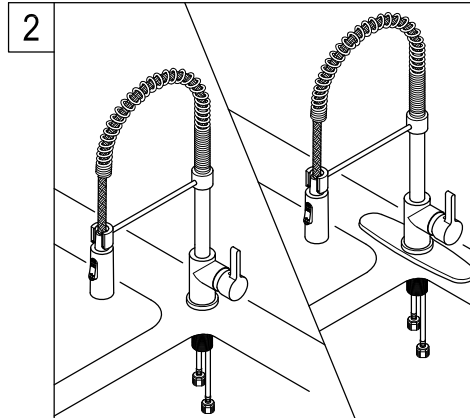
Silicone Sealant



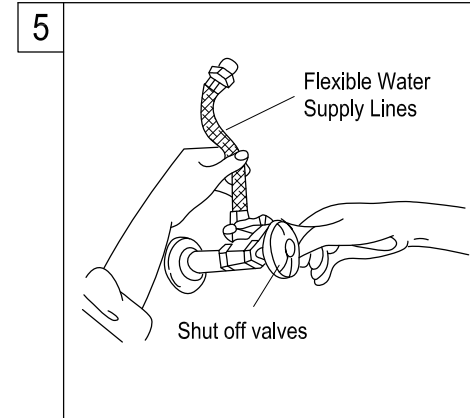
Screwdriver



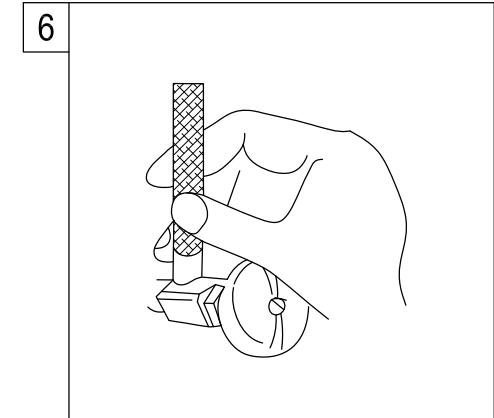
1. Shut off hot and cold water supply under sink. Plug sink drain with cloth to avoid losing small parts. Remove old faucet.



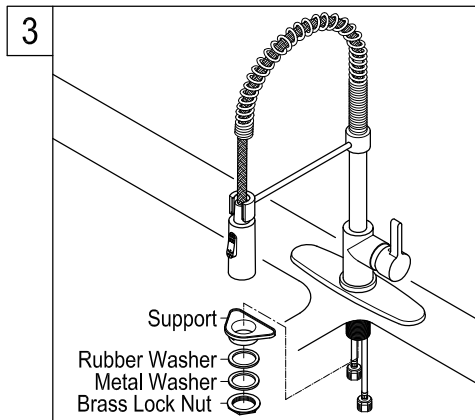
2. Place optional escutcheon or flange on bottom of new faucet before position faucet through mounting hole.



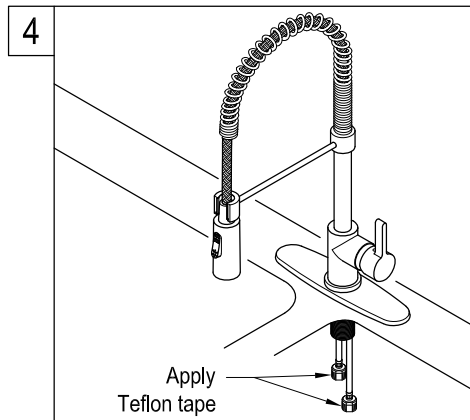
5. Apply Teflon tape to threads on faucet shank and shut off valves, connect water supply line.



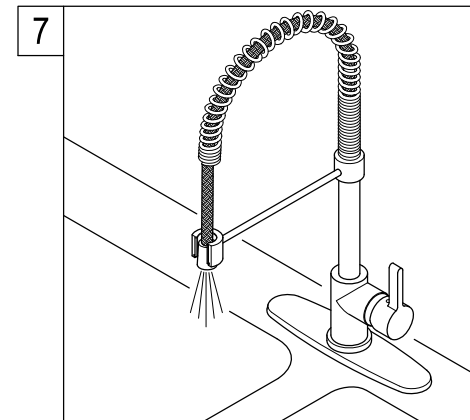
6. Turn on water supply valves and check for leaks, especially all supply line connections.



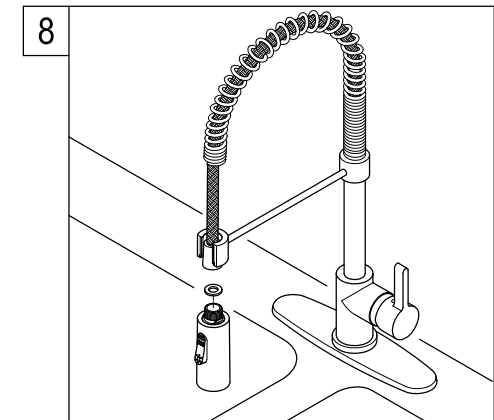
3. Secure the faucet to sink by installing rubber washer, steel washer and nut into it. Tighten with basin wrench.



4. Apply Teflon tape to inlet shanks and connect supply lines.



7. Pull the spray hose through the spout and secure the end into the drain, or have a secure party hold the spray hose, and turn on the faucet and flush for one minute.



8. Insert washer and attach spray head, insert spray head onto faucet body.

#### Warning!!!

- Do not over-tighten nut during installation.
- Over-tighten may crack the valve and cause severe leak.