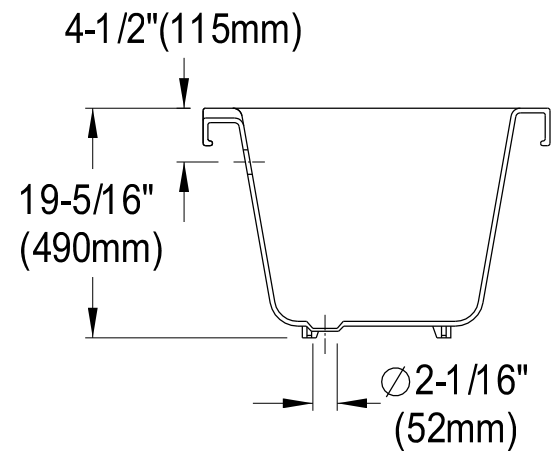
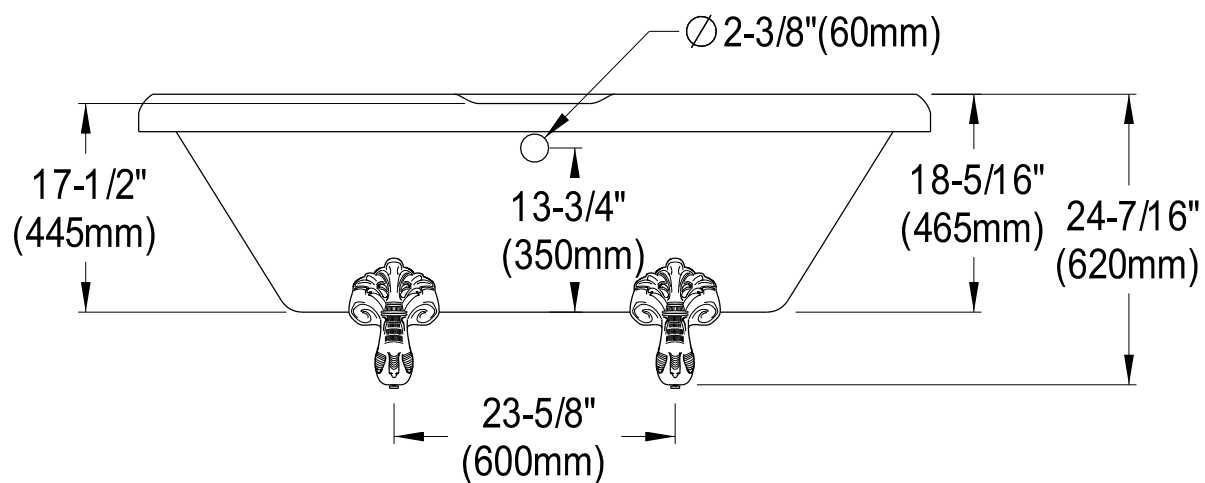
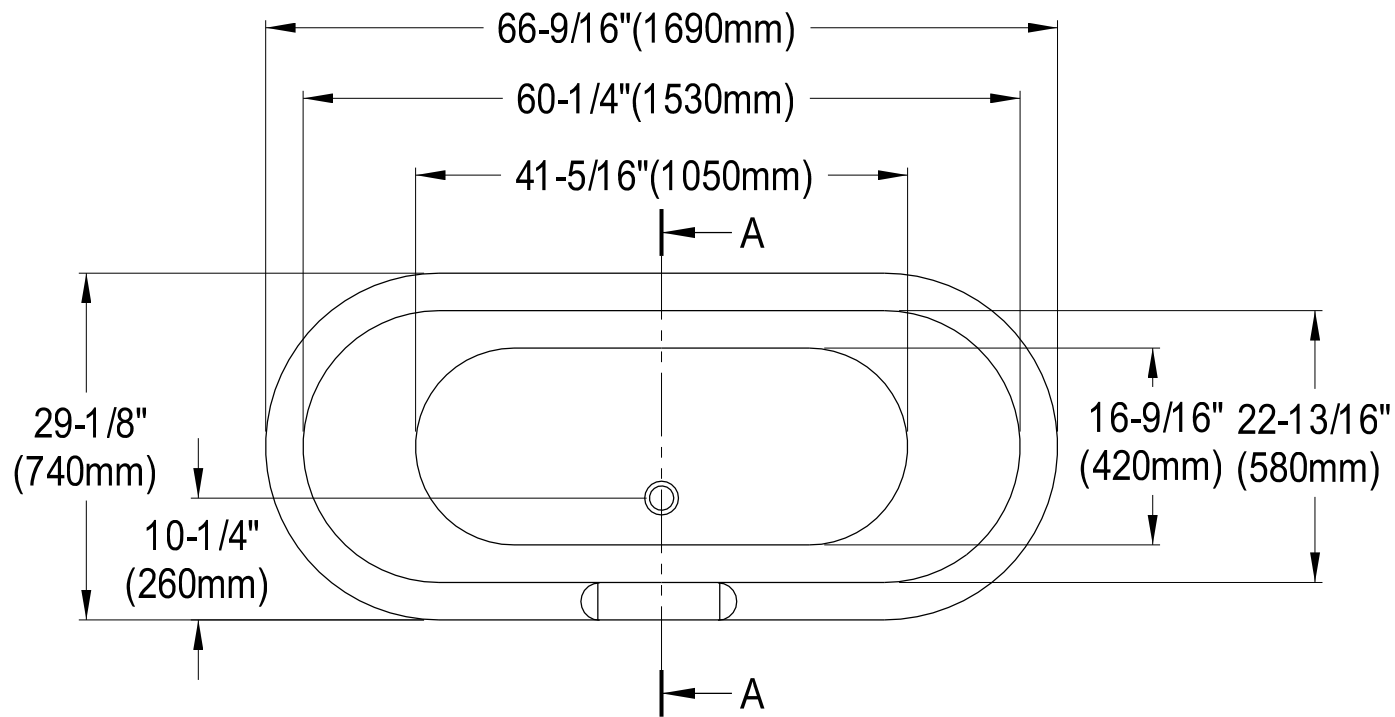


# VTDS672924H1,2,5,8

67" Acrylic Clawfoot Bathtub



**Section A-A**