

Project:
Type:
Ordering # :
Comments:

## 10758 WH

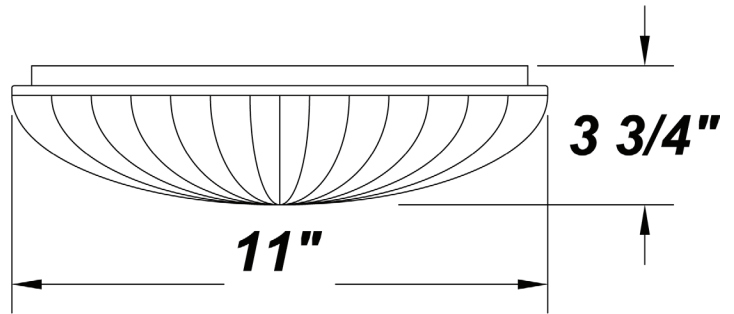


### FEATURES

- Aluminum Mounting Pan w/ Hi-Reflectance White Powder Coat Finish
- Luminous White Acrylic Diffuser
- Mounts Directly to 4" Junction Box (By Others)
- Mounting Hardware Included
- ADA Compliant
- CSA Listed Damp Location

### DIMMING FEATURES

- Dimmable to <5%
- Dimmable With Either Triac or Electronic Dimmers
- Over-Current, Over-Voltage and Short Circuit Protection
- Constant Current For Highest Efficiency
- Constant Current at 350 Milliamps
- UL Class 2 Driver - Power Factor >.90
- Estimated 50,000 Hours Life (L70)



## ORDERING INFORMATION

PRODUCT	SOURCE/WATTAGE	VOLTAGE	DIFFUSER	FINISH	OPTIONS
10758	L12.5 - (36) LED Array 50,000 Hours (L70)	120V - (50/60Hz) Please see "Options" Column for Driver Specifications	Not Applicable	Not Applicable	35K - 3500K Color Temp. (Standard)

### REPLACEMENT PARTS PART NO.

11" Frosted Ribbed Acrylic Diffuser

We reserve the right to revise the design or components of any product due to parts availability or change in UL standards, without assuming an obligation or liability to modify any products previously manufactured, and without notice.

### NOTES

ARRA 2009



BUY AMERICA ACT

ADA Compliant

