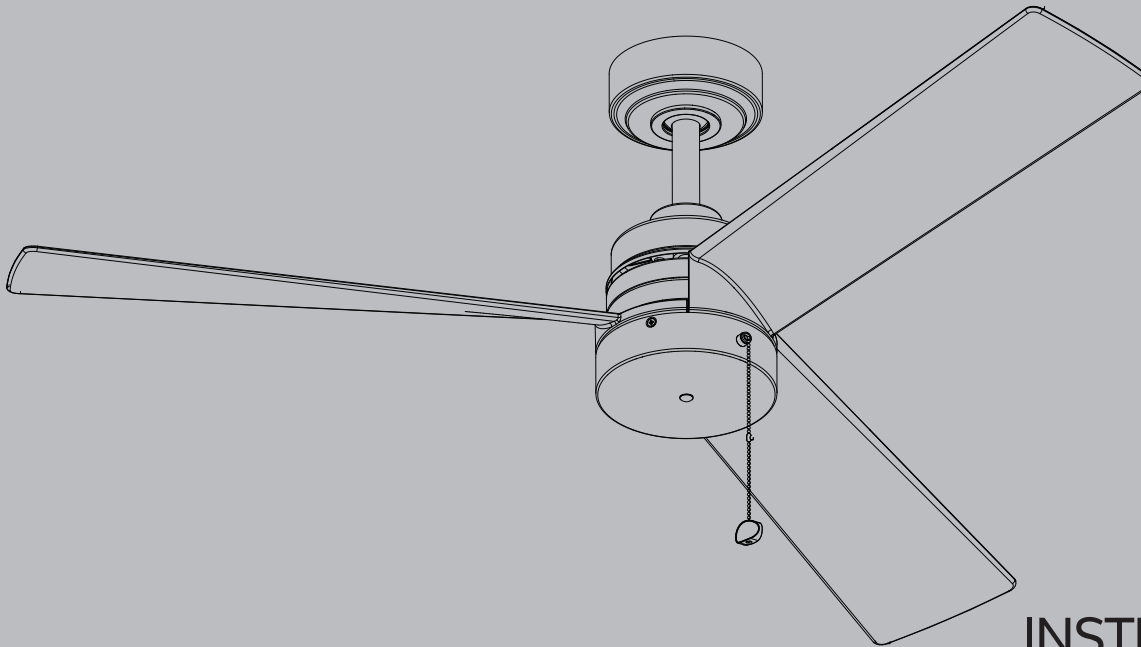


KICHLER®

52" Sbyn Lite

Product images may vary slightly from actual product.



READ AND SAVE THESE INSTRUCTIONS

INSTRUCTION MANUAL
Model#300375

TABLE OF CONTENTS

SAFETY RULES.....	4	FINISHING THE INSTALLATION	12
TOOLS REQUIRED.....	6	ATTACHING THE FAN BLADES	13
PACKAGE CONTENTS	6	INSTALLING THE SWITCH COVER.....	13
MOUNTING OPTIONS.....	7	INSTALLING THE SWITCH HOUSING	14
HANGING THE FAN.....	8	OPERATING INSTRUCTIONS	16
INSTALLATION OF SAFETY SUPPORT	10	TROUBLESHOOTING.....	17
MAKE THE ELECTRICAL CONNECTIONS	11		

SAFETY RULES

WARNING: FOR CANADA, THIS FAN MUST BE SECURED DIRECTLY TO THE BUILDING STRUCTURE / CEILING JOIST. DON'T SECURE THIS FAN TO AN OUTLET BOX.

1. **CAUTION - RISK OF SHOCK:** Disconnect Power at the main circuit breaker panel or main fusebox before starting and during the installation.
2. **WARNING:** All wiring must be in accordance with the National Electrical Code "ANSI / NFPA70" and local electrical codes. Electrical installation should be performed by a qualified licensed electrician.
3. **WARNING:** To reduce the risk of electric shock, this fan must be installed with a general-use, isolating wall control / switch.
4. **WARNING:** Not suitable for use with solid-state speed controls.
5. **WARNING:** To reduce the risk of fire, electric shock, or personal injury, mount to outlet box marked "acceptable for fan support of 15.9 kg (35 lbs.) or less" and use mounting screws provided with the outlet box. Most outlet boxes commonly used for the support of light fixtures are not acceptable for fan support and may need to be replaced. Due to the complexity of the installation of this fan, a qualified licensed electrician is strongly recommended.
6. The outlet box and support structure must be securely mounted and capable of reliably supporting a minimum of 15.9 kg (35 pounds). Use only cULus Listed outlet boxes marked "Acceptable for Fan Support of 15.9 kg (35 lbs) or less".
7. The fan must be mounted with a minimum of 2.1m (7 feet) clearance from the trailing edge of the blades to the floor.
8. **WARNING:** Do not operate reversing switch while fan blades are in motion. Fan must be turned off and blades stopped before reversing blade direction.
9. Avoid placing objects in the path of the blades.
10. **WARNING:** make sure the power is disconnected before cleaning your fan.

SAFETY RULES (CONTINUED)

11. To avoid personal injury or damage to the fan and other items, be cautious when working around or cleaning the fan.
12. Do not use water or detergents when cleaning the fan or fan blades. A dry dust cloth or lightly dampened cloth will be suitable for most cleaning.
13. After making electrical connections, spliced conductors should be turned upward and pushed carefully up into outlet box. The wires should be spread apart with the grounded conductor and the equipment-grounding conductor on one side of the outlet box and the ungrounded conductor on the other side of the outlet box.
14. Electrical diagrams are reference only. Light kits that are not packed with the fan must be cULus Listed and marked suitable for use with the model fan you are installing. Switches must be cULus General Use Switches. Refer to the Instructions packaged with the light kits and switches for proper assembly.
15. All set screws must be checked, and retightened where necessary, before installation.

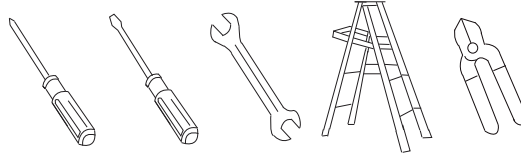
16. N.W.6.5 KGS(14.33 LBS) / G.W.7.8 KGS(17.19LBS)

WARNING

TO REDUCE THE RISK OF PERSONAL INJURY, DO NOT BEND THE BLADES DURING ASSEMBLY OR AFTER INSTALLATION. DO NOT INSERT OBJECTS IN THE PATH OF THE BLADES.

TOOLS REQUIRED

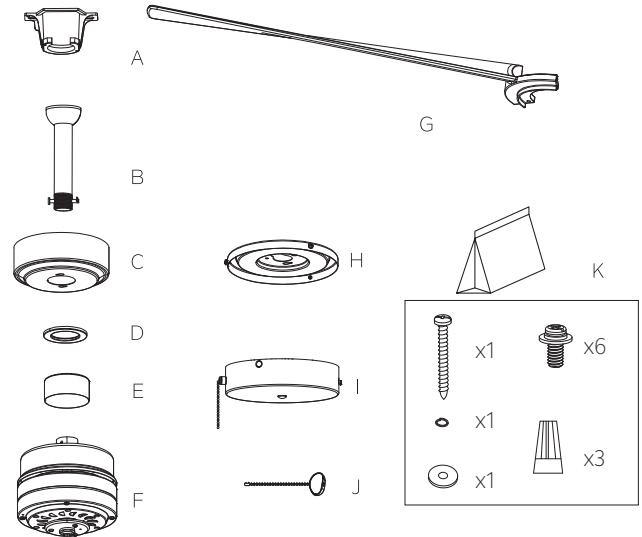
- Phillips screwdriver
- Blade screwdriver
- 11 mm wrench
- Step ladder
- Wire cutters



PACKAGE CONTENTS

Unpack your fan and check the contents. You should have the following items:

- | | |
|---------------------------------|-------------------------------|
| A. Mounting Bracket | K. Package Hardware |
| B. Ball / Downrod Assembly | 1) Mounting Hardware: |
| C. Canopy | Wire Connectors (3) |
| D. Canopy Trim Ring | 2) Blade Attachment Hardware: |
| E. Coupling Cover | Fan Blade Mounting Screws |
| F. Motor Body | and washers (6) |
| G. Fan Blades (3) | 3) Safety Cable Hardware: |
| H. Switch Cover | Wood Screw (1), |
| I. Switch Housing | Spring Washer (1), |
| J. Pull Chain Extension and Fob | Flat Washer (1) |



MOUNTING OPTIONS

If there isn't an existing UL (cUL for Canadian Installation) listed mounting box, then read the following instructions. Disconnect the power by removing fuses or turning off circuit breakers.

Secure the outlet box directly to the building structure. Use appropriate fasteners and building materials. The outlet box and its support must be able to fully support the full weight of the fan (up to 15.9 kg (35 pounds)). Do not use plastic outlet boxes.

Figures 1, 2 and 3 are examples of different ways to mount the outlet box.

NOTE: If you are installing the ceiling fan on a sloped (vaulted) ceiling, you may need a longer downrod to maintain proper clearance between the tip of the blade and the ceiling. A minimum clearance of 12" is suggested for optimal operation.

NOTE: Depending on the location you have selected for installation, you may need to purchase and install a "Joist Hanger" for the support of the outlet box. Make sure the joist hanger you purchase has been designed for use with ceiling fans. (Fig. 4)

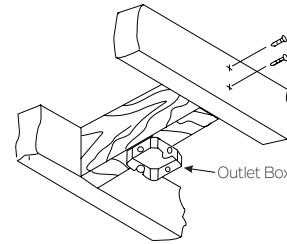


Fig. 1

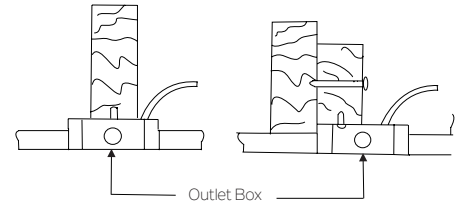


Fig. 2

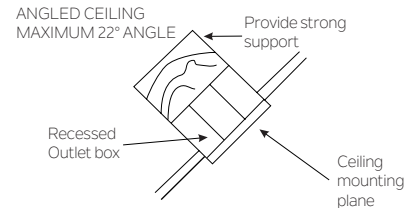


Fig. 3

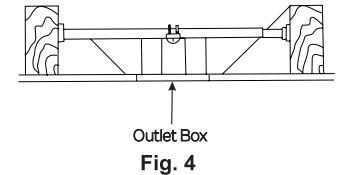


Fig. 4

HANGING THE FAN

CAUTION: To avoid possible electrical shock, be sure you have turned off the power at the main circuit panel.

REMEMBER to turn off the power before you begin installation. This is necessary for your safety .

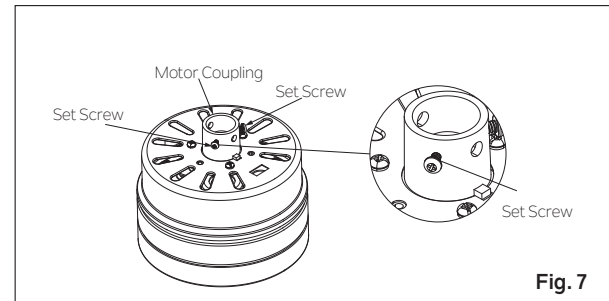
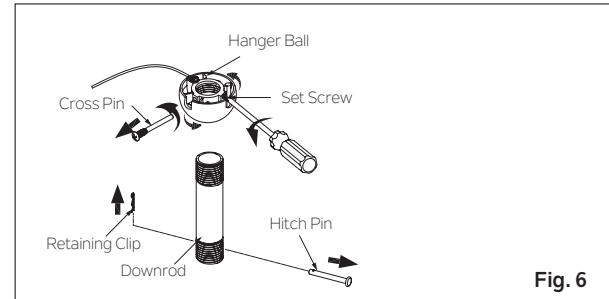
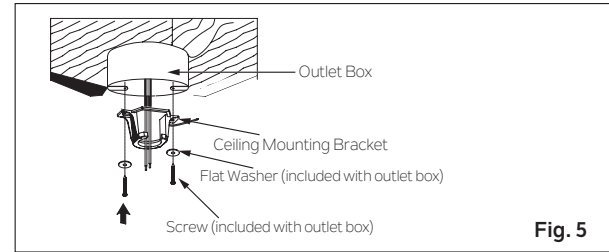
To properly install your ceiling fan, follow the steps below.

Step 1. Before attaching fan to outlet box (not included), ensure the outlet box is securely fastened to at least two points to a structural ceiling member (a loose box will cause the fan to wobble). Pass the 120 volt supply wires from the ceiling outlet box through the center of the ceiling mounting bracket. Install mounting bracket to outlet box in ceiling using the screws and washers included with the outlet box. **(Fig. 5)**

Step 2. Remove the retaining clip and hitch pin from the downrod assembly. Remove the hanger ball from the downrod assembly by loosening the set screw on the hanger ball (do not remove), unscrewing and removing the cross pin, and unscrewing the hanger ball (counterclockwise) from the downrod. **(Fig. 6)**

NOTE: Make sure to keep removed hardware separate to avoid confusion during installation.

Step 3. Loosen the two set screws (do not remove) on the motor coupling. **(Fig. 7)**



HANGING THE FAN (CONTINUED)

Step 4. Carefully feed fan wires and safety cable up through the downrod. Thread the downrod into the motor coupling until the hitch pin holes are aligned. Next, replace the hitch pin and retaining clip.

NOTE: Be careful not to jam the hitch pin against the wiring inside of the downrod. Tighten both set screws. (Fig. 8)

Step 5. Slip the coupling cover, canopy trim ring (smooth finished side facing motor body) and canopy onto the downrod. Carefully reinstall the hanger ball onto the downrod. Carefully reinstall the cross pin through the hanger ball and downrod.

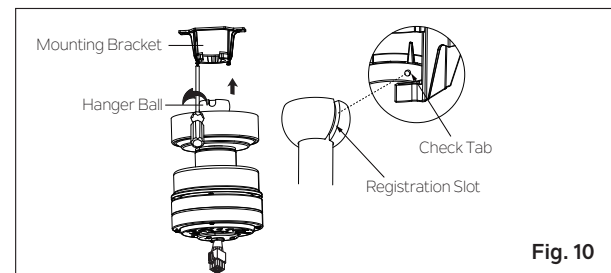
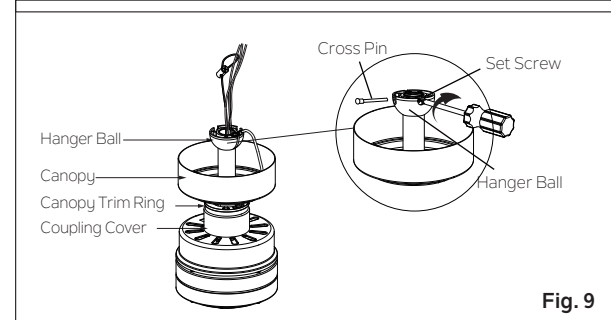
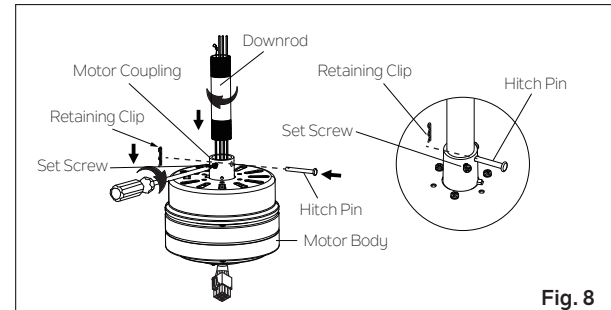
NOTE: Be careful not to jam the cross pin against the wiring inside of the downrod.

Make sure the cross pin is in the correct position. Tighten the cross pin. Tighten the set screw on the hanger ball. Make sure the wires are not twisted. (Fig. 9)

Step 6. Lift the motor body into position and place the hanger ball into the mounting bracket. Rotate the entire assembly until the "Check Tab" has dropped into the "Registration Slot" and seats firmly. (Fig. 10)

The entire motor body should not rotate if this is done correctly.

WARNING: Failure to reattach the cross pin and seat the "Check Tab" can cause the fan to fall from the ceiling during operation. Take special care to make sure this pin is reattached.



INSTALLATION OF SAFETY SUPPORT (Required For Canadian Installation Only)

A safety support cable is provided to help prevent the ceiling fan from falling, please install it as steps below.

Step1. Slip the spring washer, then the flat washer onto the wood screw, then drive the wood screw into the side of the brace that holds the outlet box. Leave 3mm (1/8") of space between the support brace and the flat washer. (Fig.11)

Step2. Insert the safety cable through the mounting bracket and one of the holes in the outlet box into the ceiling. Adjust the length of the safety cable to reach the screw and flat washer by pulling the extra cable through the cable clamp until the overall length is correct, put the end of the cable back through the cable clamp, forming a loop at the end of the cable. Tighten the cable clamp securely. Now, put the loop in the end of the safety cable over the wood screw and under the flat washer. Tighten the wood screw securely. (Fig.12)

NOTE: Although the safety support cable is required for Canadian installations only, it is a good idea to make the attachment with any installation.

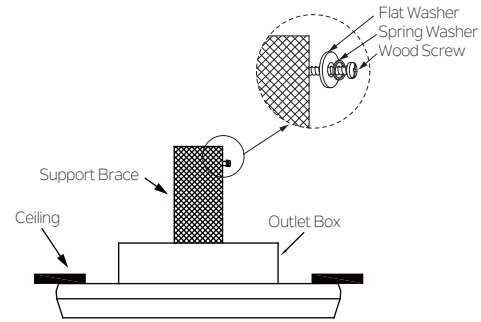


Fig. 11

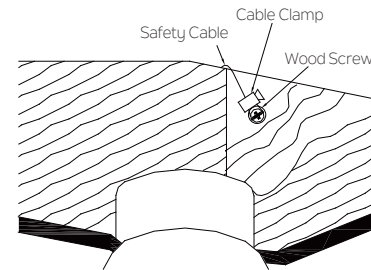


Fig. 12

MAKE THE ELECTRICAL CONNECTIONS

WARNING: To avoid possible electrical shock, be sure you have turned off the power at the main circuit panel before wiring. Follow the steps below to connect the fan to your household wiring. Use the wire connectors supplied with your fan. Secure the connectors with electrical tape. Make sure there are no loose wire strands or connections.

WARNING: If your house wires are in different colors than referenced in this manual, stop immediately. A professional electrician is recommended to determine proper wiring.

WARNING: Check to see that all connections are tight, including ground, and that no bare wire is visible at the wire connections.

- Step 1.** Connect the fan supply (black) wire and light supply (blue) wire to the household supply (black) wire as shown in **Figure 13**.
- Step 2.** Connect the neutral fan (white) wire to the neutral household (white) wire.
- Step 3.** Connect the fan ground wire (yellow/green) to the household ground wire.
- Step 4.** After connecting the wires, turn the wire connecting nuts upward, and push the wiring into the outlet box. Spread them apart so that the green (ground) and white (neutral) wires are on one side of the outlet box and the black (hot) wires are on the other side.

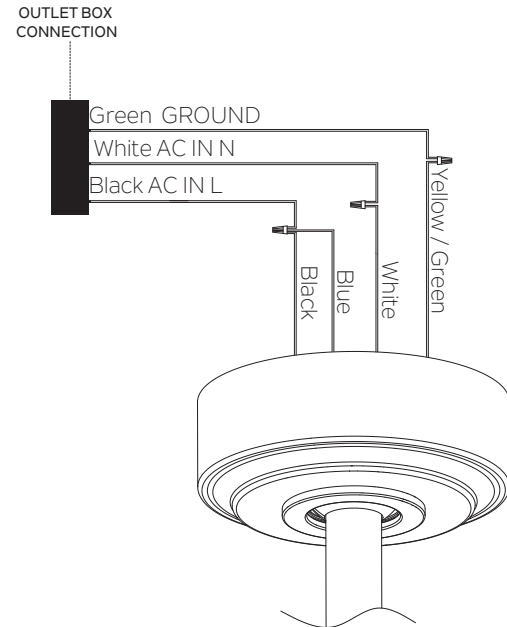


Fig. 13

FINISHING THE INSTALLATION

CAUTION: Before continuing installation, confirm that the power is still turned off at the main circuit breaker or by removing the circuit fuse. Turning the power off using a wall switch is not sufficient to prevent electrical shock.

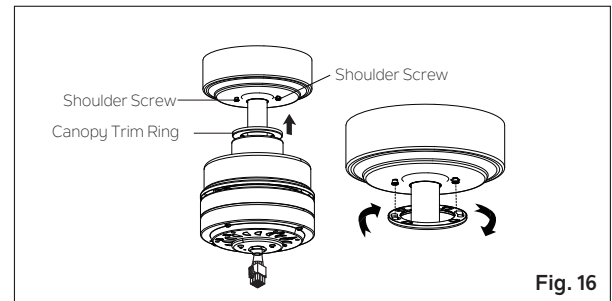
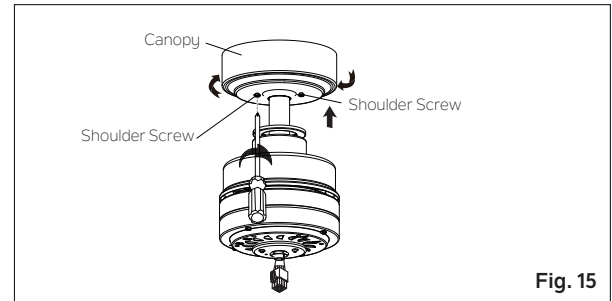
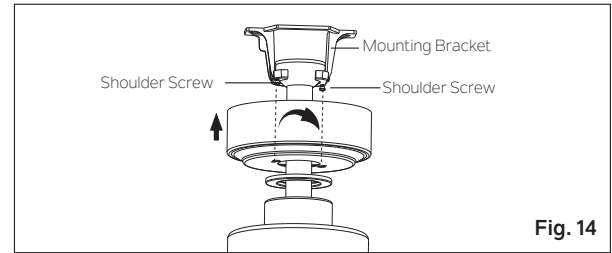
Step 1. Loosen the two shoulder screws at the bottom of the mounting bracket. (do not remove). (Fig. 14)

Step 2. Raise the canopy to the mounting bracket. Place the key hole slots in the canopy over the shoulder screws in the mounting bracket. Rotate the canopy (clockwise) until the canopy locks in place against the shoulder screws (at the narrow ends of the key hole slots). Tighten the two shoulder screws to secure the canopy in place. (Fig. 15)

WARNING: Make sure the "Check Tab" at the bottom of the ceiling mounting bracket is properly seated in the "Registration Slot" on the side of the hanger ball before attaching the canopy to the ceiling mounting bracket.

Step 3. Raise the canopy trim ring to the canopy. Place the key hole slots in the canopy trim ring over the heads of the shoulder screws. Rotate the canopy trim ring (clockwise) until it locks in place against the shoulder screws (at the narrow ends of the key hole slots). (Fig. 16)

NOTE: Adjust the shoulder screws as necessary until the canopy and canopy trim ring are snug. (Fig. 16)



ATTACHING THE FAN BLADES

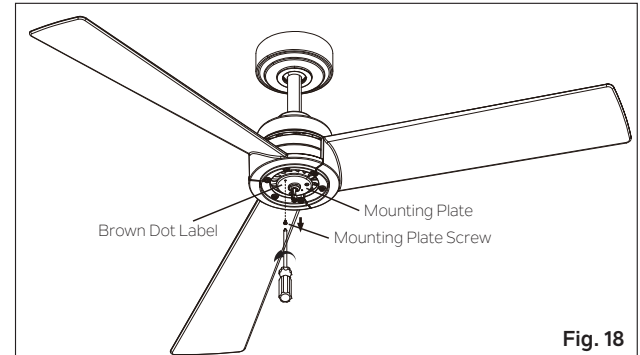
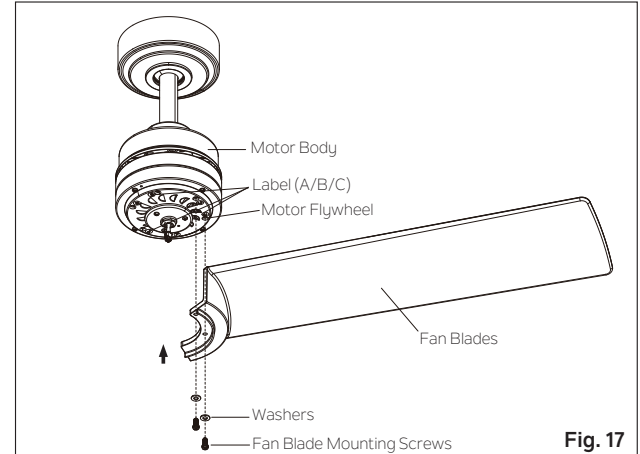
CAUTION: Before continuing installation, confirm that the power is still turned off at the main circuit breaker or by removing the circuit fuse. Turning the power off using a wall switch is not sufficient to prevent electrical shock.

Step 1. NOTE: The holes in the fan blades and the holes in the motor flywheel are marked "A", "B", or "C". Line up the holes in the fan blades with the holes in the motor flywheel (Line up A to A, B to B, and C to C). Attach fan blades to the flywheel with the washers and fan blade mounting screws provided. Tighten to secure. **(Fig. 17)**

INSTALLING THE SWITCH COVER

CAUTION: Before continuing installation, confirm that the power is still turned off at the main circuit breaker or by removing the circuit fuse. Turning the power off using a wall switch is not sufficient to prevent electrical shock.

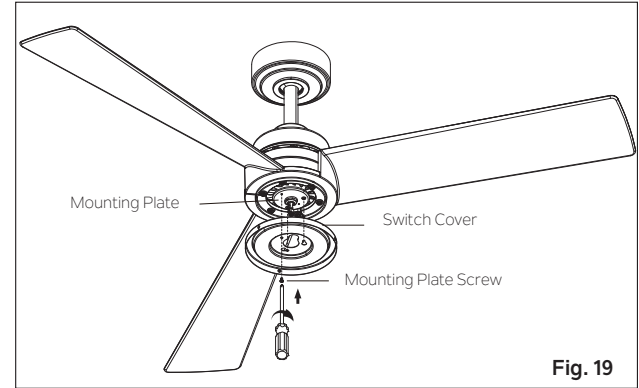
Step 1. Remove the mounting plate screw that is marked with a brown dot label from the mounting plate. Retain mounting plate screw. Loosen the other two mounting plate screws (do not remove). **(Fig. 18)**



INSTALLING THE SWITCH COVER (CONTINUED)

Step 2. Place the key hole slots in the switch cover over the 2 mounting plate screws that were loosened on the mounting plate. Rotate the switch cover (clockwise) until it locks in place against the mounting plate screws at the narrow ends of the key hole slots.

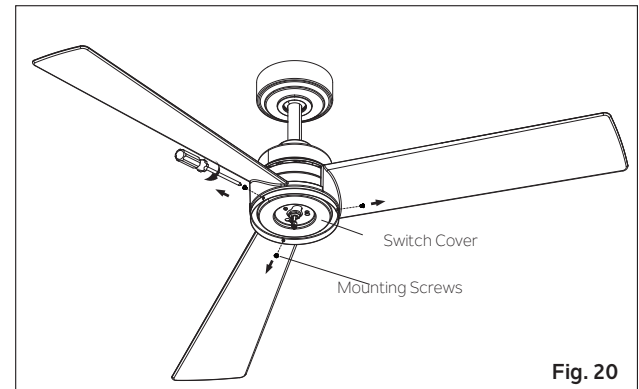
Align the remaining hole in the switch cover with the remaining hole in the mounting plate. Install the mounting plate screw that was removed from the mounting plate into the aligned holes. Tighten all 3 mounting plate screws to secure the switch cover in place. **(Fig.19)**



INSTALLING THE SWITCH HOUSING

CAUTION: Before continuing installation, confirm that the power is still turned off at the main circuit breaker or by removing the circuit fuse. Turning the power off using a wall switch is not sufficient to prevent electrical shock.

Step 1. Remove the three preinstalled mounting screws from the outside edge of the switch cover. Retain mounting screws. **(Fig. 20)**



INSTALLING THE SWITCH HOUSING (CONTINUED)

Step 2. Raise the switch housing close to the fan, and push the square wire connectors together (one from the fan and one from the switch housing).
(Fig.21)

NOTE:The connectors will ONLY engage when the color coded strips are matched (aligned).

Step 3. Carefully push all the wires into the switch housing. Attach the switch housing to the switch cover with the mounting screws that were removed in Step 1. Make sure each screw is tight. **(Fig. 21)**

Step4. Install the pull chain extension and fob. **(Fig. 22)**

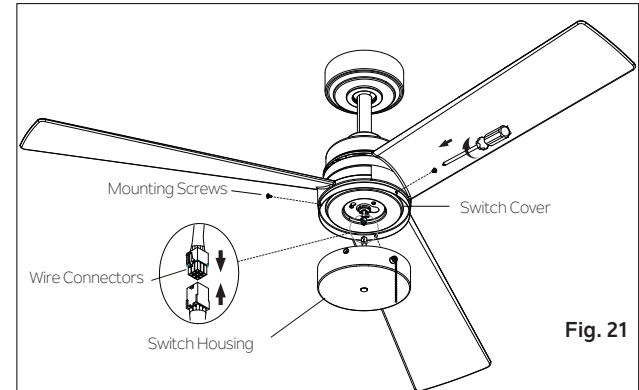


Fig. 21

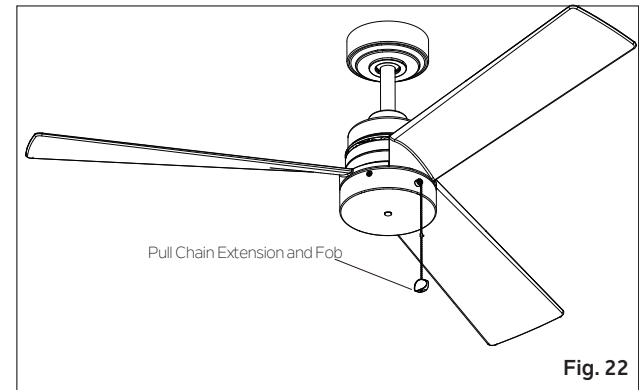


Fig. 22

OPERATING INSTRUCTIONS

Turn the power on and check the operation of your ceiling fan. The pull chain controls the 3 speeds of your ceiling fan. **(Fig. 23)**

1st pull = High, 2nd pull = Medium, 3rd pull = Low and the 4th pull turns the fan motor off.

WARNING: Do not operate reversing switch while fan blades are in motion. Fan must be turned off and blades stopped before reversing blade direction.

The switch on the side of the switch housing controls the direction of the fan blades, "Forward" or "Reverse". **(Fig. 23)**

Warm Weather Operation: Forward (fan rotates counter clockwise). A downward airflow creates a cooling effect **(Fig. 24)**. This allows you to set your air conditioner on a warmer setting without affecting your general comfort.

Cool Weather Operation: Reverse (fan rotates clockwise). An upward airflow moves warm air off the ceiling areas **(Fig. 25)**. This allows you to set your heating unit on a cooler setting without affecting your general comfort.

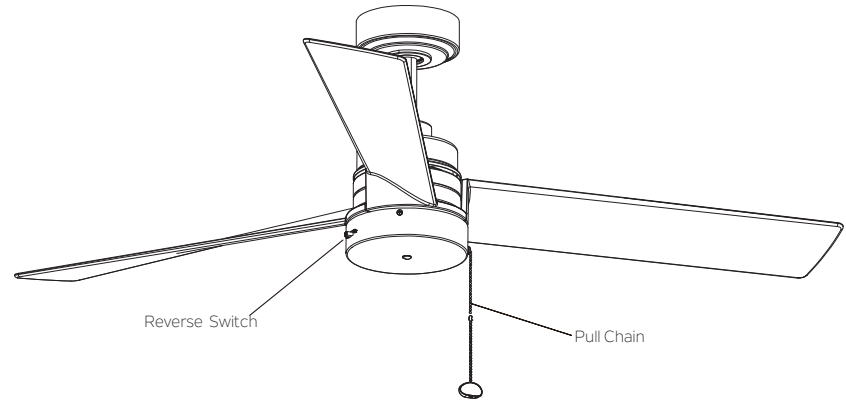


Fig. 23

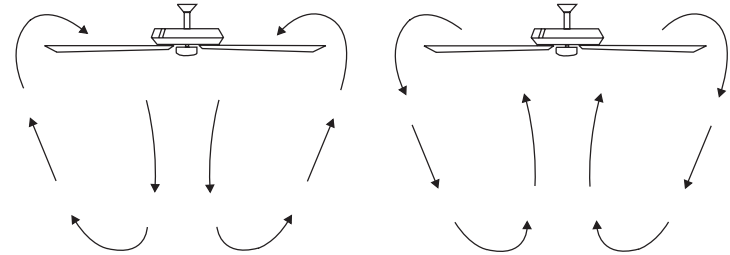


Fig. 24

Fig. 25

TROUBLESHOOTING

Problem

Solution

Fan will not start.

1. Check circuit fuses or breakers.
2. Check all electrical connections to ensure proper contact.

CAUTION: Make sure the main power is OFF when checking any electrical connection.

Fan sounds noisy.

1. Make sure all motor housing screws are snug.
2. Make sure the screws that attach the fan blade brackets to the motor are tight.
3. Make sure wire nut connections are not rubbing against each other or the interior wall of the switch housing.

CAUTION: Make sure main power is off.

4. Allow a 24-hour “breaking-in” period. Most noise associated with a new fan disappears during this time.
5. If using an optional light kit, make sure the screws securing the glassware are tight. Make sure the light bulbs are not touching any other component.
6. Do not connect this fan to a wall mounted variable speed control(s). They are not compatible with ceiling fan motors or remote controls.
7. Make sure the upper canopy is a short distance from the ceiling. It should not touch the ceiling.

Fan wobble.

1. Check that all blade and blade arm screws are secure.
2. Most fan wobbling problems are caused when blade levers are unequal. Check this level by selecting a point on the ceiling above the tip of one of the blades. Measure this distance. Rotate the fan until the next blade is positioned for measurement. Repeat for each blade. The distance deviation should be equal within 1/8”.
3. If the blade wobble is still noticeable, interchanging two adjacent (side by side) blades can redistribute the weight and possibly result in smoother operation.

WARNING: To reduce the risk of personal injury and to ensure the proper operation of your ceiling fan, never attach the blade assemblies until the ceiling fan has been mounted on the ceiling. Do not bend the blade while installing, Balancing or cleaning the fan. Do not Insert foreign objects between rotating fan blades.

KICHLER®

www.kichler.com

KICHLER LIGHTING LLC

30455 Solon Rd.

Solon, OH 44139 USA.

CUSTOMER SERVICE 866.558.5706

8:00 AM TO 5:00 PM EST, MONDAY - FRIDAY

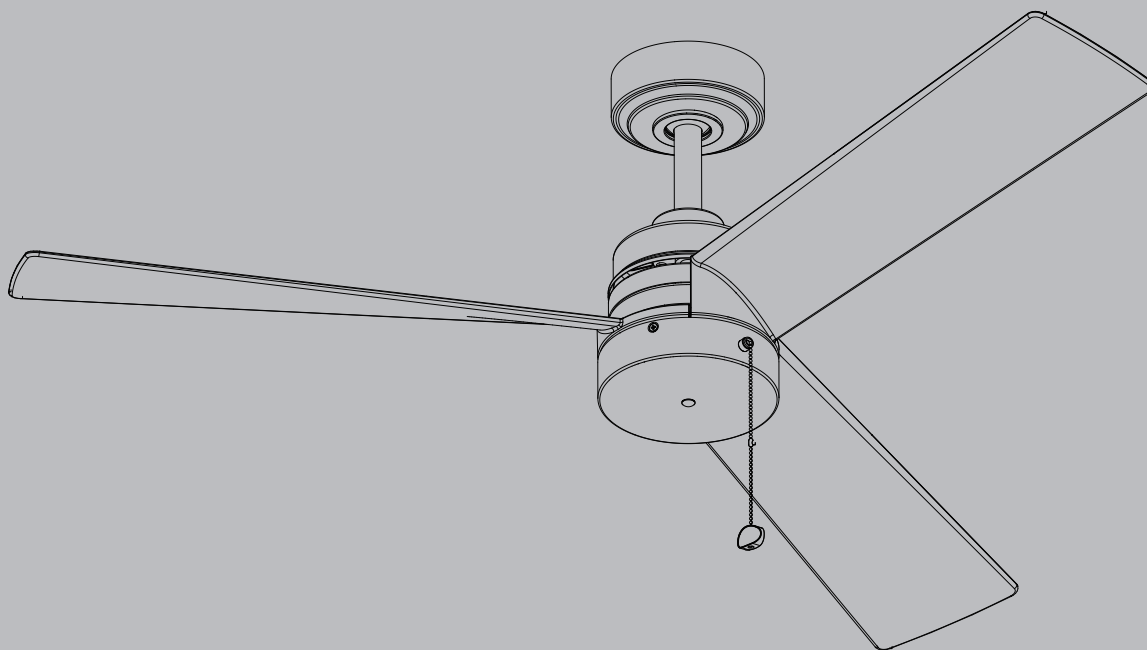
REV. 14-NOV-2023

© Kichler Lighting LLC. All Rights Reserved.

KICHLER®

Sbyn Lite de 52 po

Les images du produit peuvent varier légèrement du produit réel.



LISEZ ET CONSERVEZ CES INSTRUCTIONS

MANUEL D'INSTRUCTIONS
Modèle n° 300375

TABLE DES MATIÈRES

RÈGLES DE SÉCURITÉ.....	4	FIN DE L'INSTALLATION	12
OUTILS NÉCESSAIRES.....	6	FIXATION DES PALES DU VENTILATEURS	13
CONTENU DU COLIS.....	6	INSTALLATION DU COUVERCLE DU COMMUTATEUR.....	13
OPTIONS DE MONTAGE.....	7	INSTALLATION DU BOÎTIER DE COMMUTATEUR	14
SUSPENDRE LE VENTILATEUR.....	8	INSTRUCTIONS D'UTILISATION	16
INSTALLATION DU SUPPORT DE SÉCURITÉ	10	DÉPANNAGE.....	17
EFFECTUER LES RACCORDEMENTS ÉLECTRIQUES	11		

RÈGLES DE SÉCURITÉ

AVERTISSEMENT : POUR LE CANADA, CE VENTILATEUR DOIT ÊTRE FIXÉ DIRECTEMENT À LA STRUCTURE DU BÂTIMENT OU À LA SOLIVE DE PLAFOND. NE PAS FIXER CE VENTILATEUR À UNE BOÎTE DE SORTIE.

- 1. ATTENTION – RISQUE DE CHOC ÉLECTRIQUE :**
Débranchez l'alimentation au panneau du disjoncteur principal ou à la boîte à fusibles principale avant de démarrer et pendant l'installation.
 - 2. AVERTISSEMENT :** Tout le câblage doit être conforme au National Electrical Code « ANSI/NFPA 70 » et aux codes électriques locaux. L'installation électrique doit être effectuée par un électricien qualifié et agréé.
 - 3. AVERTISSEMENT :** Pour réduire le risque d'électrocution, ce ventilateur doit être installé avec une commande/un interrupteur mural isolant à usage général.
 - 4. AVERTISSEMENT :** Ne convient pas à une utilisation avec des commandes de vitesse à semi-conducteurs.
 - 5. AVERTISSEMENT :** Pour réduire le risque d'incendie, d'électrocution ou de blessure corporelle, installez l'appareil sur une boîte de sortie portant la mention « acceptable pour soutenir un ventilateur de 15,9 kg (35 lb) ou moins ». Utilisez les vis de montage livrées avec la boîte de sortie. Il faudra probablement remplacer la boîte de sortie, car la plupart des boîtes de sortie utilisées pour soutenir des appareils d'éclairage ne sont pas acceptables pour soutenir un ventilateur.
- En raison de la complexité de l'installation de ce ventilateur, un électricien agréé qualifié est fortement recommandé.
- 6.** La boîte de sortie et la structure de support doivent être solidement montées et capables de supporter de manière fiable un minimum de 15,9 kg (35 lb). N'utilisez que des boîtes de sortie cULus portant la mention « Acceptable pour soutenir un ventilateur de 15,9 kg (35 lb) ou moins ».
 - 7.** Le ventilateur doit être monté avec un dégagement minimum de 2,1 m (7 pieds) entre le bord de fuite des pales et le sol.
 - 8. AVERTISSEMENT :** N'actionnez pas l'inverseur lorsque les pales du ventilateur sont en mouvement. Le ventilateur doit être éteint et les pales arrêtées avant d'inverser le sens des pales.
 - 9.** Évitez de placer des objets sur la trajectoire des pales.
 - 10. AVERTISSEMENT :** assurez-vous que l'alimentation est coupée avant de nettoyer votre ventilateur.

RÈGLES DE SÉCURITÉ (SUITE)

11. Pour éviter des blessures corporelles ou des dommages au ventilateur et à d'autres éléments, soyez prudent lorsque vous travaillez autour du ventilateur ou lorsque vous le nettoyez.
12. N'utilisez pas d'eau ou de détergents pour nettoyer le ventilateur ou les pales du ventilateur. Un chiffon sec à poussière ou un chiffon légèrement humide conviendra pour la plupart des nettoyages.
13. Après avoir effectué les raccordements électriques, les conducteurs raccordés doivent être tournés vers le haut et poussés avec précaution dans le boîtier de sortie. Les fils doivent être écartés avec le conducteur mis à la terre et le conducteur de mise à la terre de l'équipement d'un côté de la boîte de sortie et le conducteur non mis à la terre de l'autre côté de la boîte de sortie.
14. Les schémas électriques sont fournis à titre indicatif uniquement. Les ensembles d'éclairage qui ne sont pas fournis avec le ventilateur doivent être répertoriés et marqués cULus pour une utilisation avec le modèle de ventilateur que vous installez. Les commutateurs doivent être des commutateurs cULus à usage général. Reportez-vous aux instructions fournies avec les ensembles d'éclairage et les interrupteurs pour un assemblage correct.

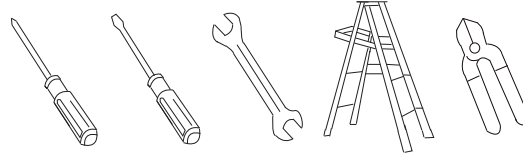
15. Toutes les vis de réglage doivent être vérifiées et resserrées si nécessaire avant l'installation.
16. N.W. 6,5 KG (14,33 LB) / G.W. 7,8 KG (17,19 LB)

AVERTISSEMENT

POUR RÉDUIRE LES RISQUES DE BLESSURES CORPORELLES, NE PLIEZ PAS LES PALES PENDANT LE MONTAGE OU APRÈS L'INSTALLATION. NE PAS INSÉRER D'OBJETS SUR LE PASSAGE DES PALES.

OUTILS NÉCESSAIRES

- Tournevis cruciforme
- Tournevis à lame
- Clé de 11 mm
- Escabeau
- Pincés coupantes

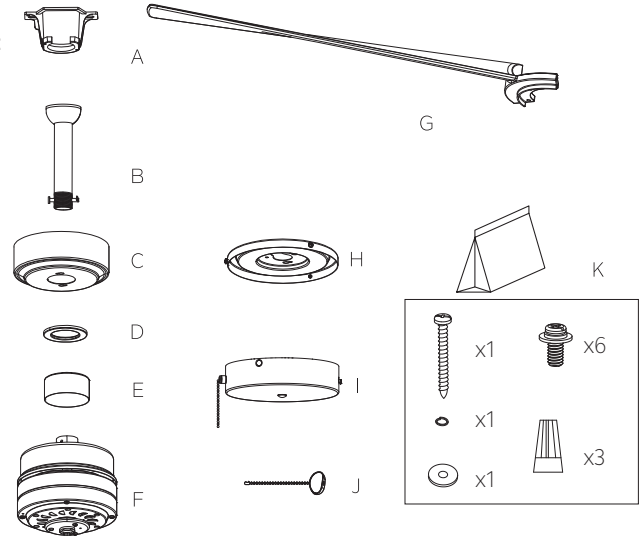


CONTENU DU COLIS

Déballer votre ventilateur et vérifiez le contenu. Vous devriez avoir les éléments suivants :

- A. Support de montage
- B. Ensemble boule/tige descendante
- C. Garniture
- D. Anneau de garniture
- E. Couvercle d'accouplement
- F. Corps du moteur
- G. Pales de ventilateur (3)
- H. Couvercle de l'interrupteur
- I. Boîtier d'interrupteur
- J. Extension et embout de chaîne de traction

- K. Matériel d'emballage
- 1) Matériel de montage :
Connecteurs de fil (3)
- 2) Matériel de fixation de pale :
Vis et rondelles de montage de pale de ventilateur (6)
- 3) Matériel du câble de sécurité :
Vis à bois (1),
Rondelle à ressort (1),
Rondelle plate (1)



OPTIONS DE MONTAGE

S'il n'y a pas de boîtier de montage homologué UL (cUL pour installation canadienne), alors lisez les instructions suivantes. Débranchez l'alimentation en retirant les fusibles ou en désactivant les disjoncteurs.

Fixez le boîtier de sortie directement à la structure du bâtiment. Utilisez des fixations et des matériaux de construction appropriés. Le boîtier de sortie et son support doivent pouvoir supporter entièrement le poids total du ventilateur (jusqu'à 15,9 kg (35 lb)). N'utilisez pas de boîtiers de sortie en plastique.

Les images 1, 2 et 3 sont des exemples des différentes manières de monter le boîtier de sortie.

REMARQUE : Si vous installez le ventilateur de plafond sur un plafond en pente (voûté), vous aurez peut-être besoin d'une tige descendante plus longue pour maintenir un dégagement approprié entre la pointe des pales et le plafond. Un dégagement minimum de 12 po est suggéré pour un fonctionnement optimal.

REMARQUE : Selon l'endroit que vous avez choisi pour l'installation, vous devrez peut-être acheter et installer un « étrier à solive » pour soutenir le boîtier de sortie. Assurez-vous que l'étrier à solive que vous achetez a été conçu pour être utilisé avec des ventilateurs de plafond. (Image 4)

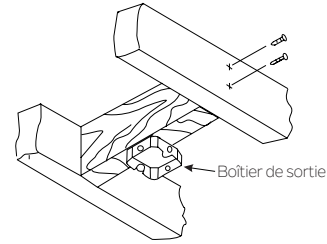


Image 1

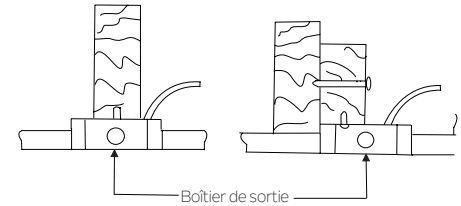


Image 2

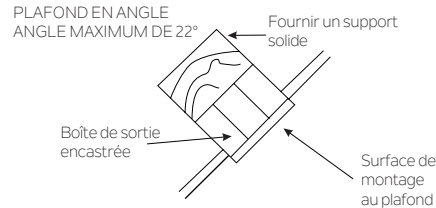


Image 3

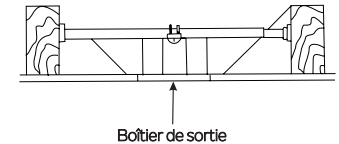


Image 4

SUSPENDRE LE VENTILATEUR

ATTENTION : Pour éviter tout risque d'électrocution, assurez-vous d'avoir coupé l'alimentation au panneau de circuit principal avant de procéder au câblage.

RAPPELEZ-VOUS de couper l'alimentation avant de commencer l'installation. Cela est nécessaire pour votre sécurité.

Pour installer correctement votre ventilateur de plafond, suivez les étapes ci-dessous.

Étape 1. Avant de fixer le ventilateur au boîtier de sortie (non inclus), assurez-vous que le boîtier de sortie est solidement fixé à au moins deux points à un élément du plafond structurel (un boîtier desserré fera vaciller le ventilateur). Faites passer les fils d'alimentation de 120 volts du boîtier de sortie au plafond par le centre du support de montage au plafond. Installez le support de montage sur le boîtier de sortie au plafond à l'aide des vis et rondelles fournies avec le boîtier de sortie. **(Image 5)**

Étape 2. Retirez l'attache de retenue et la goupille d'attelage de l'assemblage de la tige descendante. Retirez la boule de suspension de l'ensemble de la tige de suspension en desserrant la vis de réglage sur la boule de suspension (ne la retirez pas), en dévissant et en retirant la goupille transversale, et en dévissant la boule de suspension (dans le sens antihoraire) de la tige de suspension. **(Image 6)**

REMARQUE : Assurez-vous de garder le matériel détaché séparément pour éviter toute confusion lors de l'installation.

Étape 3. Desserrez les deux vis de réglage (ne pas retirer) sur l'accouplement du moteur. **(Image 7)**

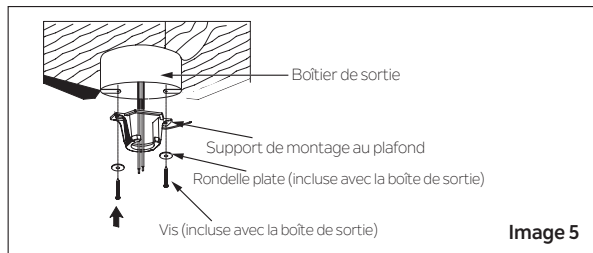


Image 5

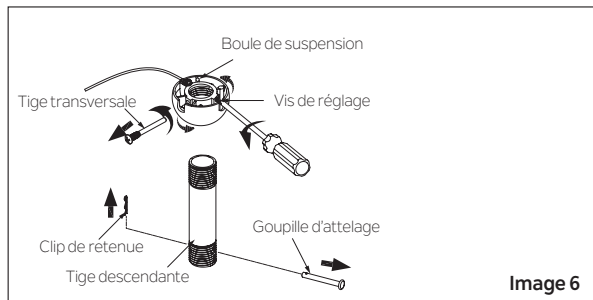


Image 6

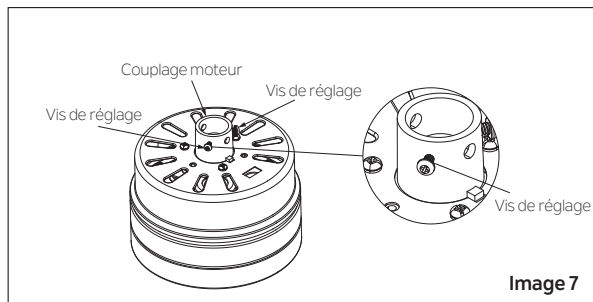


Image 7

SUSPENDRE LE VENTILATEUR (SUITE)

Étape 4. Faites passer avec précaution les fils du ventilateur et le câble de sécurité à travers la tige descendante. Vissez la tige de suspension dans l'accouplement du moteur jusqu'à ce que les trous des goupilles d'attelage soient alignés. Remettez ensuite en place la goupille d'attelage et le clip de retenue.

REMARQUE : Veillez à ne pas coincer la goupille d'attelage contre le câblage à l'intérieur de la tige descendante. Serrez les deux vis de pression. (Image 8)

Étape 5. Glissez le couvercle d'accouplement, l'anneau de finition de garniture (côté fini face au corps du moteur) et la garniture sur la tige descendante. Réinstallez soigneusement la boule de suspension sur la tige descendante. Réinstallez soigneusement la goupille transversale à travers la boule de suspension et la tige de suspension.

REMARQUE : Veillez à ne pas coincer la tige transversale contre le câblage à l'intérieur de la tige descendante.

Assurez-vous que la goupille transversale est dans la bonne position. Serrez la goupille transversale. Serrez la vis de pression sur la boule de suspension. Assurez-vous que les fils ne sont pas tordus. (Image 9)

Étape 6. Soulevez maintenant le corps du moteur en position et placez la boule de suspension dans le support de montage. Faites pivoter l'ensemble jusqu'à ce que la « languette de contrôle » soit tombée dans la « fente d'enregistrement » et soit fermement en place. (Image 10)
L'ensemble du corps du moteur ne doit pas tourner si cela est fait correctement.

AVERTISSEMENT : Le fait de ne pas remettre en place la goupille transversale et de placer la « languette de contrôle » peut entraîner la chute du ventilateur du plafond pendant le fonctionnement. Veillez tout particulièrement à ce que cette goupille soit remise en place.

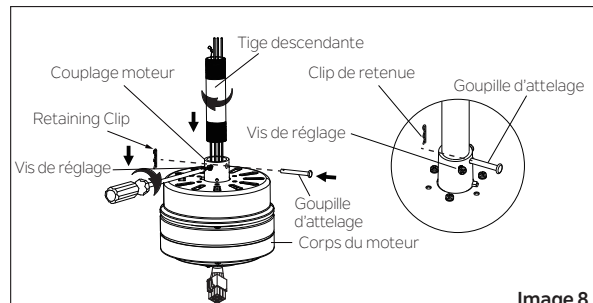


Image 8

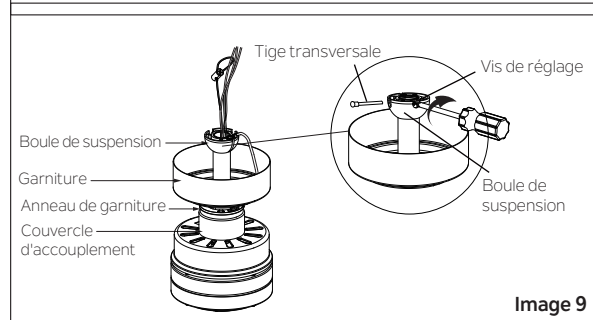


Image 9

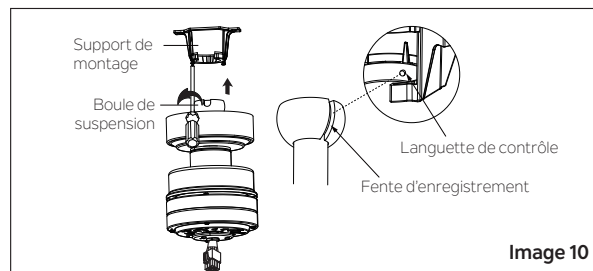


Image 10

INSTALLATION DU SUPPORT DE SÉCURITÉ (requis pour l'installation au Canada SEULEMENT)

Un câble de support de sécurité est fourni pour empêcher le ventilateur de plafond de tomber. Veuillez l'installer comme indiqué ci-dessous.

Étape 1. Glissez la rondelle élastique, puis la rondelle plate sur la vis à bois, puis enfoncez la vis à bois dans le côté du renfort qui maintient la boîte de sortie. Laissez 3 mm (1/8 po) d'espace entre le renfort de support et la rondelle. **(Image 11)**

Étape 2. Insérez le câble de sécurité à travers le support de montage et l'un des trous de la boîte de sortie dans le plafond. Ajustez la longueur du câble de sécurité pour atteindre la vis et la rondelle plate en tirant le câble supplémentaire à travers le serre-câble jusqu'à ce que la longueur totale soit correcte, remettez l'extrémité du câble à travers le serre-câble, en formant une boucle à l'extrémité du câble. Serrez fermement le serre-câble. Maintenant, placez la boucle à l'extrémité du câble de sécurité sur la vis à bois et sous la rondelle. Serrez fermement la vis à bois. **(Image 12)**

REMARQUE : Bien que le câble de support de sécurité ne soit requis que pour les installations au Canada, c'est une bonne idée d'effectuer la fixation avec n'importe quelle installation.

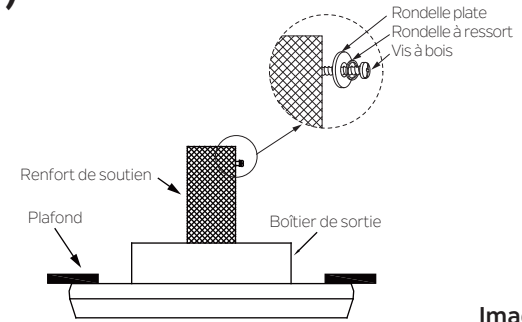


Image 11

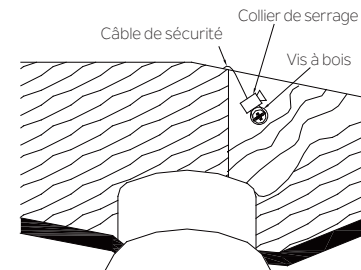


Image 12

EFFECTUER LES RACCORDEMENTS ÉLECTRIQUES

AVERTISSEMENT : Pour éviter tout risque d'électrocution, assurez-vous d'avoir coupé l'alimentation au panneau de circuit principal avant de procéder au câblage. Suivez les étapes ci-dessous pour raccorder le ventilateur à votre câblage domestique. Utilisez les connecteurs de fils fournis avec votre ventilateur. Fixez les connecteurs avec du ruban isolant. Assurez-vous qu'il n'y a pas de torons métalliques ou de raccords desserrés.

AVERTISSEMENT : Si les fils de votre maison sont de couleurs différentes de celles indiquées dans ce manuel, arrêtez immédiatement. Un électricien professionnel est recommandé pour déterminer le câblage approprié.

AVERTISSEMENT : Vérifiez que toutes les connexions sont bien serrées, y compris la terre, et qu'aucun fil nu n'est visible au niveau des connexions de fil.

- Étape 1.** Raccordez le fil d'alimentation du ventilateur (noir) et le fil d'alimentation (bleu) du ventilateur au fil d'alimentation domestique noir comme illustré à l'Image 13.
- Étape 2.** Raccordez le fil neutre du ventilateur (blanc) au fil neutre (blanc) du foyer.
- Étape 3.** Raccordez le fil de terre du ventilateur (jaune/vert) au fil de terre de la maison.
- Étape 4.** Après avoir connecté les fils, tournez les écrous de connexion des fils vers le haut et poussez le câblage dans la boîte de sortie. Écartez-les de manière à ce que les fils vert (terre) et blanc (neutre) se trouvent d'un côté de la boîte de sortie et que les fils noirs (chauds) soient de l'autre côté.

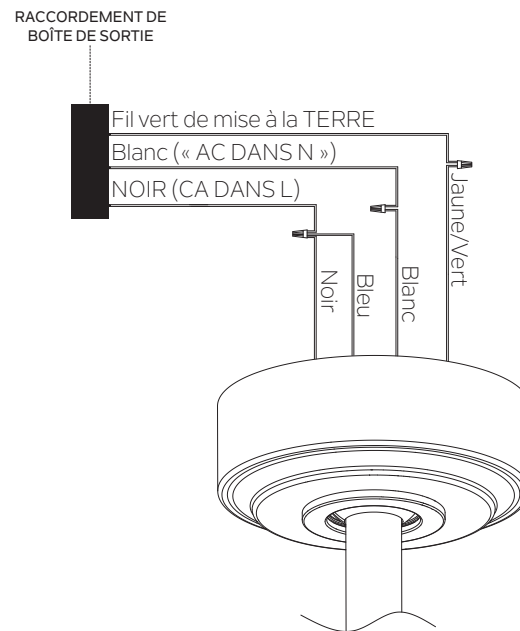


Image 13

FIN DE L'INSTALLATION

ATTENTION : Avant de poursuivre l'installation, vérifiez que l'alimentation est toujours coupée au niveau du disjoncteur principal ou en retirant le fusible du circuit. La mise hors tension à l'aide d'un interrupteur mural ne suffit pas pour éviter les électrocutions.

Étape 1. Desserrez les deux vis à épaulement au bas du support de montage. (ne pas retirer). (Image 14)

Étape 2. Soulevez la garniture jusqu'au support de montage. Placez les fentes de trou de serrure dans la garniture sur les vis à épaulement du support de montage. Tournez la garniture (dans le sens des aiguilles d'une montre) jusqu'à ce qu'elle se verrouille en place contre les vis à épaulement (aux extrémités étroites des fentes de serrure). Serrez les deux vis à épaulement pour fixer la monture en place. (Image 15)

AVERTISSEMENT : Assurez-vous que la « languette de contrôle » au bas du support de montage au plafond est correctement positionnée dans la « fente d'enregistrement » sur le côté de la boule de suspension avant de fixer l'auvent au support de montage au plafond.

Étape 3. Soulevez l'anneau de finition de garniture jusqu'à la garniture. Placez les fentes de trou de serrure dans l'anneau de finition de garniture sur les têtes des vis à épaulement. Tournez l'anneau de finition de garniture (dans le sens horaire) jusqu'à ce qu'il se verrouille en place contre les vis à épaulement (aux extrémités étroites des fentes de serrure). (Image 16)

REMARQUE : Ajustez les vis de la garniture si nécessaire jusqu'à ce que la garniture et l'anneau de finition de garniture soient bien ajustés avec l'anneau. (Image 16)

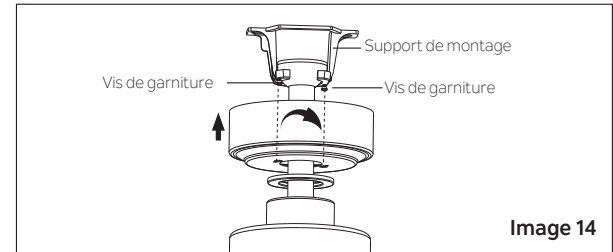


Image 14

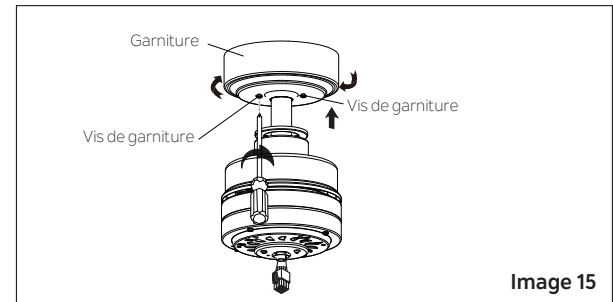


Image 15

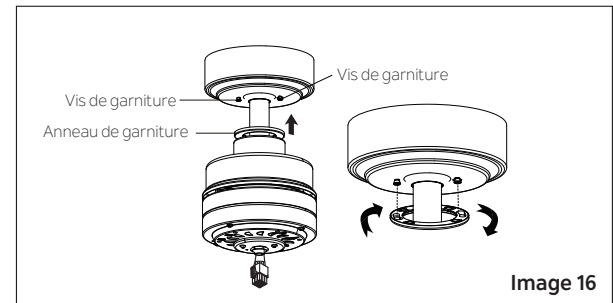


Image 16

FIXATION DES PALES DU VENTILATEUR

ATTENTION : Avant de poursuivre l'installation, vérifiez que l'alimentation est toujours coupée au niveau du disjoncteur principal ou en retirant le fusible du circuit. La mise hors tension à l'aide d'un interrupteur mural ne suffit pas pour éviter les électrocutions.

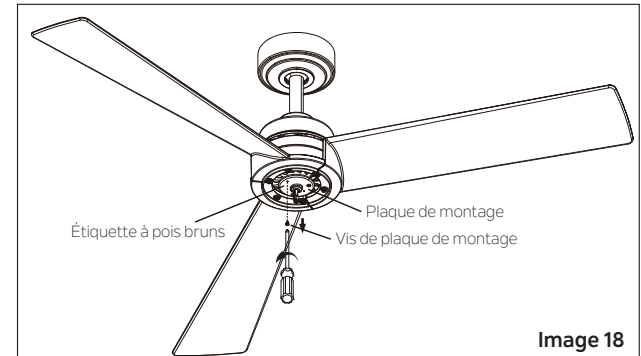
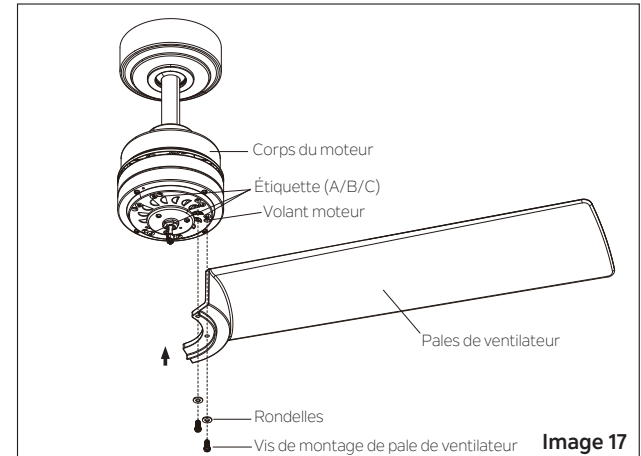
Étape 1. REMARQUE : Les trous dans les pales du ventilateur et les trous dans le volant moteur sont marqués « A », « B » ou « C ».
Alignez les trous des pales du ventilateur avec les trous du volant du moteur (aligner A à A, B à B et C à C). Fixez les pales du ventilateur au volant avec les rondelles et les vis de montage fournies. Serrez pour fixer. **(Image 17)**

INSTALLATION DU COUVERCLE DU COMMUTATEUR

ATTENTION : Avant de poursuivre l'installation, vérifiez que l'alimentation est toujours coupée au niveau du disjoncteur principal ou en retirant le fusible du circuit.

La mise hors tension à l'aide d'un interrupteur mural ne suffit pas pour éviter les électrocutions.

Étape 1. Retirez la vis de la plaque de montage marquée d'une étiquette à pois bruns de la plaque de montage. Conservez la vis de la plaque de montage. Desserrez les deux autres vis (ne les retirez pas). **(Image 18)**



INSTALLATION DU COUVERCLE DU COMMUTATEUR (SUITE)

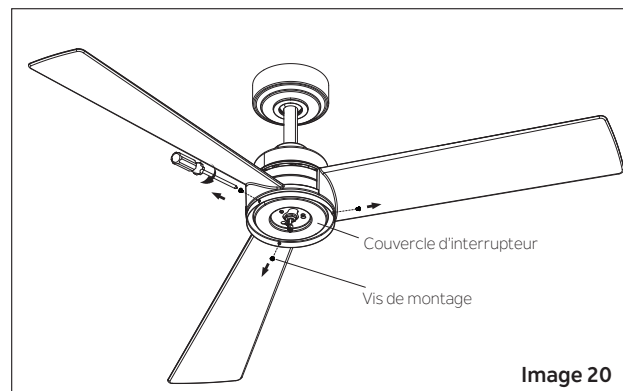
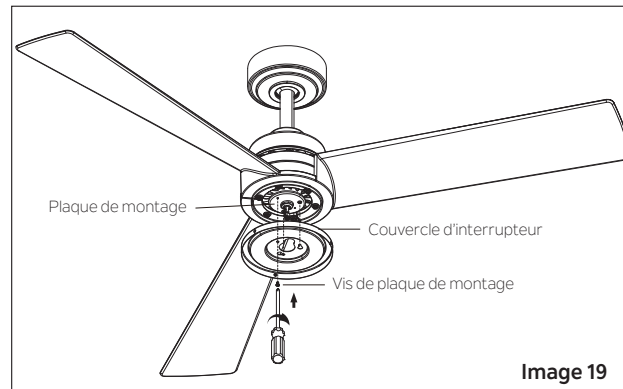
Étape 2. Placez les fentes en trou de serrure dans le couvercle de l'interrupteur sur les 2 vis de la plaque de montage qui ont été desserrées sur la plaque de montage. Tournez le couvercle de l'interrupteur (dans le sens horaire) jusqu'à ce qu'il se verrouille en place contre les vis de la plaque de montage aux extrémités étroites des fentes de serrure.

Alignez le trou restant dans le couvercle du commutateur avec le trou restant dans la plaque de montage. Installez la vis de la plaque de montage qui a été retirée de la plaque de montage dans les trous alignés. Serrez les 3 vis de la plaque de montage pour fixer le couvercle du commutateur en place. **(Image 19)**

INSTALLATION DU BOÎTIER DE COMMUTATEUR

ATTENTION : Avant de poursuivre l'installation, vérifiez que l'alimentation est toujours coupée au niveau du disjoncteur principal ou en retirant le fusible du circuit. La mise hors tension à l'aide d'un interrupteur mural ne suffit pas pour éviter les électrocutions.

Étape 1. Retirez les trois vis de montage préinstallées du bord extérieur du couvercle du commutateur. Conservez les vis de montage. **(Image 20)**



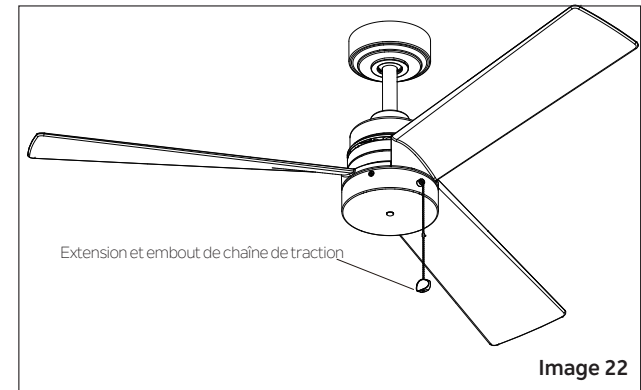
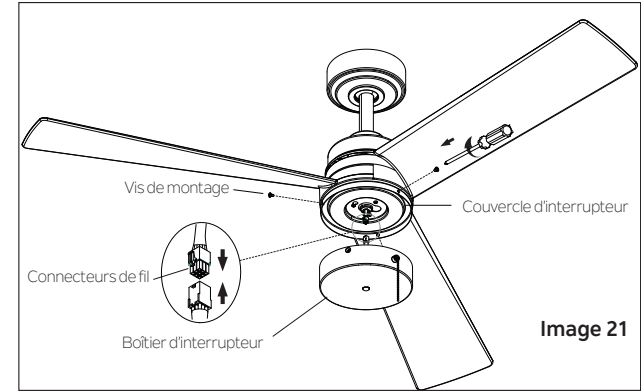
INSTALLATION DU BOÎTIER DE COMMUTATEUR (Suite)

Étape 2. Soulevez le boîtier de l'interrupteur près du ventilateur et poussez les connecteurs de fils carrés ensemble (un du ventilateur et un du boîtier de l'interrupteur). **(Image 21)**

REMARQUE : Ces connecteurs sont codés par couleur et s'enclenchent **UNIQUEMENT** lorsque les bandes colorées sont appariées (alignées).

Étape 3. Poussez délicatement tous les fils dans le boîtier de l'interrupteur. Fixez le boîtier de l'interrupteur au couvercle de l'interrupteur avec les vis de montage retirées à l'étape 1. Assurez-vous que chaque vis est bien serrée. **(Image 21)**

Étape 4. Installez la rallonge de chaînette de commande et l'embout. **(Image 22)**



INSTRUCTIONS D'UTILISATION

Rétablissez le courant et vérifiez le fonctionnement de votre ventilateur de plafond.

La chaînette de commande actionne les 3 vitesses de votre ventilateur de plafond. **(Image 23)**

Tirer 1 fois = Élevé, tirer 2 fois = Moyen, tirer 3 fois = Bas et tirer 4 fois éteint le moteur.

AVERTISSEMENT : N'actionnez pas l'inverseur lorsque les pales du ventilateur sont en mouvement. Le ventilateur doit être éteint et les pales arrêtées avant d'inverser le sens des pales.

L'interrupteur à glissière noir situé sur le côté du boîtier de l'interrupteur commande le sens des pales « sens des aiguilles d'une montre ou antihoraire ». **(Image 23)**

Fonctionnement par temps chaud : Les pales du ventilateur tournent dans le sens antihoraire. Un flux d'air descendant crée un effet rafraîchissant **(Image 24)**. Cela vous permet de régler votre climatiseur sur un réglage plus chaud sans affecter votre confort général.

Fonctionnement par temps frais : Sens inversé, les pales du ventilateur tournent dans le sens horaire. Un flux d'air ascendant évacue l'air chaud des zones du plafond **(Image 25)**. Cela vous permet de régler votre unité de chauffage sur un réglage plus froid sans affecter votre confort général.

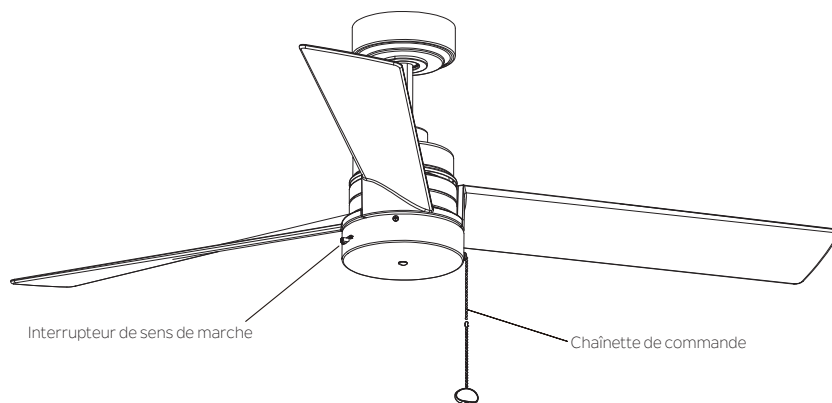


Image 23

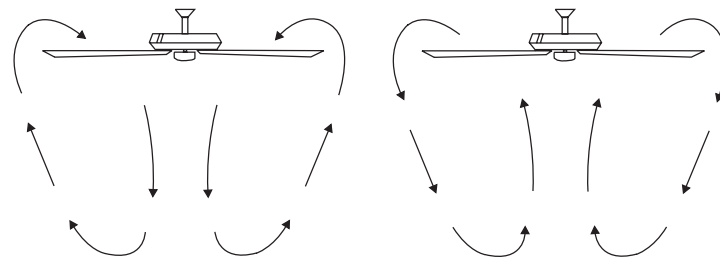


Image 24

Image 25

DÉPANNAGE

Problème

Le ventilateur ne démarre pas.

Solution

1. Vérifiez les fusibles ou les disjoncteurs.
2. Vérifiez tous les raccordements électriques pour assurer un bon contact.

ATTENTION : Assurez-vous que l'alimentation principale est coupée lors de la vérification de tout raccordement électrique.

Le ventilateur fait du bruit.

1. Assurez-vous que toutes les vis du boîtier du moteur sont bien serrées.
2. Assurez-vous que les vis qui fixent les supports des pales du ventilateur au moteur sont bien serrées.
3. Assurez-vous que les connexions des écrous métalliques ne frottent pas les unes contre les autres ou contre la paroi intérieure du boîtier de l'interrupteur.

ATTENTION : Assurez-vous que l'alimentation principale est coupée.

4. Prévoyez une période de « rodage » de 24 heures. La plupart des bruits associés à un nouveau ventilateur disparaissent pendant cette période.
5. Si vous utilisez un ensemble d'éclairage en option, assurez-vous que les vis fixant l'abat-jour de verre sont bien serrées. Assurez-vous que les ampoules ne touchent aucun autre composant.
6. Ne connectez pas ce ventilateur à une ou plusieurs commandes de vitesse variable fixées au mur. Ils ne sont pas compatibles avec les moteurs de ventilateurs de plafond ou les télécommandes.
7. Assurez-vous que l'abat-jour de verre supérieure est à une courte distance du plafond. Elle ne doit pas toucher le plafond.

Le ventilateur vacille.

1. Vérifiez que toutes les vis de la pale et du bras de pale sont bien fixées.
2. La plupart des problèmes d'oscillation du ventilateur sont causés lorsque les niveaux des pales sont inégaux. Vérifiez ce niveau en sélectionnant un point sur le plafond au-dessus de la pointe de l'une des pales. Mesurez cette distance. Faites tourner le ventilateur jusqu'à ce que la pale suivante soit positionnée pour la mesure. Répétez pour chaque pale. L'écart de distance doit être égal à 1/8".
3. Si l'oscillation de la pale est toujours perceptible, interchanger deux pales adjacentes (côte à côte) peut redistribuer le poids et éventuellement entraîner un fonctionnement plus fluide.

AVERTISSEMENT : Pour réduire le risque de blessures personnelles et pour assurer le bon fonctionnement de votre ventilateur de plafond, ne fixez jamais les ensembles de pales tant que le ventilateur de plafond n'a pas été monté au plafond.

Ne pliez pas les pales pendant l'installation, l'équilibrage ou le nettoyage du ventilateur. N'insérez pas d'objets étrangers entre les pales du ventilateur en rotation.

KICHLER®

www.kichler.com

KICHLER LIGHTING LLC

30455 Solon Rd.

Solon, OH 44139 USA

SERVICE À LA CLIENTÈLE 866.558.5706

8 h à 17 h EST, DU LUNDI AU VENDREDI

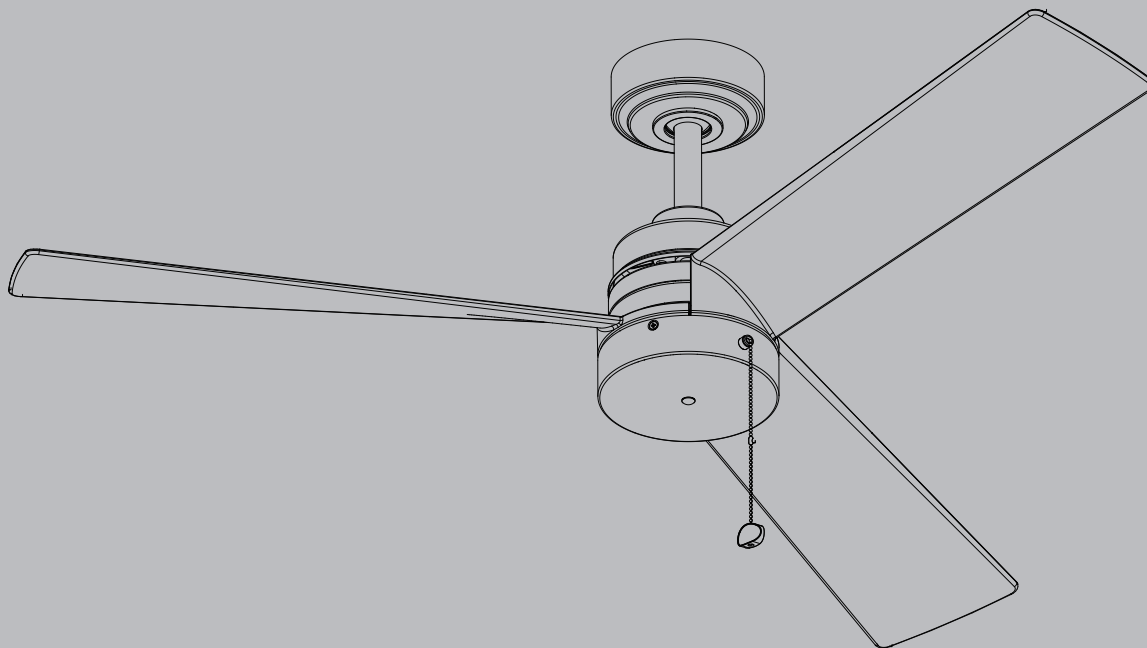
RÉV. 14-NOV-2023

© Kichler Lighting LLC. Tous les produits sont réservés.

KICHLER®

Sbyn Lite de 1.32 m (52 in)

Las imágenes del producto pueden diferir ligeramente del producto real.



LEA Y GUARDE ESTAS INSTRUCCIONES

MANUAL DE
INSTRUCCIONES
Número de modelo 300375

ÍNDICE

NORMAS DE SEGURIDAD.....	4	FINALIZACIÓN DE LA INSTALACIÓN	12
HERRAMIENTAS NECESARIAS.....	6	INSTALACIÓN DE LAS ASPAS DEL VENTILADOR	13
CONTENIDO DEL PAQUETE.....	6	INSTALACIÓN DE LA CUBIERTA DEL INTERRUPTOR ...	13
OPCIONES DE MONTAJE.....	7	INSTALACIÓN DE LA CARCASA DEL INTERRUPTOR	14
CÓMO COLGAR EL VENTILADOR.....	8	INSTRUCCIONES DE FUNCIONAMIENTO	16
INSTALACIÓN DE SOPORTE DE SEGURIDAD	10	RESOLUCIÓN DE PROBLEMAS	17
REALIZAR LAS CONEXIONES ELÉCTRICAS	11		

NORMAS DE SEGURIDAD

ADVERTENCIA: PARA CANADÁ, ESTE VENTILADOR DEBE FIJARSE DIRECTAMENTE A LA ESTRUCTURA DEL EDIFICIO/VIGA DEL TECHO.

NO ASEGURE ESTE VENTILADOR A UNA CAJA DE SALIDA.

- 1. PRECAUCIÓN: RIESGO DE DESCARGA ELÉCTRICA:**
Desconecte la energía en el panel principal de disyuntores o en la caja de fusibles principal antes de comenzar y durante la instalación.
- 2. ADVERTENCIA:** Todo el cableado debe instalarse de acuerdo con el Código Eléctrico Nacional 70 del Instituto Nacional Estadounidense de Estándares (American National Standards Institute, ANSI)/la Asociación Nacional de Protección contra Incendios (National Fire Protection Association, NFPA) y los códigos eléctricos locales. La instalación eléctrica debe ser realizada por un electricista calificado.
- 3. ADVERTENCIA:** Para reducir el riesgo de descarga eléctrica, este ventilador debe instalarse con un interruptor/control de pared aislante de uso general.
- 4. ADVERTENCIA:** No apto para usarse con controles de velocidad de estado sólido.
- 5. ADVERTENCIA:** Para reducir el riesgo de incendio, descarga eléctrica u otras lesiones personales, monte el ventilador en la caja de salida marcada como “Apta para soporte de ventilador de 15.9 kg (35 lb) o menos” y use los tornillos de montaje proporcionados con la caja de salida. La mayoría de las cajas de salida comúnmente usadas para sujetar accesorios de iluminación no son aptas para sostener ventiladores y se deben reemplazar. Debido a la complejidad de la instalación de este ventilador, se recomienda enfáticamente la intervención de un electricista calificado con licencia.
- 6.** La caja de salida y la estructura de soporte deben estar montadas de manera segura y ser capaces de soportar de manera confiable un mínimo de 15.9 kg (35 libras). Use solo cajas de salida con certificación cULus y marcadas como “Apta para soporte de ventilador de 15.9 kg (35 lb) o menos”.
- 7.** El ventilador debe montarse con un espacio libre mínimo de 2.1 m (7 pies) desde el borde posterior de las aspas hasta el suelo.
- 8. ADVERTENCIA:** No opere el interruptor de inversión de dirección mientras las aspas del ventilador estén en movimiento. El ventilador debe estar apagado y las aspas detenidas antes de invertir la dirección de las aspas.
- 9.** Evite colocar objetos en el camino de las aspas.
- 10. ADVERTENCIA:** asegúrese de que la corriente esté desconectada antes de limpiar el ventilador.

NORMAS DE SEGURIDAD (CONTINUACIÓN)

11. Para evitar lesiones personales o daños al ventilador y otros elementos, tenga cuidado cuando trabaje alrededor del ventilador o cuando lo limpie.
12. No use agua ni detergentes para limpiar el ventilador ni las aspas del ventilador. Un paño seco para el polvo o un paño ligeramente humedecido será adecuado para la mayor parte de la limpieza.
13. Después de realizar las conexiones eléctricas, los conductores empalmados deben girarse hacia arriba y empujarse con cuidado hacia la caja de salida. Los cables deben separarse con el conductor puesto a tierra, y el conductor de puesta a tierra del equipo en un lado de la caja de salida, y el conductor sin puesta a tierra en el otro lado de la caja de salida.
14. Los diagramas eléctricos son solo para fines de referencia. Los kits de luz que no vengan empaquetados con el ventilador deben tener la certificación cULus y estar marcados como aptos para usarse con el modelo de ventilador que está instalando. Los interruptores deben ser interruptores de uso general con certificación cULus. Consulte las instrucciones que vienen con los kits de luz e interruptores para un montaje adecuado.
15. Todos los tornillos de fijación deben revisarse y volverse a apretar cuando sea necesario antes de la instalación.

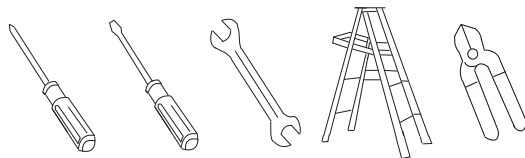
16. Peso neto: 6.5 KG (14.33 LB)/peso bruto: 7.8 KG (17.19 LB)

ADVERTENCIA

PARA REDUCIR EL RIESGO DE LESIONES PERSONALES,
NO DOBLE LAS ASPAS DURANTE EL MONTAJE O
DESPUÉS DE LA INSTALACIÓN.
NO INTRODUZCA OBJETOS EN EL CAMINO DE LAS ASPAS.

HERRAMIENTAS NECESARIAS

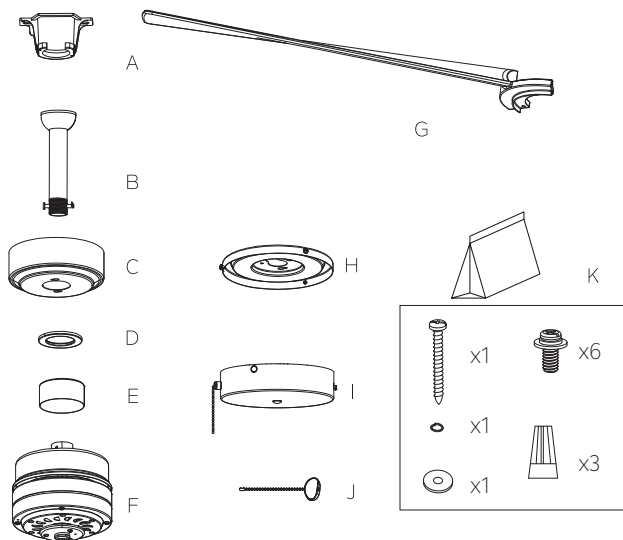
- Destornillador Phillips
- Destornillador plano
- Llave de 11 mm
- Escalera de tijera
- Cortadoras de alambre



CONTENIDO DEL PAQUETE

Desempaque su ventilador y verifique el contenido. Debería tener los siguientes elementos:

- | | |
|--|--|
| A. Soporte de montaje | K. Accesorios del paquete |
| B. Conjunto de bola/varilla de extensión | 1) Accesorios de montaje: |
| C. Florón | Conectores de cables (3) |
| D. Anillo de ajuste del florón | 2) Accesorios para instalación de las aspas: |
| E. Cubierta de acoplamiento | Tornillos y arandelas de montaje |
| F. Cuerpo del motor | de hojas del ventilador (6) |
| G. Aspas del ventilador (3) | 3) Accesorios del cable de seguridad: |
| H. Cubierta del interruptor | Tornillo para madera (1) |
| I. Carcasa del interruptor | Arandela de presión (1) |
| J. Extensión de cadena de tracción con adorno de punta | Arandela plana (1) |



OPCIONES DE MONTAJE

Si no existe una caja de montaje con certificación UL (cUL para la instalación en Canadá), lea las siguientes instrucciones. Desconecte la energía quitando los fusibles o apagando los disyuntores.

Fije la caja de salida directamente a la estructura del edificio. Utilice sujetadores y materiales de construcción adecuados. La caja de salida y su soporte deben poder soportar completamente el peso total del ventilador (hasta 15.9 kg [35 libras]). No utilice cajas de salida de plástico.

Las figuras 1, 2 y 3 son ejemplos de diferentes formas de montar la caja de salida.

NOTA: Si está instalando el ventilador de techo en un techo inclinado (abovedado), es posible que necesite una varilla de extensión más larga para mantener el espacio adecuado entre la punta del aspa y el techo. Se sugiere un espacio libre mínimo de 30.5 cm (12 in) para un funcionamiento óptimo.

NOTA: Según la ubicación que haya seleccionado para la instalación, es posible que deba comprar e instalar un “estribo para viguetas” para el soporte de la caja de salida. Asegúrese de que el estribo para viguetas que compre haya sido diseñado para usarse con ventiladores de techo. **(Figura 4)**

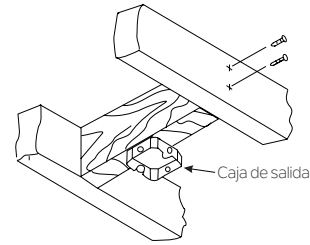


Figura 1

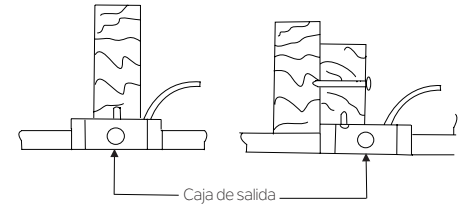


Figura 2

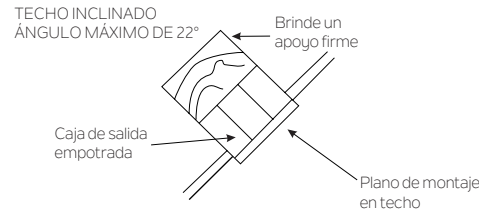


Figura 3

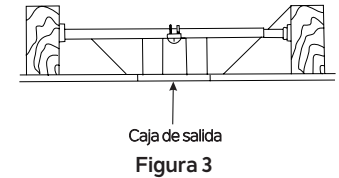


Figura 3

CÓMO COLGAR EL VENTILADOR

PRECAUCIÓN: Para evitar posibles descargas eléctricas, asegúrese de haber desconectado la energía en el panel del circuito principal.

RECUERDE desconectar la energía antes de comenzar la instalación. Esto es necesario para su seguridad.

Para instalar correctamente su ventilador de techo, siga los pasos a continuación.

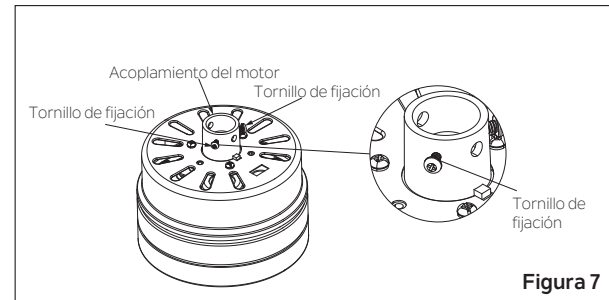
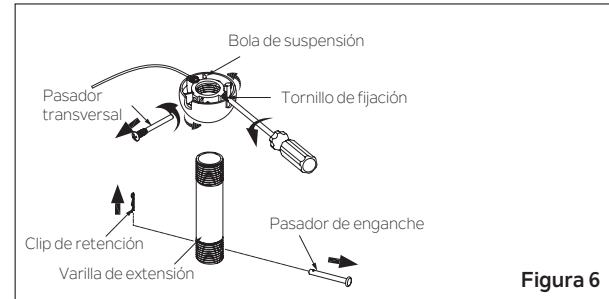
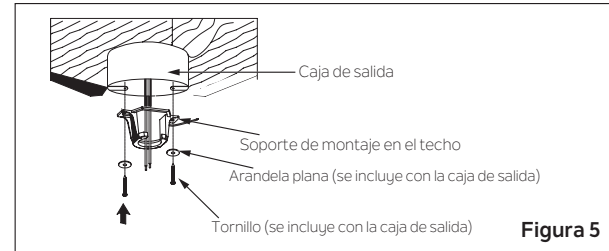
Paso 1. Antes de conectar el ventilador a la caja de salida (no incluida), asegúrese de que la caja de salida esté bien sujeta a al menos dos puntos de un miembro estructural del techo (una caja suelta hará que el ventilador oscile). Pase los cables de suministro de 120 voltios desde la caja de salida del techo a través del centro del soporte de montaje en el techo. Instale el soporte de montaje en la caja de salida en el techo usando los tornillos y las arandelas incluidos con la caja de salida.

(Figura 5)

Paso 2. Retire el clip de retención y el pasador de enganche del conjunto de varilla de extensión. Retire la bola de suspensión del conjunto de varilla de extensión aflojando el tornillo de fijación de la bola de suspensión (no lo retire), desatornillando y quitando el pasador transversal y desatornillando la bola de suspensión (en sentido contrario a las manecillas del reloj) de la varilla. **(Figura 6)**

NOTA: Asegúrese de mantener separados los accesorios que retiró para evitar confusiones durante la instalación.

Paso 3. Afloje los dos tornillos de fijación (no los retire) en el acoplamiento del motor. **(Figura 7)**



CÓMO COLGAR EL VENTILADOR (CONTINUACIÓN)

Paso 4. Pase con cuidado los cables del ventilador y el cable de seguridad hacia arriba a través de la varilla de extensión. Enrosque la varilla de extensión en el acoplamiento del motor hasta que los orificios del pasador de enganche estén alineados. A continuación, vuelva a colocar el pasador de enganche y el clip de retención.

NOTA: Tenga cuidado de no atascar el pasador de enganche con el cableado dentro de la varilla de extensión. Apriete ambos tornillos de fijación. (Figura 8)

Paso 5. Deslice la cubierta de acoplamiento, el anillo de ajuste del florón (el lado con el acabado liso queda orientado hacia el cuerpo del motor) y el florón sobre la varilla de extensión. Vuelva a instalar con cuidado la bola de suspensión en la varilla de extensión. Vuelva a instalar con cuidado el pasador transversal a través de la bola de suspensión y la varilla de extensión.

NOTA: Tenga cuidado de no atascar el pasador transversal con el cableado dentro de la varilla de extensión.

Asegúrese de que el pasador transversal esté en la posición correcta. Apriete el pasador transversal. Apriete el tornillo de fijación de la bola de suspensión. Asegúrese de que los cables no estén torcidos. (Figura 9)

Paso 6. Levante el cuerpo del motor para colocarlo en su posición y coloque la bola de suspensión en el soporte de montaje. Gire todo el conjunto hasta que la “lengüeta de retención” haya caído en la “ranura de registro” y se asiente firmemente. (Figura 10)

Si esto se hace correctamente, todo el cuerpo del motor no debe girar.

ADVERTENCIA: Si no vuelve a colocar el pasador transversal y asienta la “lengüeta de retención”, el ventilador puede caerse del techo durante el funcionamiento. Tenga especial cuidado para asegurarse de que este pasador se vuelva a colocar.

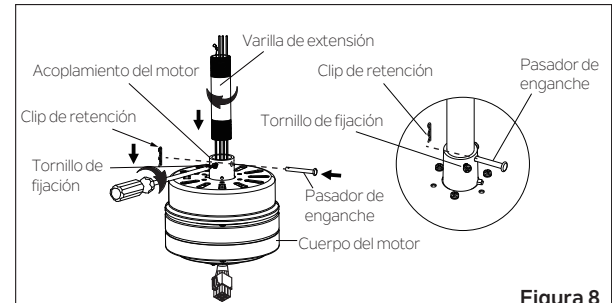


Figura 8

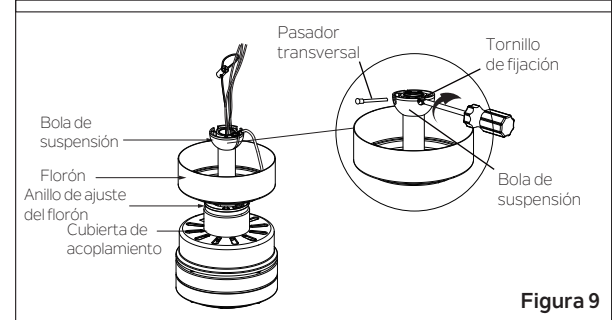


Figura 9

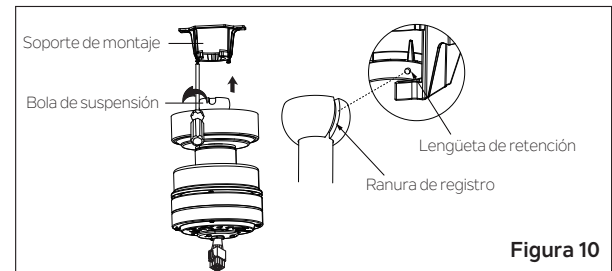


Figura 10

INSTALACIÓN DE SOPORTE DE SEGURIDAD (únicamente es necesario para la instalación en Canadá)

Se proporciona un cable de soporte de seguridad para ayudar a evitar que el ventilador de techo se caiga; instálelo de acuerdo a los pasos siguientes.

Paso 1. Deslice la arandela de presión, luego la arandela plana sobre el tornillo para madera, luego introduzca el tornillo para madera en el lado del soporte que sostiene la caja de salida. Deje 3 mm (1/8 in) de espacio entre el soporte de apoyo y la arandela plana. **(Figura 11)**

Paso 2. Inserte el cable de seguridad a través del soporte de montaje y uno de los orificios de la caja de salida en el techo. Tire del cable adicional a través de la abrazadera del cable para ajustar la longitud del cable de seguridad para alcanzar el tornillo y la arandela plana hasta que la longitud total sea adecuada, vuelva a colocar el extremo del cable a través de la abrazadera del cable, formando un lazo en el extremo del cable. Apriete firmemente la abrazadera del cable. Ahora, coloque el lazo en el extremo del cable de seguridad sobre el tornillo para madera y debajo de la arandela plana. Apriete firmemente el tornillo para madera. **(Figura 12)**

NOTA: Aunque el cable de soporte de seguridad se requiere solo para instalaciones en Canadá, es recomendable hacer esta conexión en cualquier instalación.

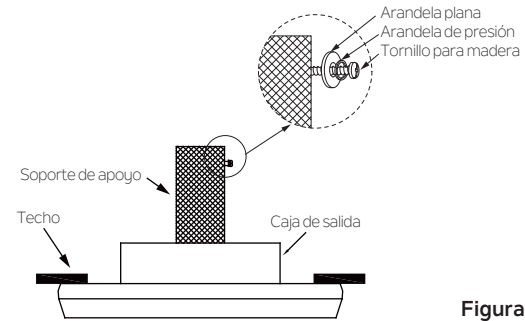


Figura 11

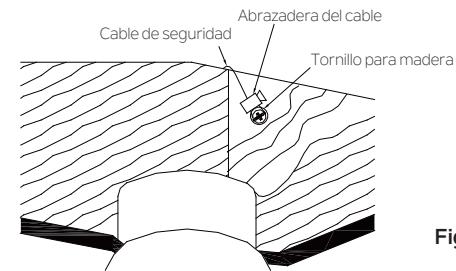


Figura 12

REALIZAR LAS CONEXIONES ELÉCTRICAS

ADVERTENCIA: Para evitar posibles descargas eléctricas, asegúrese de haber desconectado la energía en el panel del circuito principal antes de realizar el cableado. Siga los pasos a continuación para conectar el ventilador al cableado de la casa.

Utilice los conectores de cables suministrados con su ventilador. Sujete los conectores con cinta aislante. Asegúrese de que no haya conexiones ni puntas de cables sueltas.

ADVERTENCIA: Si los cables de su casa son de colores diferentes a los que se mencionan en este manual, deténgase inmediatamente. Se recomienda un electricista profesional para determinar el cableado adecuado.

ADVERTENCIA: Verifique que todas las conexiones estén apretadas, incluida la conexión a tierra, y que no se vea ningún cable desnudo en las conexiones de cables.

Paso 1. Conecte el cable de suministro del ventilador (negro) y el cable de suministro de luz (azul) al cable de suministro (negro) de la casa como se muestra en la **Figura 13**.

Paso 2. Conecte el cable neutro del ventilador (blanco) al cable neutro (blanco) de la casa.

Paso 3. Conecte el cable de conexión a tierra del ventilador (amarillo/verde) al cable de conexión a tierra de la casa.

Paso 4. Después de conectar los cables, gire las tuercas de conexión de cables hacia arriba y empuje el cableado hacia el interior de la caja de salida. Sepárelos de modo que los cables verde (conexión a tierra) y blanco (neutro) estén en un lado de la caja de salida y los cables negros (corriente) queden al otro lado.

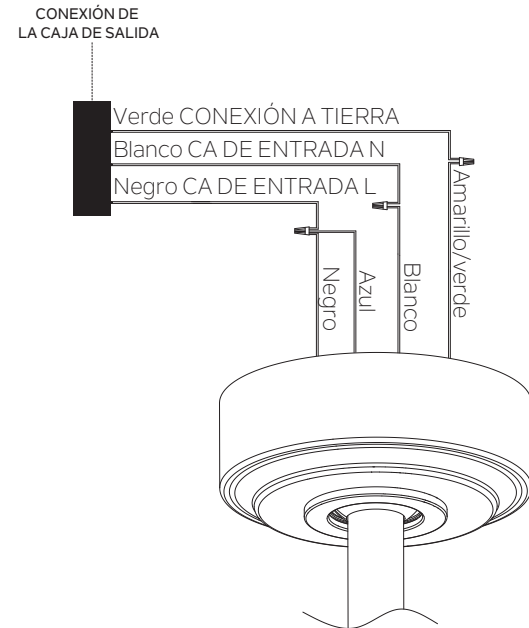


Figura 13

FINALIZACIÓN DE LA INSTALACIÓN

PRECAUCIÓN: Antes de continuar con la instalación, confirme que la energía aún está apagada en el disyuntor principal o retirando el fusible del circuito. Desactivar la energía con un interruptor de pared no es suficiente para evitar descargas eléctricas.

Paso 1. Afloje los dos tornillos de resalto en la parte inferior del soporte de montaje (no los retire). **(Figura 14)**

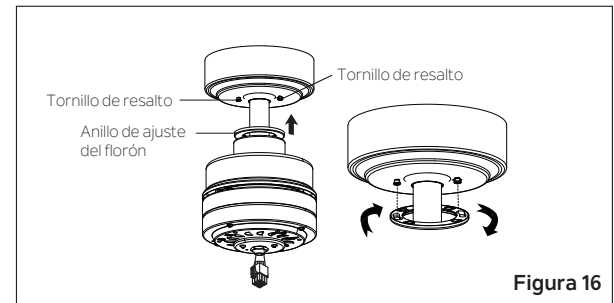
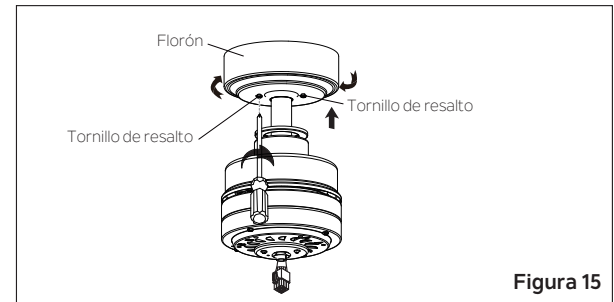
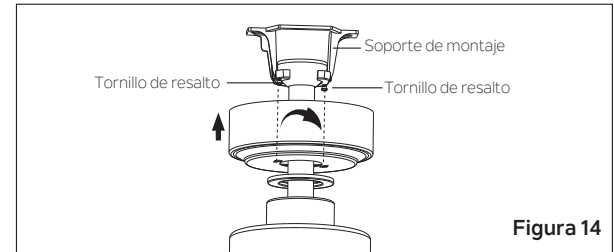
Paso 2. Levante el florón hasta el soporte de montaje. Coloque las ranuras de los orificios de chaveta del florón sobre los tornillos de resalto en el soporte de montaje. Gire el florón (en el sentido de las manecillas del reloj) hasta que el florón se trabe en su lugar con los tornillos de resalto (en los extremos angostos de las ranuras de los orificios de chaveta).

Apriete los dos tornillos de resalto para fijar el florón en su lugar. **(Figura 15)**

ADVERTENCIA: Asegúrese de que la “lengüeta de retención” en la parte inferior del soporte de montaje en el techo esté correctamente asentada en la “ranura de registro” en el lado de la bola de suspensión antes de fijar el florón al soporte de montaje en el techo.

Paso 3. Eleve el anillo de ajuste del florón hasta el florón. Coloque las ranuras de los orificios de chaveta del anillo de ajuste del florón sobre las cabezas de los tornillos de resalto. Gire el anillo de ajuste del florón (en el sentido de las manecillas del reloj) hasta que se trabe en su lugar con los tornillos de resalto (en los extremos angostos de las ranuras de los orificios de chaveta). **(Figura 16)**

NOTA: Ajuste los tornillos de resalto según sea necesario hasta que el florón y el anillo de ajuste del florón queden ajustados. **(Figura 16)**



INSTALACIÓN DE LAS ASPAS DEL VENTILADOR

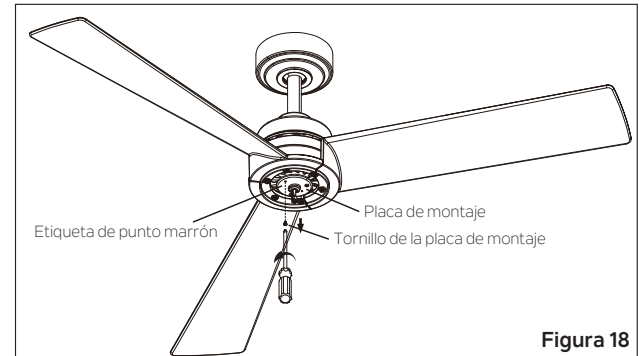
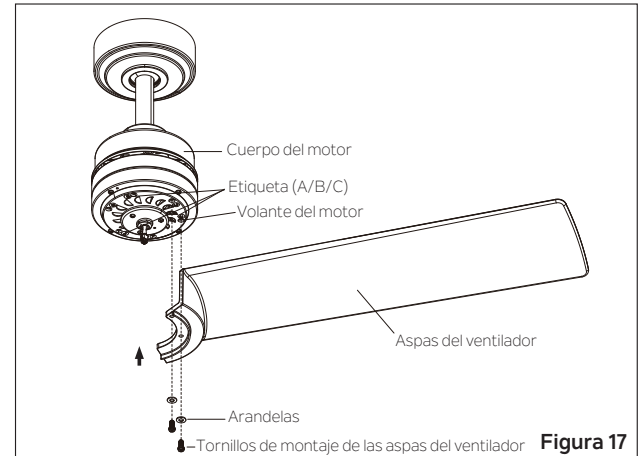
PRECAUCIÓN: Antes de continuar con la instalación, confirme que la energía aún está apagada en el disyuntor principal o retirando el fusible del circuito. Desactivar la energía con un interruptor de pared no es suficiente para evitar descargas eléctricas.

Paso 1. NOTA: Los orificios de las aspas del ventilador y los orificios del volante del motor están marcados como "A", "B" o "C". Alinee los orificios de las aspas del ventilador con los orificios del volante del motor (alinee A con A, B con B y C con C). Fije las aspas del ventilador al volante con las arandelas y los tornillos de montaje de las aspas del ventilador provistos. Apriételos para fijarlas. **(Figura 17)**

INSTALACIÓN DE LA CUBIERTA DEL INTERRUPTOR

PRECAUCIÓN: Antes de continuar con la instalación, confirme que la energía aún está apagada en el disyuntor principal o retirando el fusible del circuito. Desactivar la energía con un interruptor de pared no es suficiente para evitar descargas eléctricas.

Paso 1. Retire de la placa de montaje el tornillo de la placa de montaje que está marcado con una etiqueta de punto marrón. Conserve el tornillo de la placa de montaje. Afloje los otros dos tornillos de la placa de montaje (no los retire). **(Figura 18)**



INSTALACIÓN DE LA CUBIERTA DEL INTERRUPTOR (CONTINUACIÓN)

Paso 2. Coloque las ranuras de los orificios de chaveta de la cubierta del interruptor sobre los 2 tornillos de la placa de montaje que se aflojaron en la placa de montaje. Gire la cubierta del interruptor (en el sentido de las manecillas del reloj) hasta que se traben en su lugar con los tornillos de la placa de montaje en los extremos angostos de las ranuras de los orificios de chaveta.

Alinee el orificio restante de la cubierta del interruptor con el orificio restante de la placa de montaje. Instale en los orificios alineados el tornillo de la placa de montaje que se retiró de la placa de montaje. Apriete los tres tornillos de la placa de montaje para fijar la cubierta del interruptor en su lugar. **(Figura 19)**

INSTALACIÓN DE LA CARCASA DEL INTERRUPTOR

PRECAUCIÓN: Antes de continuar con la instalación, confirme que la energía aún está apagada en el disyuntor principal o retirando el fusible del circuito. Desactivar la energía con un interruptor de pared no es suficiente para evitar descargas eléctricas.

Paso 1. Retire los tres tornillos de montaje preinstalados del borde exterior de la cubierta del interruptor. Conserve los tornillos de montaje. **(Figura 20)**

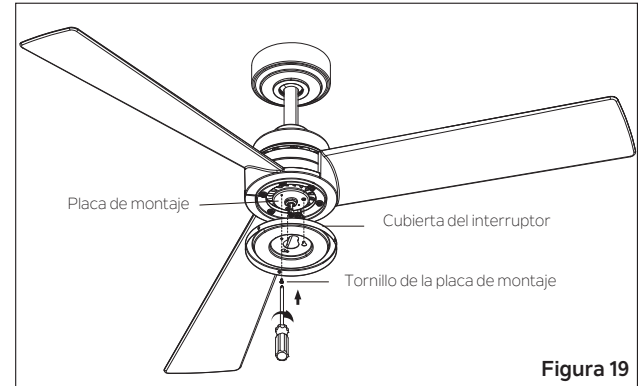


Figura 19

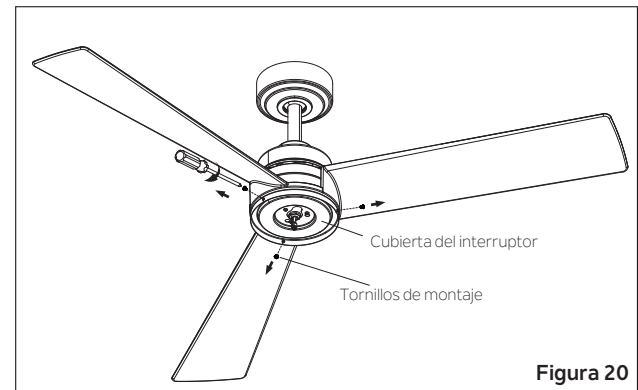


Figura 20

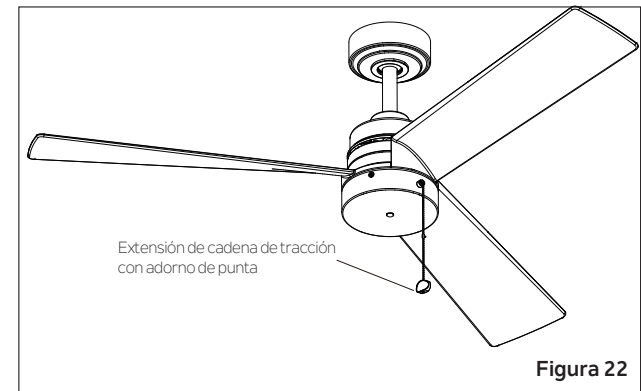
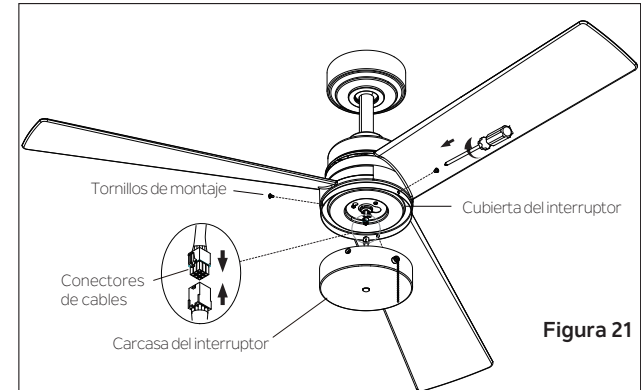
INSTALACIÓN DE LA CARCASA DEL INTERRUPTOR (CONTINUACIÓN)

Paso 2. Levante la carcasa del interruptor cerca del ventilador y empuje los conectores de cables cuadrado para juntarlos (uno del ventilador y otro de la carcasa del interruptor). **(Figura 21)**

NOTA: Los conectores SOLO se conectarán cuando las franjas codificadas por colores coincidan (queden alineadas).

Paso 3. Empuje con cuidado todos los cables al interior de la carcasa del interruptor. Fije la carcasa del interruptor a la cubierta del interruptor con los tornillos de montaje que se retiraron en el paso 1. Asegúrese de que cada tornillo esté apretado. **(Figura 21)**

Paso 4. Instale la extensión de cadena de tracción con adorno de punta. **(Figura 22)**



INSTRUCCIONES DE FUNCIONAMIENTO

Active la energía y verifique el funcionamiento del ventilador de techo. Mediante la cadena de tracción se controlan las tres velocidades del ventilador de techo. **(Figura 23)**

1.º tirón = alta, 2.º tirón = media, 3.º tirón = baja, y el 4.º tirón apaga el motor del ventilador.

ADVERTENCIA: No opere el interruptor de inversión de dirección mientras las aspas del ventilador estén en movimiento. El ventilador debe estar apagado y las aspas detenidas antes de invertir la dirección de las aspas.

Mediante el interruptor en el lado de la carcasa del interruptor se controla la dirección de las aspas del ventilador: "avance" o "reversa". **(Figura 23)**

Operación en clima cálido: Avance (el ventilador gira en sentido contrario a las manecillas del reloj). Un flujo de aire descendente crea un efecto de enfriamiento **(Figura 24)**. Esto le permite configurar su aire acondicionado en una temperatura más alta sin afectar su comodidad general.

Operación en clima frío: Reversa (el ventilador gira en el sentido de las manecillas del reloj).

Un flujo de aire ascendente mueve el aire caliente de las áreas del techo **(Figura 25)**. Esto le permite configurar su unidad de calefacción en una temperatura más baja sin afectar su comodidad general.

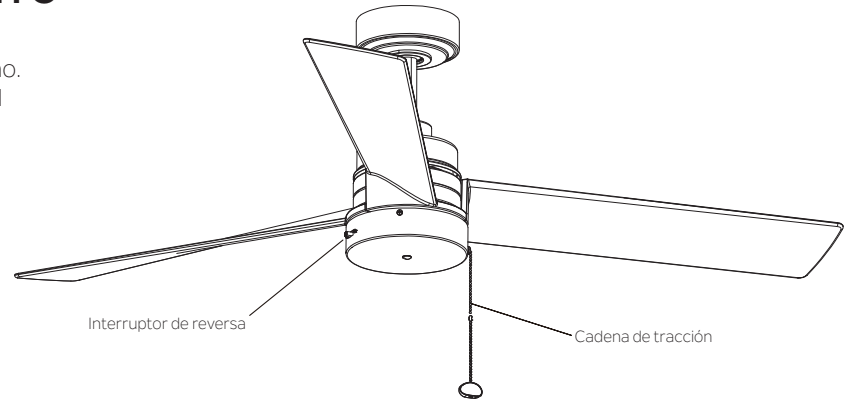


Figura 23

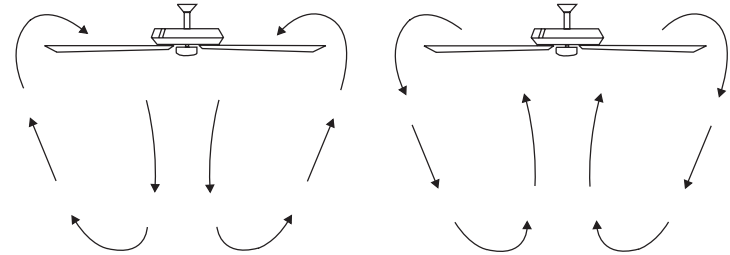


Figura 24

Figura 25

RESOLUCIÓN DE PROBLEMAS

Problema

Solución

El ventilador no arranca.

1. Verifique los fusibles o disyuntores del circuito.
2. Verifique todas las conexiones eléctricas para asegurar un contacto adecuado.

PRECAUCIÓN: Asegúrese de que la alimentación principal esté apagada cuando verifique cualquier conexión eléctrica.

El ventilador suena ruidoso.

1. Asegúrese de que todos los tornillos de la carcasa del motor estén ajustados.
2. Asegúrese de que los tornillos que sujetan los soportes de las aspas del ventilador al motor estén apretados.
3. Asegúrese de que las conexiones de tuercas para cables no se froten entre sí o con la pared interior de la carcasa del interruptor.
PRECAUCIÓN: Asegúrese de que la energía principal esté apagada.
4. Permita un período de “rodaje” de 24 horas. La mayor parte del ruido asociado con un ventilador nuevo desaparece durante este tiempo.
5. Si usa un kit de luz opcional, asegúrese de que los tornillos que sujetan la pantalla de cristal estén bien apretados. Asegúrese de que las bombillas no toquen ningún otro componente.
6. No conecte este ventilador a un control de velocidad variable montado en la pared. No son compatibles con motores de ventiladores de techo o controles remotos.
7. Asegúrese de que el florón superior esté a poca distancia del techo. No debe tocar el techo.

El ventilador presenta oscilación.

1. Verifique que todas las aspas y los tornillos de los brazos de las aspas estén firmes.
2. La mayoría de los problemas de oscilación del ventilador se deben a que los niveles de las aspas no son iguales. Compruebe este nivel seleccionando un punto en el techo por encima de la punta de una de las aspas. Mida esta distancia. Gire el ventilador hasta que se coloque la siguiente aspa para medirla. Repita la operación para cada aspa. La desviación de las distancias debe ser igual con una tolerancia de 3 mm (1/8 in).
3. Si aún se nota oscilación de las aspas, intercambiar dos aspas adyacentes (una al lado de la otra) puede redistribuir el peso y posiblemente produzca un funcionamiento más fluido.

ADVERTENCIA: Para reducir el riesgo de lesiones personales y para asegurar el funcionamiento adecuado del ventilador de techo, nunca conecte los conjuntos de las aspas hasta que el ventilador de techo se haya montado en el techo.

No doble el aspa mientras instala, balancea o limpia el ventilador. No introduzca objetos extraños entre las aspas del ventilador que están girando.

KICHLER®

www.kichler.com

KICHLER LIGHTING LLC

30455 Solon Rd.

Solon, OH 44139, EE. UU.

SERVICIO AL CLIENTE 866.558.5706

8:00 A. M. A 5:00 P. M. EST, DE LUNES A VIERNES

REV. 14-NOV-2023

© Kichler Lighting LLC. Todos los derechos reservados.