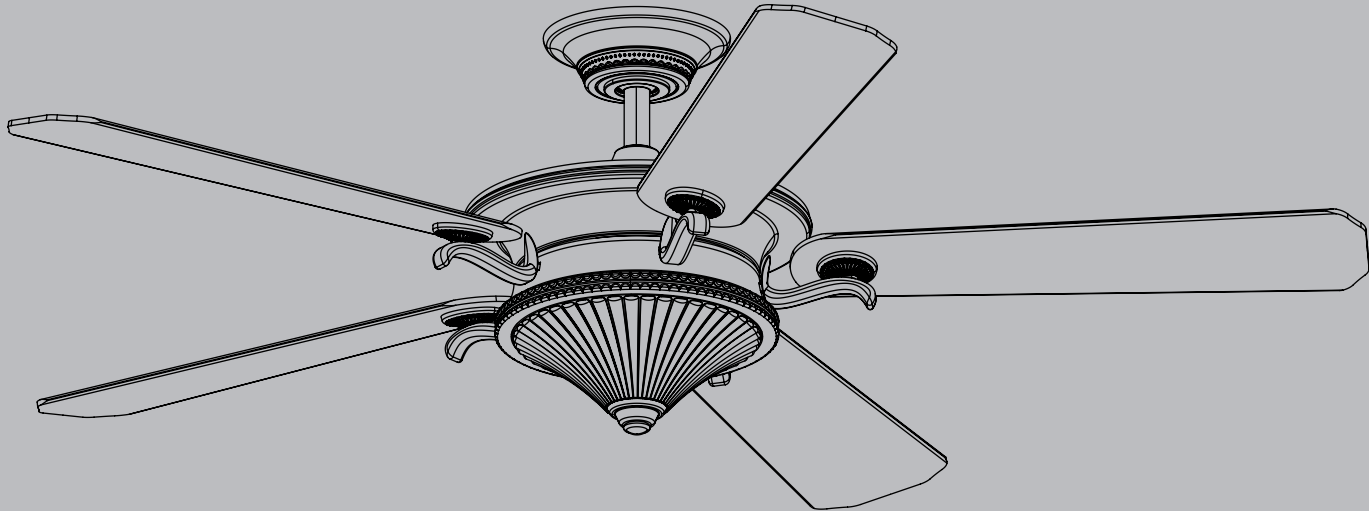


KICHLER®

60" Rise

Product images may vary slightly from actual product.



READ AND SAVE THESE INSTRUCTIONS

INSTRUCTION MANUAL
Model# 300370

TABLE OF CONTENTS

SAFETY RULES.....	3	COMPLETING THE MOTOR INSTALLATION	14
TOOLS REQUIRED	5	ATTACHING THE FAN BLADES	15
PACKAGE CONTENTS	5	INSTALLING THE LIGHT PLATE	16
MOUNTING OPTIONS	6	INSTALLING THE LIGHT KIT AND GLASS SHADE	17
HANGING THE MOTOR ASSEMBLY	7	SENSORLESS DC CONTROL PAIRING PROCEDURES ...	18
INSTALLATION OF SAFETY SUPPORT.....	10	OPERATING INSTRUCTIONS	18
ELECTRICAL CONNECTIONS	11	FCC INFORMATION	19
INSTALLING THE WALL CONTROL	13	TROUBLESHOOTING	20

SAFETY RULES

READ AND SAVE THESE INSTRUCTIONS

WARNING: FOR CANADA, THIS FAN MUST BE SECURED DIRECTLY TO THE BUILDING STRUCTURE / CEILING JOIST. DON'T SECURE THIS FAN TO AN OUTLET BOX.

- 1. CAUTION – RISK OF SHOCK –**
Disconnect Power at the main circuit breaker panel or main fusebox before starting and during the installation.
- 2. WARNING: This fixture is intended for installation in accordance with the National Electrical Code (NEC) and all local code specifications. If you are not familiar with code requirements, installation by a certified electrician is recommended.**
- 3. WARNING: To reduce the risk of fire or electric shock, use only the control provided with the fan.**
- 4. WARNING: To reduce the risk of fire, electric shock, or Personal Injury mount to an outlet box marked “Acceptable For Fan Support of up to 15.9 kg (35 lbs)”. For outlet box mounting, use mounting screws (and lock washers) provided with the outlet box. Most outlet boxes commonly used for the support of light fixtures are not acceptable for fan support and**
may need to be replaced. Due to the complexity of the installation of this fan, a qualified licensed electrician is strongly recommended.
- 5. All wiring must be in accordance with the National Electrical Code ANSI/NFPA 70 and local electrical codes. Electrical installation should be performed by a qualified licensed electrician.**
- 6. The outlet box and support structure must be securely mounted and capable of reliably supporting a minimum of 15.9 kg (35 pounds). Use only cULus Listed outlet boxes marked “FOR FAN SUPPORT”.**
- 7. WARNING: TO REDUCE THE RISK OF FIRE, ELECTRIC SHOCK OR PERSONAL INJURY, MOUNT FAN TO OUTLET BOX MARKED “ACCEPTABLE FOR FAN SUPPORT”.**
- 8. Avoid placing objects in the path of the blades.**

SAFETY RULES

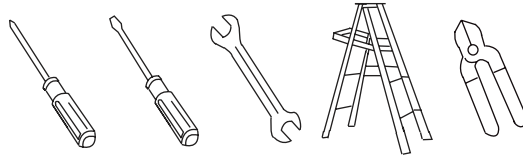
9. To avoid personal injury or damage to the fan and other items, be cautious when working around or cleaning the fan.
10. Make sure the installation site you choose allows a minimum clearance of 2.1 m (7 feet) from the blades to the floor and at least 30 inches from the ends of the blades to any obstruction.
11. To operate the reverse function on this fan, press the reverse button while the fan is running.
12. **WARNING:** make sure the power is disconnected before cleaning your fan.
13. Do not use water or detergents when cleaning the fan or fan blades. A dry dust cloth or lightly dampened cloth will be suitable for most cleaning.
14. After making the electrical connections, spliced conductors should be turned upward and pushed carefully up into outlet box. The wires should be spread apart with the grounded conductor and the equipment-grounding conductor on one side of the outlet box and the ungrounded conductor on the other side of the outlet box.
15. Electrical diagrams are for reference only. Light kits that are not packed with the fan must be ETL Listed and marked suitable for use with the model fan you are installing. Switches must be ETL General Use Switches. Refer to the Instructions packaged with the light kits and switches for proper assembly.
16. All set screws must be checked, and retightened where necessary, before installation.
17. The subject fan 300370 weight information is as below:
Net Weight : 10.7 kgs / 23.54 lbs;
Gross Weight: 12 kgs / 26.4 lbs.

WARNING

TO REDUCE THE RISK OF PERSONAL INJURY, DO NOT BEND THE BLADE BRACKETS DURING ASSEMBLY OR AFTER INSTALLATION. DO NOT INSERT OBJECTS IN THE PATH OF THE BLADES.

TOOLS AND MATERIALS REQUIRED

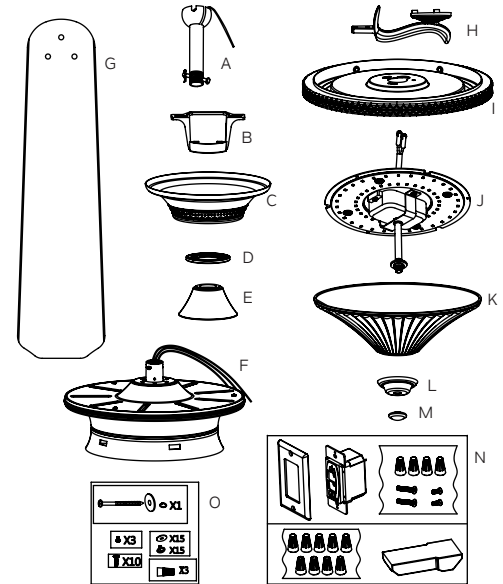
- Phillips Screwdriver
- Blade Screwdriver
- 11 mm Wrench
- Step Ladder
- Wire Cutters



PACKAGE CONTENTS

Unpack your fan and check the contents . You should have the following items:

- | | |
|---|--|
| <ul style="list-style-type: none"> A. Ball/Downrod Assembly B. Mounting Bracket C. Canopy D. Canopy Hole Cover E. Coupling Cover F. Motor Assembly G. Blade (5) H. Bracket Assembly (5) I. Light Plate J. Light Kit K. Glass Shade L. Finial Cap M. Finial | <ul style="list-style-type: none"> N. Wall Control Unit
Face plate (1); Wall control (1); Receiver(1);
Wire Connector (4+9);
Short screw (2); Long screw (2); O. Package hardware
1.) Safety cable hardware: Wood screw (1);
Spring washer (1); Flat washer (1)
2.) Mounting hardware: Wire Connector (3);
3.) Blade attachment hardware: Screw (15);
Washer (15)
4.) Light kit attachment hardware: Screw (3)
5.) Blade bracket attachment hardware:
Screw (10) |
|---|--|



MOUNTING OPTIONS

If there is not an existing UL (cUL for Canadian Installation) listed mounting box, then read the following instructions. Disconnect the power by removing fuses or turning off circuit breakers.

Secure the outlet box directly to the building structure. Use appropriate fasteners and building materials. The outlet box and its support must be able to fully support the full weight of the fan (up to 15.9kg (35 pounds)). Do not use plastic outlet boxes.

Figures 1, 2 and 3 are examples of different ways to mount the outlet box.

NOTE: If you are installing the ceiling fan on a sloped (vaulted) ceiling, you may need a longer downrod to maintain proper clearance between the tip of the blade and the ceiling. A minimum clearance of 12" is suggested for optimal operation.

NOTE: You must use 12" or longer downrod for 22° slope (max angle 22°). (Fig. 3)

NOTE: Depending on the location you have selected for installation, you may need to purchase and install a joist hanger for the support of the outlet box. Make sure the joist hanger you purchase has been designed for use with ceiling fans. (Fig. 4)

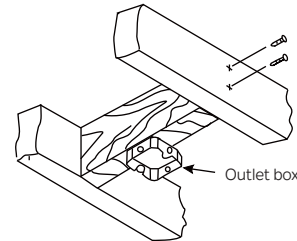


Fig. 1

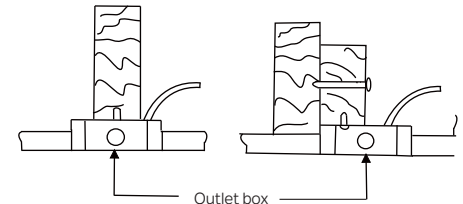


Fig. 2

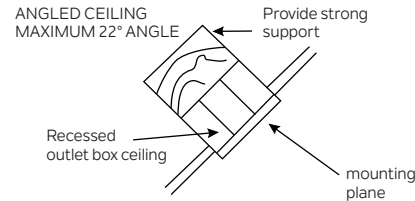
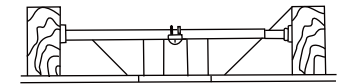


Fig. 3



Outlet box

Fig. 4

HANGING THE MOTOR ASSEMBLY

REMEMBER to turn off the power before you begin installation. This is necessary for your safety and also the proper programming of the control system.

To properly install your ceiling fan, follow the steps below.

Step 1. Before attaching fan to outlet box (not included), ensure the outlet box is securely fastened to at least two points to a structural ceiling member (a loose box will cause the fan to wobble). Pass the 120 volt supply wires from the ceiling outlet box through the center of the ceiling mounting bracket. Install mounting bracket to outlet box in ceiling using the screws and washers included with the outlet box. (Fig. 5)

Step 2. Remove the hairpin and clevis pin from the downrod assembly, retain for later use. Remove the hanger ball from the downrod assembly by loosening set screw, removing the cross pin, and sliding ball of the rod. (Fig. 6)

NOTE: Make sure to keep loosened hardware separate to avoid confusion during installation.

Step 3. Loosen the two set screws on the motor coupling. (Fig. 7)

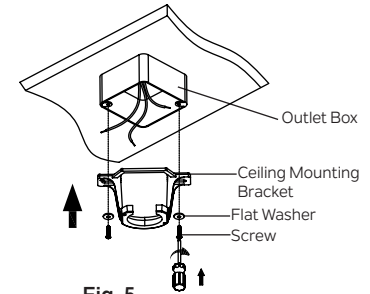


Fig. 5

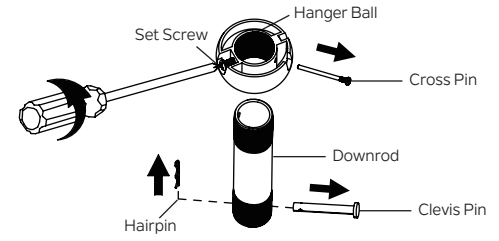


Fig. 6

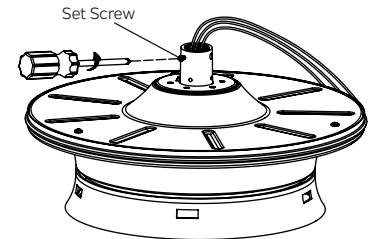


Fig. 7

HANGING THE MOTOR ASSEMBLY (continued)

Step 4. Carefully feed fan wires and safety cable up through the downrod. Thread the downrod onto the motor coupling until the clevis pin holes are aligned. Next, replace the clevis pin and hairpin, then tighten both set screws. (Fig. 8)

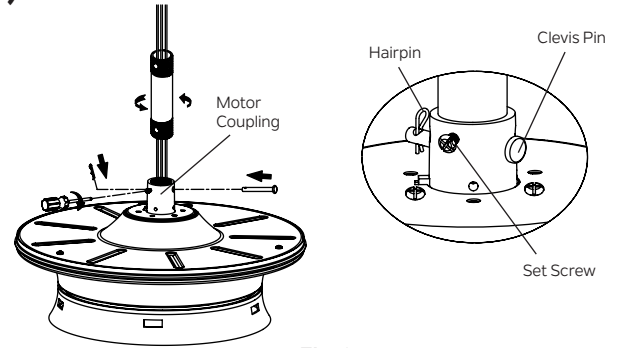


Fig. 8

Step 5. Slip the coupling cover, canopy hole cover and canopy onto the downrod. Carefully reinstall the hanger ball onto the downrod. Make sure the cross pin is in the correct position and the set screw is tight and the wires are not twisted. (Fig. 9)

CAUTION: Ensure all screws are tight before moving to the next step.

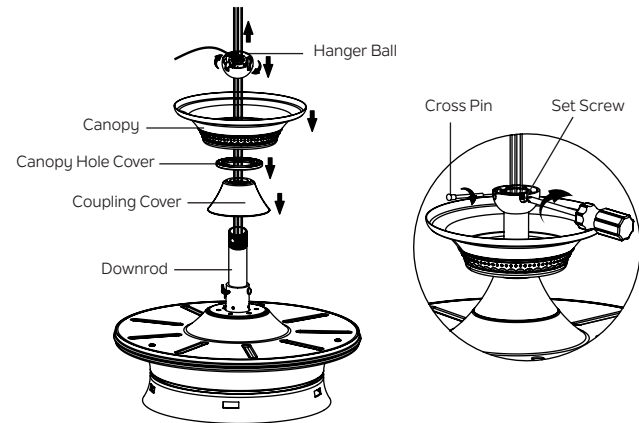


Fig. 9

HANGING THE MOTOR ASSEMBLY (continued)

Step 6. Now lift the motor assembly into position and place the hanger ball into the mounting bracket. Rotate until the check tab has dropped into the registration slot and seats firmly. (Fig. 10) The entire motor body should not rotate if this is done correctly.

WARNING: Failure to properly seat the check tab can damage the ceiling fan during operation.

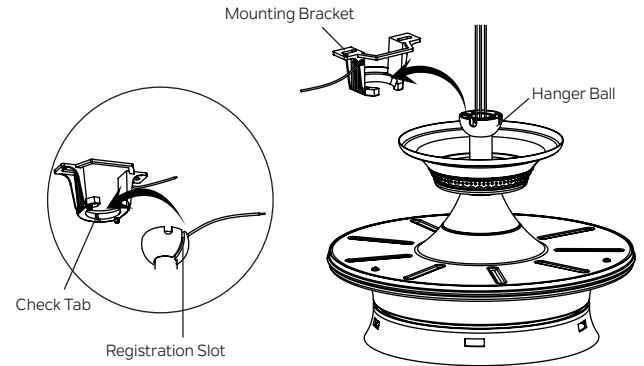


Fig. 10

INSTALLATION OF SAFETY SUPPORT (required for Canadian installation ONLY)

A safety support cable is provided to help prevent the ceiling fan from falling, please install it as follows.

Step 1. Drive a wood screw and washers into the side of the brace that holds the outlet box. Leave 3mm (1/8") of space between the support brace and the washer. (Fig. 11)

Step 2. Insert the safety cable through the mounting bracket and one of the holes in the outlet box into the ceiling. Adjust the length of the safety cable to reach the screw and washers by pulling the extra cable through the cable clamp until the overall length is correct, put the end of the cable back through the cable clamp, forming a loop at the end of the cable. Tighten the cable clamp securely. Now, put the loop in the end of the safety cable over the wood screw and under the washer. Tighten the wood screw securely. (Fig. 12)

NOTE: Although the safety support cable is required for Canadian installations only, it's a good idea to make the attachment with any installation.

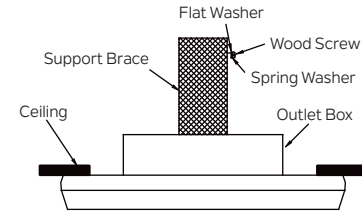


Fig. 11

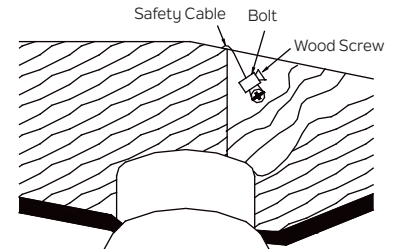


Fig. 12

ELECTRICAL CONNECTIONS

WARNING: To avoid possible electrical shock, be sure you have turned off the power at the main circuit panel before wiring.

Follow the steps below to connect the fan to your household wiring. Use the wire connectors supplied with your fan. Secure the connector with electrical tape. Make sure there are no loose wire stands or connections.

WARNING: If your house wires are different colors than referenced in this manual, stop immediately. A professional electrician is recommended to determine proper wiring.

Step 1. Insert the receiver into the mounting bracket, and keep flat in opposition of ceiling. (Fig.13)

Step 2. Connect wires using the connectors as shown in WIRE DIAGRAM. (Fig.14)

WARNING: Check to see that all connections are tight, including ground, and that no bare wire is visible at the wire connections.

Step 3. After connections have been made, put the white and green leads (green or bare copper) to one side and the black leads towards the other side, the connection should be turned upward and carefully push leads into the outlet box. The wires should be spread apart with the grounded conductor and the equipment-grounding conductor on one side of the outlet box and the ungrounded conductor on the other side.

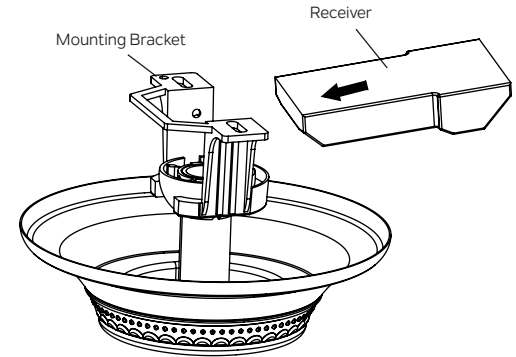


Fig. 13

WIRE DIAGRAM

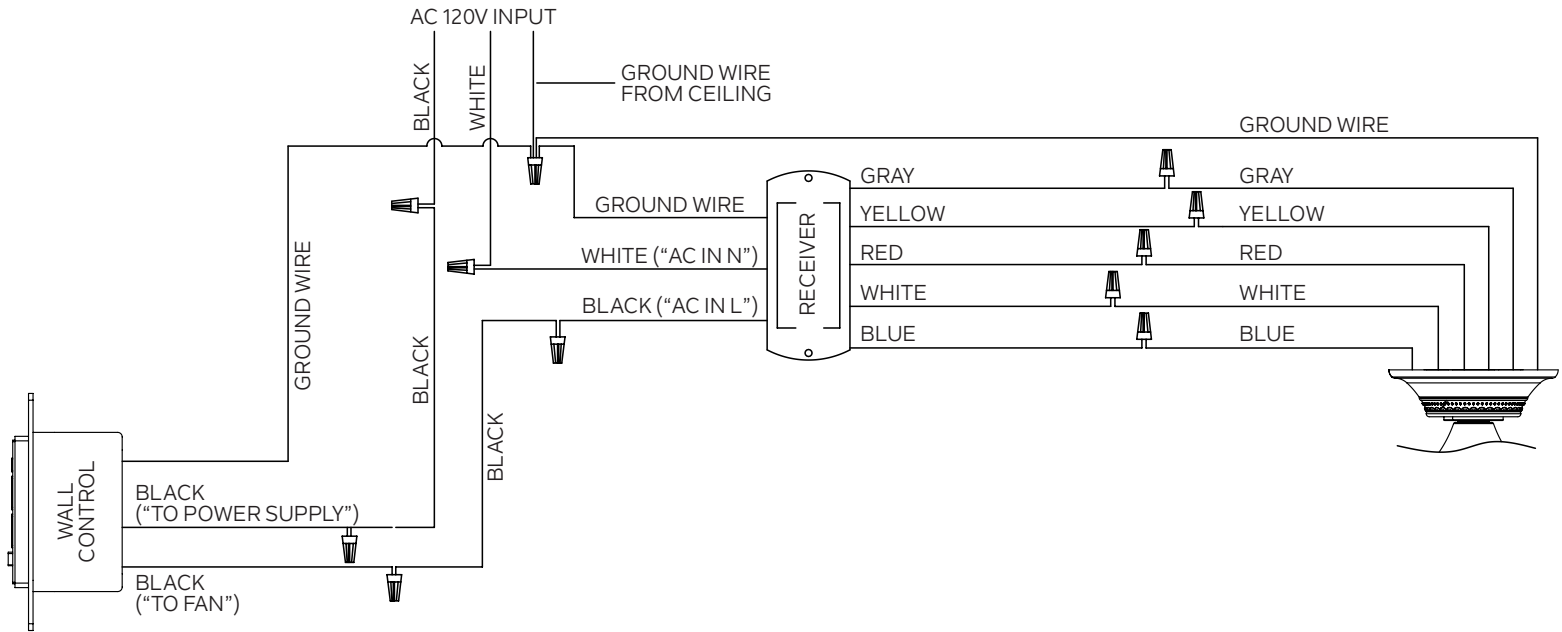


Fig. 14

INSTALLING THE WALL CONTROL

WARNING: All wiring must be in accordance with the National Electrical Code and local electrical codes. Electrical installation should be performed by a qualified licensed electrician.

WARNING: SWITCH INSTALLATION MUST COMPLY WITH ALL LOCAL AND NATIONAL ELECTRIC CODES.

WARNING: Shut off main power at the circuit breaker or fuse panel before continuing.

Step 1. Remove the existing wall plate and switch from the wall outlet box. Disconnect wires from existing switch. (Fig. 15)

Step 2. Install the wall control to the outlet box, connecting the wires with wire connectors provided. (Fig. 16)

*Connect the black wire from the outlet box that supplies power to the wall control to black wire marked "TO POWER SUPPLY" from wall control.

*Connect the black wire from the outlet box that goes to the fan to black wire marked "TO FAN" from wall control.

*Connect the bare copper ground wire from the outlet box to bare copper ground wire from wall control.

*Connect the two white neutral wires in the outlet box together (if not already connected).

Step 3. Secure the wire connectors and make sure there are no loose strands or connections. Carefully tuck wire connections back inside outlet box and secure the wall control to outlet box with screws provided. Secure face plate to wall control using the screws provided.

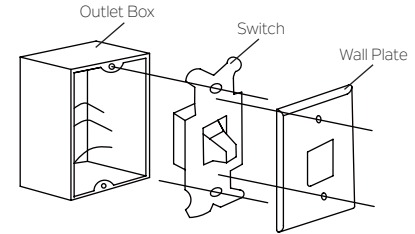


Fig. 15

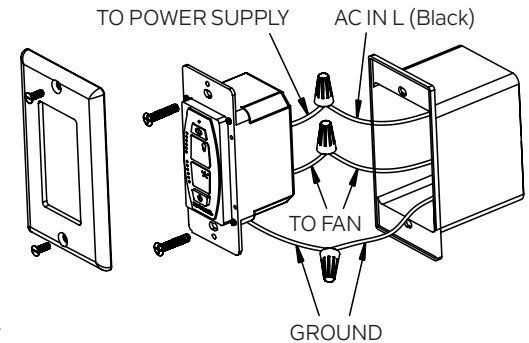


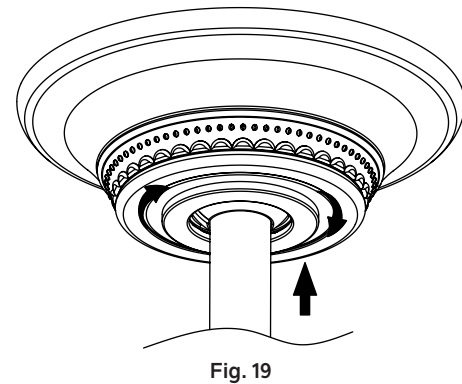
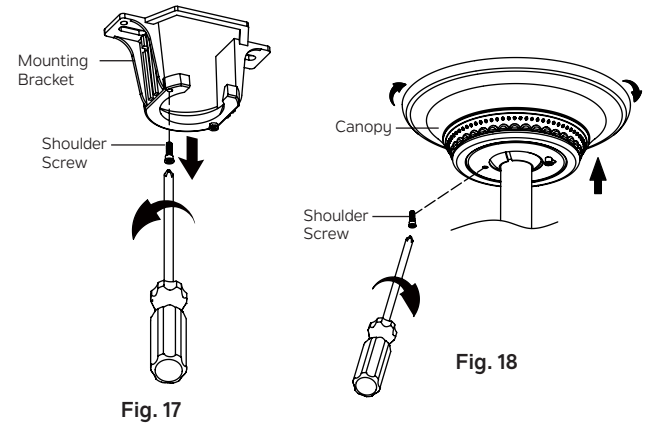
Fig. 16

COMPLETING THE MOTOR INSTALLATION

Step 1. Remove one of the two shoulder screws in the mounting bracket. Loosen the second shoulder screw without fully removing it. (Fig. 17)

Step 2. Assemble canopy by rotating key slot in canopy over shoulder screw in mounting bracket. Reinstall the shoulder screw that was previously removed, then retighten two shoulder screws securely. (Fig. 18)

Step 3. Securely attach and tighten the canopy hole cover over the shoulder screws in the mounting bracket utilizing the keyslot twist-lock feature.(Fig.19)



ATTACHING THE FAN BLADES

CAUTION: To Reduce The Risk Of Electric Shock, Disconnect The Electrical Supply Circuit To The Fan Before Installing Fan Blades.

Step 1. Attach the blades to the bracket assemblies as shown, securely tighten with screws and washers from the hardware pack. (Fig. 20)

Step 2. Slide the blade assemblies into the holes on the flywheel and securely tighten the with the screws from the hardware pack as shown. (Fig.21)

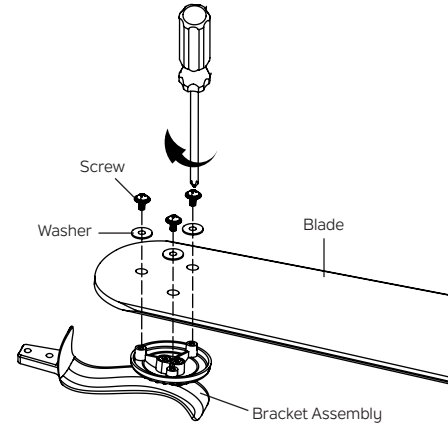


Fig. 20

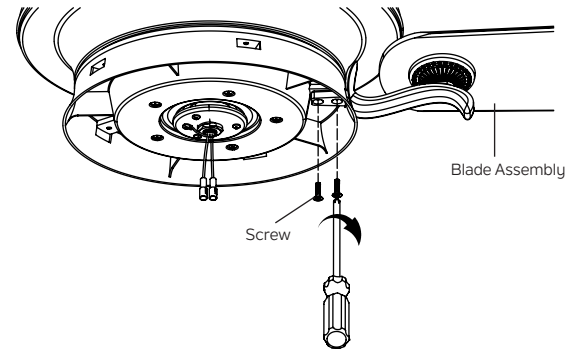


Fig. 21

INSTALLING THE LIGHT PLATE

Step 1. Remove the screw marked with a brown dot label on the mounting plate and keep for later use. Loosen the other two (do not remove).(Fig.22)

Step 2. Place the two slot holes on the light plate over the 2 screws previously loosened from the mounting plate. Rotate the light plate until it locks in place at the narrow end of the key holes. Secure by tightening the 2 screws previously loosened and the one previously removed. (Fig. 23)

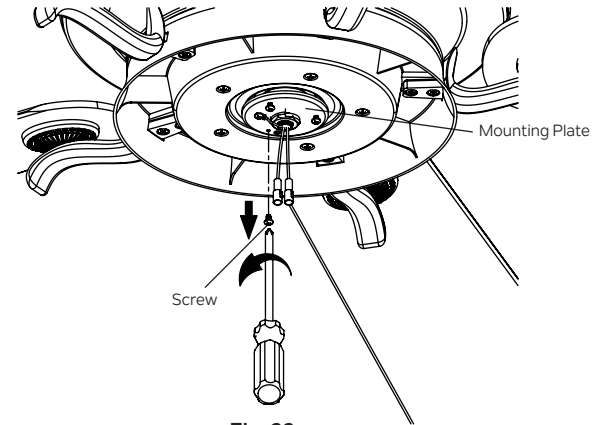


Fig. 22

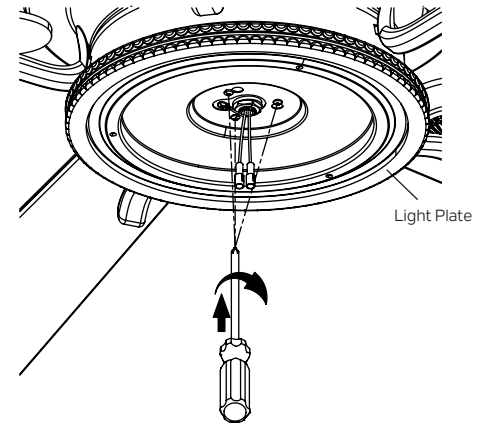


Fig. 23

INSTALLING THE LIGHT KIT AND GLASS SHADE

CAUTION: To Reduce The Risk Of Electric Shock, Disconnect The Electrical Supply Circuit To The Fan Before Installing Light Kit.

Step 1. Hold the LED light kit to light plate, then connect the 2 single pin connectors from the light kit to the 2 single pin connectors from the motor assembly. Connect the black wire to the black wire, and white wire to the white wire. Attach the light kit to the light plate and securely tighten with three (3) screws from the screw pack (Fig. 24)

Step 2. Remove and retain the manual nut, metal washer and silicone washer from the threaded rod on the light kit. (Fig. 25)

Step 3. Lift the glass shade up to the light kit, allowing the threaded rod to go through the center hole in the bottom of the glass shade. Place the silicon washer and metal washer over the threaded rod, then screw the manual nut onto the threaded rod until tight. DO NOT OVER-TIGHTEN. (Fig. 25)

Step 4. Install the finial cap and finial onto the threaded rod and tighten securely. (Fig. 25)

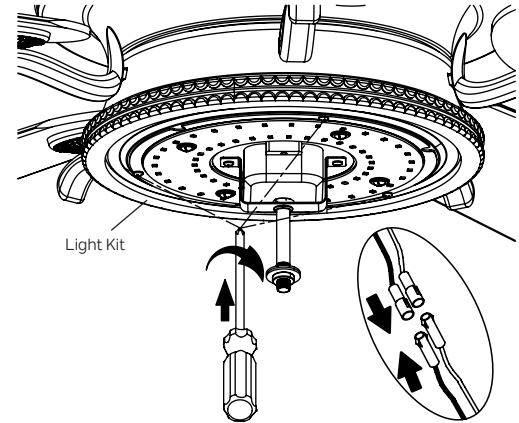


Fig. 24

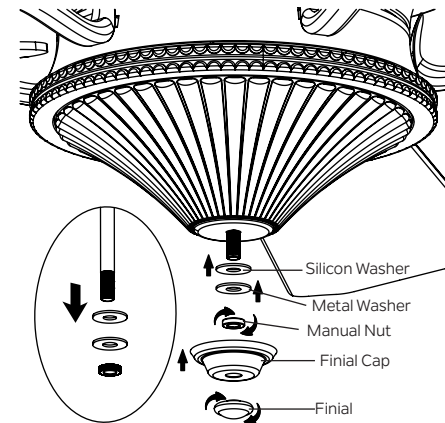





Fig. 25

SENSORLESS DC CONTROL PAIRING PROCEDURES

IMPORTANT: Ceiling fan blades MUST be installed before pairing procedure can begin.


Step 1. Press the power button “” to turn off the wall control (the button will be up). Restore electricity to the ceiling fan branch circuit at the circuit breaker or fuse box. Within 60 seconds of turning on the power, press the “” power button to turn on the wall control (the button will be down) and then press the “” reverse button for 3 to 5 seconds. The light will flash twice, and at the same time, the fan will run for a while and then stop. The remote will now be programmed to your fan and ready for use.

IMPORTANT: Do not press any buttons on the remote until after the pairing process is complete. Wait until after the fan has come to a complete stop.

Step 2. Try different speed settings on the wall control to ensure the fan is now fully functional. If programming is unsuccessful, retry the process starting from step 1 again.

OPERATING INSTRUCTION

Press the power button “” once to turn ON (or OFF) the fan. (Fig. 26)

To set the desired fan speed, press and hold the “” button to decrease and increase the speed. (Fig. 26)

To turn the light on and off, press and release the light “” button. To set the light intensity, press and hold the light button. The light will turn on at the light intensity previously selected. (Fig. 26)

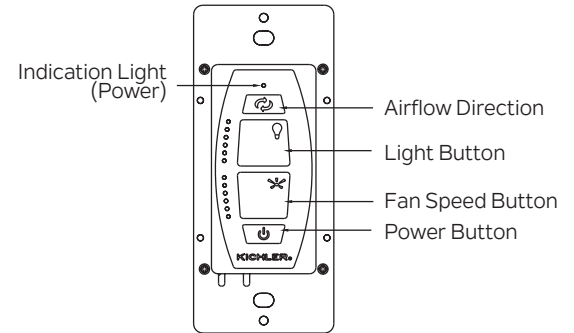



Fig.26

REVERSE FUNCTION

To operate the reverse function on this fan, press the “” reverse button while fan is running. Speed setting for warm or cool weather depends on factors such as the room size, ceiling height, number of fans and so on.

Warm Weather Operation: Forward (counter clockwise).A downward airflow creates a cooling effect (Fig.27). This allows you to set your air conditioner on a warmer setting without affecting your general comfort.

Cool Weather Operation: Reverse (clockwise). An upward airflow moves warm air off of the ceiling (Fig. 28). This allows you to set your heating unit on a cooler setting without affecting your general comfort.

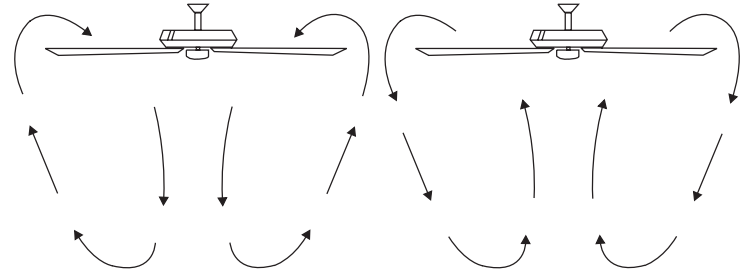


Fig. 27

Fig. 28

FCC Information

This device complies with part 15 of the FCC Rules. Operation is subject to the following two conditions:

- 1.)This device may not cause harmful interference, and
- 2.)This device must accept any interference received, including interference that may cause undesired operation.

Note: This equipment has been tested and found to comply with the limits for a Class B digital device, pursuant to part 15 of the FCC Rules. These limits are designed to provide reasonable protection against harmful interference in a residential installation. This equipment generates, uses and can radiate radio frequency energy and, if not installed and used in accordance with the instructions, may cause harmful interference to radio communications. However, there is no guarantee that interference will not occur in a particular installation. If this equipment does cause harmful interference to radio or television reception, which can be determined by turning the equipment off and on, the user is encouraged to try to correct the interference by one or more of the following measures:

- Reorient or relocate the receiving antenna.
- Increase the separation between the equipment and receiver.
- Connect the equipment into an outlet on a circuit different from that to which the receiver is connected.
- Consult the dealer or an experienced radio/TV technician or help.

TROUBLESHOOTING

Problem	Solution
Fan will not start.	<ol style="list-style-type: none">1. Check circuit fuses or breakers.2. Check all electrical connections to ensure proper contact. <p>CAUTION: Make sure the main power is OFF when checking any electrical connection.</p>
Fan sounds noisy.	<ol style="list-style-type: none">1. Make sure all motor housing screws are snug.2. Make sure the screws that attach the fan blade brackets to the motor are tight.3. Make sure wire nut connections are not rubbing against each other or the interior wall of the switch housing. <p>CAUTION: Make sure main power is off.</p> <ol style="list-style-type: none">4. Allow a 24-hour "breaking-in" period. Most noise associated with a new fan disappears during this time.5. If using an optional light kit, make sure the screws securing the glassware are tight. Make sure the light bulbs are not touching any other component.6. Do not connect this fan to a wall mounted variable speed control(s). They are not compatible with ceiling fan motors or remote controls.7. Make sure the upper canopy has a short distance from the ceiling. It should not touch the ceiling.
Fan wobble.	<ol style="list-style-type: none">1. Check that all blade and blade arm screws are secure.2. Most fan wobbling problems are caused when blade levels are unequal. Check this level by selecting a point on the ceiling above the tip of one of the blades. Measure this distance. Rotate the fan until the next blade is positioned for measurement. Repeat for each blade. The distance deviation should be equal within 1/8".3. If the blade wobble is still noticeable, interchanging two adjacent (side by side) blades can redistribute the weight and possibly result in smoother operation.
Remote control malfunction.	<ol style="list-style-type: none">1. Ceiling Fans with remote control systems CAN NOT be operated in conjunction with any other control system EXCEPT a basic On/off wall switch, if desired.

KICHLER®

www.kichler.com

KICHLER LIGHTING LLC
7711 EAST PLEASANT VALLEY ROAD
CLEVELAND, OHIO 44131

CUSTOMER SERVICE 866.558.5706
8:00 AM TO 5:00 PM EST, MONDAY - FRIDAY

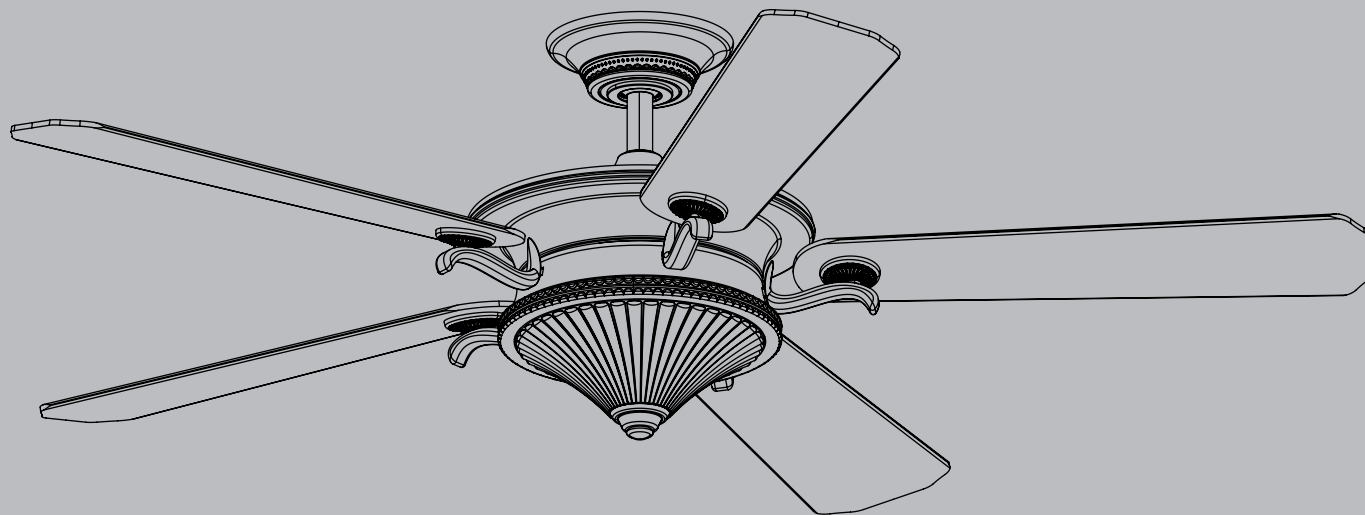
REV. 04-MAR-2022

© Kichler Lighting LLC. All Rights Reserved.

KICHLER®

Rise 152,40 cm (60 po)

Les images du produit peuvent varier légèrement par rapport au produit réel.



LISEZ ET CONSERVEZ CES INSTRUCTIONS

MANUEL D'INSTRUCTIONS
Modèle n° 300370

TABLE DES MATIÈRES

RÈGLES DE SÉCURITÉ	3	TERMINER L'INSTALLATION DU MOTEUR	14
OUTILS NÉCESSAIRES	5	FIXATION DES PALES DU VENTILATEUR	15
CONTENU DU COLIS	5	INSTALLATION DE LA PLAQUE D'ÉCLAIRAGE	6
OPTIONS DE MONTAGE	6	INSTALLATION DU KIT D'ÉCLAIRAGE ET DU VERRE ...	17
SUSPENDRE L'ENSEMBLE MOTEUR	7	PROCÉDURES D'APPARIEMENT DE LA COMMANDE CC SANS CAPTEUR	18
INSTALLATION DU SUPPORT DE SÉCURITÉ....	10	MODE D'EMPLOI	18
CONNEXIONS ÉLECTRIQUES	11	INFORMATIONS CFC	19
INSTALLATION DE LA COMMANDE MURALE	13	DÉPANNAGE	20

RÈGLES DE SÉCURITÉ

LISEZ ET CONSERVEZ CES INSTRUCTIONS

AVERTISSEMENT : POUR LE CANADA, CE VENTILATEUR DOIT ÊTRE FIXÉ DIRECTEMENT À LA STRUCTURE DU BÂTIMENT OU À LA SOLIVE DE PLAFOND. NE PAS FIXER CE VENTILATEUR À UNE BOÎTE DE SORTIE.

- 1. ATTENTION : RISQUE DE CHOC :** Débranchez l'alimentation au panneau du disjoncteur principal ou à la boîte à fusibles principale avant de démarrer et pendant l'installation.
- 2. AVERTISSEMENT :** Ce luminaire est conçu pour être installé conformément au National Electrical Code (NEC) et à toutes les particularités du code local. Si vous n'êtes pas familier avec les exigences du code, l'installation par un électricien certifié est recommandée.
- 3. AVERTISSEMENT :** Pour réduire le risque d'incendie ou d'électrocution, utilisez uniquement la commande fournie avec le ventilateur.
- 4. AVERTISSEMENT :** Pour réduire le risque d'incendie, d'électrocution ou de blessure corporelle, montez sur un boîtier de sortie marquée « Acceptable pour un support de ventilateur de 15,9 kg (35 lb) ou moins ». Pour le montage du boîtier de sortie, utilisez les vis de montage (et les rondelles d'arrêt) fournies avec le boîtier de sortie. Il faudra probablement remplacer la boîte de sortie, car la plupart des boîtes de sortie utilisées pour soutenir des appareils d'éclairage ne sont pas acceptables pour soutenir un ventilateur. En raison de la complexité de l'installation de ce ventilateur, un électricien agréé qualifié est fortement recommandé.
- 5. Tout le câblage doit être conforme au National Electrical Code ANSI/NFPA 70 et aux codes électriques locaux. L'installation électrique doit être effectuée par un électricien qualifié et agréé.**
- 6. La boîte de sortie et la structure de support doivent être solidement montées et capables de supporter de manière fiable un minimum de 15,9 kg (35 lb). Utilisez uniquement des boîtiers de sortie cULus portant la mention « FOR FAN SUPPORT ».**
- 7. AVERTISSEMENT : POUR RÉDUIRE LE RISQUE D'INCENDIE, D'ÉLECTROCUTION OU DE BLESSURES CORPORELLES, MONTEZ LE VENTILATEUR SUR UN BOÎTIER DE SORTIE MARQUÉE « ACCEPTABLE POUR UN SUPPORT DE VENTILATEUR ».**
- 8. Évitez de placer des objets sur la trajectoire des pales.**

RÈGLES DE SÉCURITÉ

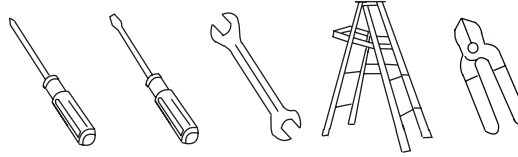
9. Pour éviter des blessures corporelles ou des dommages au ventilateur et à d'autres éléments, soyez prudent lorsque vous travaillez autour ou nettoyez le ventilateur.
10. Assurez-vous que le site d'installation que vous choisissez permet un dégagement minimum de 2,1 m (7 pi) entre les pales et le sol et d'au moins 30 pouces des extrémités des pales vers n'importe quel obstacle.
11. Pour activer la fonction d'inversion sur ce ventilateur, appuyez sur le bouton « Inversion » pendant que le ventilateur fonctionne.
12. **AVERTISSEMENT** : assurez-vous que l'alimentation est coupée avant de nettoyer votre ventilateur.
13. N'utilisez pas d'eau ou de détergents pour nettoyer le ventilateur ou les pales du ventilateur. Un chiffon sec à poussière ou un chiffon légèrement humide conviendra pour la plupart des nettoyages.
14. Après avoir effectué les raccordements électriques, les conducteurs raccordés doivent être tournés vers le haut et poussés avec précaution dans le boîtier de sortie. Les fils doivent être écartés avec le conducteur mis à la terre et le conducteur de mise à la terre de l'équipement d'un côté de la boîte de sortie et le conducteur non mis à la terre de l'autre côté de la boîte de sortie.
15. Les schémas électriques sont fournis à titre indicatif uniquement. Les kits d'éclairage qui ne sont pas fournis avec le ventilateur doivent être homologués ETL et étiquetés comme appropriés pour une utilisation avec le modèle de ventilateur que vous installez. Les commutateurs doivent être des commutateurs à usage général ETL. Reportez-vous aux instructions fournies avec les kits d'éclairage et les interrupteurs pour un assemblage correct.
16. Toutes les vis de réglage doivent être vérifiées et resserrées si nécessaire avant l'installation.
17. Les informations sur le poids du ventilateur 300370 sont les suivantes :
Poids net : 10,70 kg / 23,54 lb ;
Poids brut : 12 kg / 26,4 lb.

AVERTISSEMENT

**POUR RÉDUIRE LES RISQUES DE BLESSURES CORPORELLES,
NE PLIEZ PAS LES PALES PENDANT LE MONTAGE OU
APRÈS L'INSTALLATION.
NE PAS INSÉRER D'OBJETS SUR LE PASSAGE DES PALES.**

OUTILS ET MATÉRIAUX NÉCESSAIRES

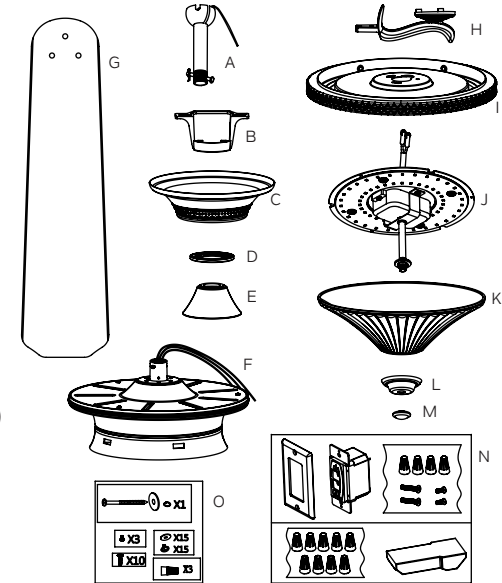
- Tournevis cruciforme
- Tournevis à lame
- Clé de 11 mm
- Escabeau
- Pincés coupantes



CONTENU DU COLIS

Déballer votre ventilateur et vérifiez le contenu. Vous devriez avoir les éléments suivants :

- | | |
|--|--|
| <p>A. Ensemble boule/
tige descendante</p> <p>B. Support de montage</p> <p>C. Monture</p> <p>D. Couvercle du trou de l'auvent</p> <p>E. Couvercle d'accouplement</p> <p>F. Assemblage du moteur</p> <p>G. Pale (5)</p> <p>H. Ensemble de support (5)</p> <p>I. Plaque d'éclairage</p> <p>J. Kit d'éclairage</p> <p>K. Abat-jour en verre</p> <p>L. Capuchon de fleuron</p> <p>M. Fleuron</p> | <p>N. °Unité de commande murale
Plaque frontale (1) ; commande murale (1) ;
récepteur(1) ; connecteur de fil (4+9) ;
vis courte (2) ; vis longue (2) ;</p> <p>O. Matériel d'emballage
1.) Matériel du câble de sécurité : Vis à bois (1) ;
rondelle à ressort (1) ; rondelle plate (1)
2.) Matériel de montage : Connecteur de fil (3) ;
3.) Matériel de fixation de pale : Vis (15) ; rondelles (15)
4.) Matériel de fixation du kit d'éclairage : Vis (3)
5.) Matériel de fixation du support de pale : Vis (10)</p> |
|--|--|



OPTIONS DE MONTAGE

S'il n'y a pas de boîtier de montage homologué UL (cUL pour installation canadienne), lisez les instructions suivantes. Débranchez l'alimentation en retirant les fusibles ou en désactivant les disjoncteurs.

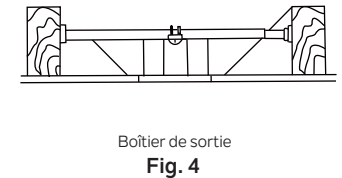
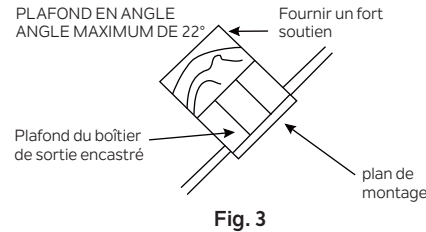
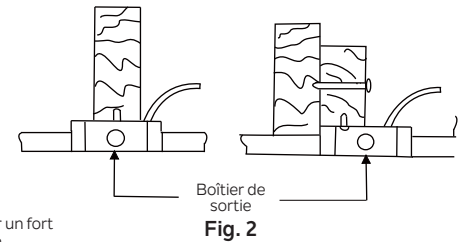
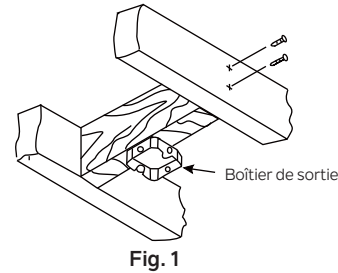
Fixez le boîtier de sortie directement à la structure du bâtiment. Utilisez des fixations et des matériaux de construction appropriés. Le boîtier de sortie et son support doivent pouvoir supporter entièrement le poids total du ventilateur (jusqu'à 15,9 kg (35 lb)). N'utilisez pas de boîtiers de sortie en plastique.

Les figures 1, 2 et 3 sont des exemples des différentes manières de monter le boîtier de sortie.

REMARQUE : Si vous installez le ventilateur de plafond sur un plafond en pente (voûté), vous aurez peut-être besoin d'une tige descendante plus longue pour maintenir un dégagement approprié entre la pointe de la pale et le plafond. Un dégagement minimum de 12" est suggéré pour un fonctionnement optimal.

REMARQUE : Vous devez utiliser une tige de descente de 30,48 cm (12 po) ou plus pour une pente de 22° (angle maximum de 22°). (Fig. 3)

REMARQUE : Selon l'endroit que vous avez choisi pour l'installation, vous devrez peut-être acheter et installer une suspente de solive pour soutenir le boîtier de sortie. Assurez-vous que la suspente de solive que vous achetez a été conçu pour être utilisé avec des ventilateurs de plafond. (Fig. 4)



SUSPENDRE L'ENSEMBLE MOTEUR

RAPPELEZ-VOUS de couper l'alimentation avant de commencer l'installation. Ceci est nécessaire pour votre sécurité et également pour la bonne programmation du système de commande.

Pour installer correctement votre ventilateur de plafond, suivez les étapes ci-dessous.

Étape 1. Avant de fixer le ventilateur au boîtier de sortie (non incluse), assurez-vous que le boîtier de sortie est solidement fixé à au moins deux points à un élément du plafond structurel (un boîtier desserré fera vaciller le ventilateur). Faites passer les fils d'alimentation de 120 volts du boîtier de sortie au plafond par le centre du support de montage au plafond. Installez le support de montage sur le boîtier de sortie au plafond à l'aide des vis et rondelles fournies avec le boîtier de sortie. (Fig. 5)

Étape 2. Retirez l'épingle et l'axe de chape de l'ensemble de tige de descente, conservez-les pour une utilisation ultérieure. Retirez la boule de suspension de l'assemblage de la tige descendante en desserrant les vis de réglage, en retirant la goupille transversale et en tournant la boule hors de la tige. (Fig. 6)

REMARQUE : Assurez-vous de garder le matériel détaché séparément pour éviter toute confusion lors de l'installation.

Étape 3. Desserrez les deux vis de réglage sur le couplage du moteur. (Fig. 7)

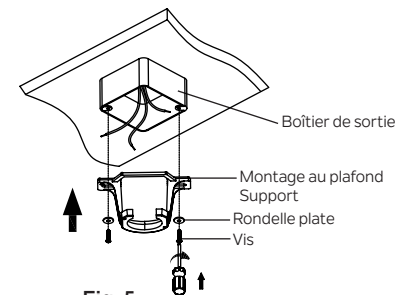


Fig. 5

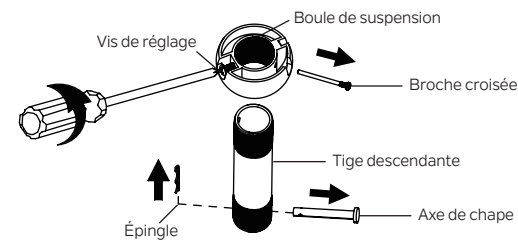


Fig. 6

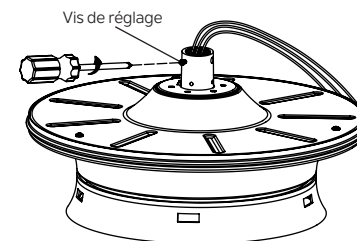


Fig. 7

SUSPENDRE L'ENSEMBLE MOTEUR (suite)

Étape 4. Faites passer avec précaution les fils du ventilateur et le câble de sécurité à travers la tige descendante. Vissez la tige descendante sur l'accouplement du moteur jusqu'à ce que les trous des broches de la chape soient alignés. Ensuite, replacez l'axe de chape et l'épingle, puis serrez les deux vis de réglage. (Fig. 8)

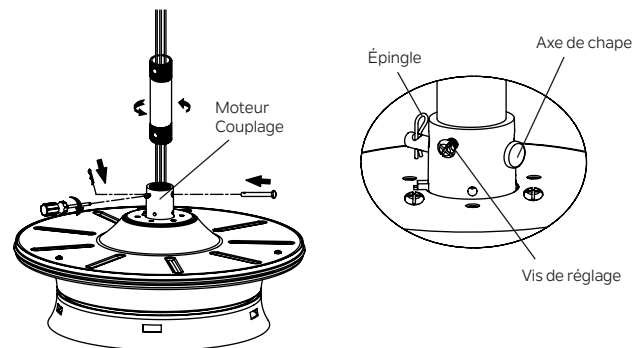


Fig. 8

Étape 5. Glissez le couvercle du couplage, le couvercle de l'orifice de l'auvent et le couvercle sur la tige descendante. Réinstallez soigneusement la boule de suspension sur la tige de suspension. Assurez-vous que la broche croisée est dans la bonne position et que la vis de réglage est serrée et que les fils ne sont pas tordus. (Fig. 9)

ATTENTION : Assurez-vous que toutes les vis sont serrées avant de passer à l'étape suivante.

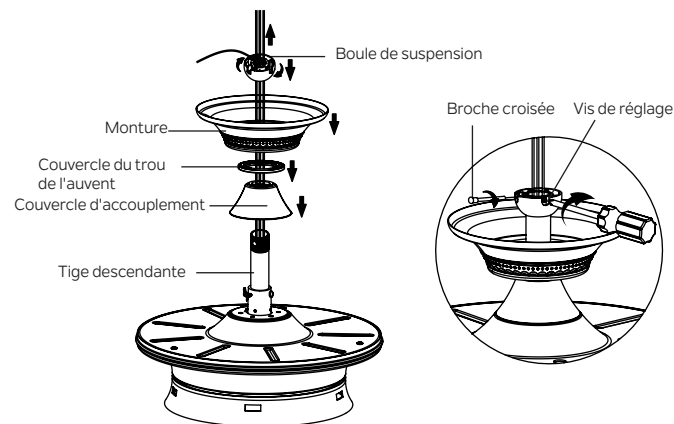


Fig. 9

SUSPENDRE L'ENSEMBLE MOTEUR (suite)

Étape 6. Soulevez maintenant l'assemblage du moteur et placez la boule de suspension dans le support de montage. Tournez jusqu'à ce que la languette de contrôle soit tombée dans la fente d'enregistrement et soit fermement en place. (Fig.10) L'ensemble du corps du moteur ne doit pas tourner si cela est fait correctement.

AVERTISSEMENT : Le fait de ne pas installer correctement la « languette de contrôle » peut endommager le ventilateur de plafond pendant le fonctionnement.

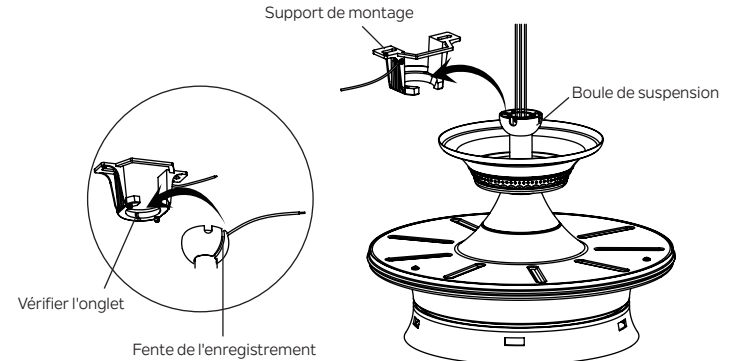


Fig. 10

INSTALLATION DU SUPPORT DE SÉCURITÉ (requis pour l'installation canadienne UNIQUEMENT)

Un câble de support de sécurité est fourni pour aider à empêcher le ventilateur de plafond de tomber, veuillez l'installer comme suit.

Étape 1. Enfoncez une vis à bois et des rondelles dans le côté de l'entretoise qui maintient le boîtier de sortie. Laissez 3 mm (1/8") d'espace entre le renfort de support et la rondelle. (Fig. 11)

Étape 2. Insérez le câble de sécurité à travers le support de montage et l'un des trous du boîtier de sortie dans le plafond. Ajustez la longueur du câble de sécurité pour atteindre la vis et les rondelles en tirant le câble supplémentaire à travers le serre-câble jusqu'à ce que la longueur totale soit correcte, remettez l'extrémité du câble à travers le serre-câble, formant une boucle à l'extrémité du câble. Serrez fermement le serre-câble. Maintenant, placez la boucle à l'extrémité du câble de sécurité sur la vis à bois et sous la rondelle. Serrez fermement la vis à bois. (Fig. 12)

REMARQUE : Bien que le câble de support de sécurité ne soit requis que pour les installations au Canada, c'est une bonne idée d'effectuer la fixation avec n'importe quelle installation.

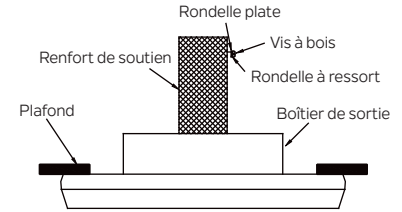


Fig. 11

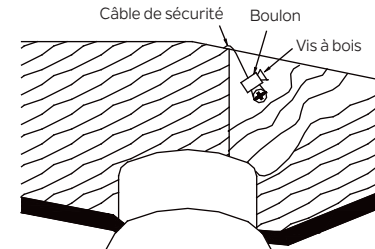


Fig. 12

RACCORDEMENTS ÉLECTRIQUES

AVERTISSEMENT : Pour éviter tout risque d'électrocution, assurez-vous d'avoir coupé l'alimentation au panneau de circuit principal avant de procéder au câblage.

Suivez les étapes ci-dessous pour raccorder le ventilateur à votre câblage domestique. Utilisez les connecteurs de fils fournis avec votre ventilateur. Fixez le connecteur avec du ruban isolant. Assurez-vous qu'il n'y a pas de supports de câbles ou de raccords desserrés.

AVERTISSEMENT : Si les fils de votre maison sont de couleurs différentes de celles indiquées dans ce manuel, arrêtez immédiatement. Un électricien professionnel est recommandé pour déterminer le câblage approprié.

Étape 1. Insérez le récepteur dans le support de montage et maintenez-le à plat face au plafond. (Fig.13)

Étape 2. Connectez les fils à l'aide des connecteurs comme indiqué dans le SCHEMA DE CÂBLAGE. (Fig.14)

AVERTISSEMENT : Vérifiez que toutes les connexions sont bien serrées, y compris la terre, et qu'aucun fil nu n'est visible au niveau des connexions de fil.

Étape 3. Une fois les connexions effectuées, placez les fils blanc et vert (vert ou cuivre nu) d'un côté et les fils noirs de l'autre côté, la connexion doit être tournée vers le haut et poussez soigneusement les fils dans la boîte de sortie. Les fils doivent être écartés avec le conducteur mis à la terre et le conducteur de mise à la terre de l'équipement d'un côté de la boîte de sortie et le conducteur non mis à la terre de l'autre côté.

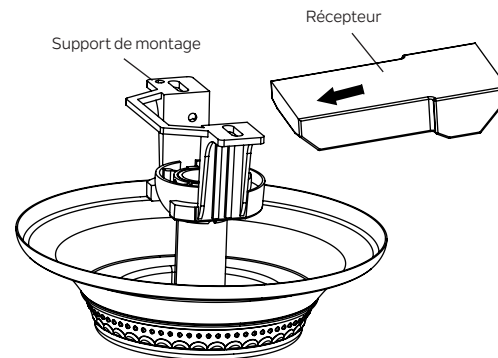


Fig. 13

SCHÉMA DES CÂBLES

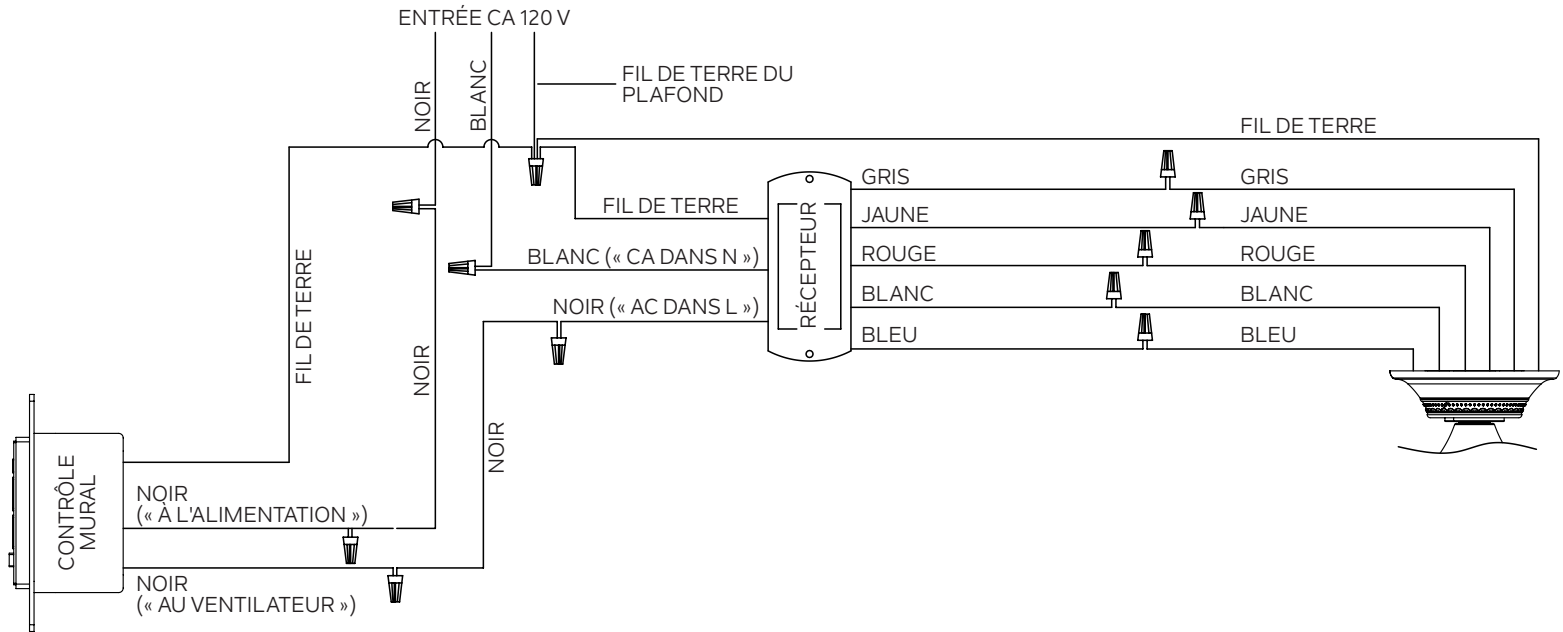


Fig. 14

INSTALLATION DE LA COMMANDE MURALE

AVERTISSEMENT : Tout le câblage doit être conforme au National Electrical Code et aux codes électriques locaux. L'installation électrique doit être effectuée par un électricien qualifié et agréé.

AVERTISSEMENT : L'INSTALLATION DE L'INTERRUPTEUR DOIT ÊTRE CONFORME À TOUS LES CODES ÉLECTRIQUES LOCAUX ET NATIONAUX.

AVERTISSEMENT : Coupez l'alimentation principale au disjoncteur ou au panneau de fusibles avant de continuer.

Étape 1. Retirez la plaque murale existante et l'interrupteur de la boîte de prise murale. Débranchez les fils de l'interrupteur existant. (Fig. 15)

Étape 2. Placez la commande murale sur la boîte de sortie, connectez les fils avec les connecteurs de fil fournis. (Fig. 16)

*Connectez le fil noir de la boîte de sortie qui alimente la commande murale au fil noir marqué « À L'ALIMENTATION » de la commande murale.

*Connectez le fil noir de la boîte de sortie qui va au ventilateur au fil NOIR marqué « AU VENTILATEUR » de la commande murale.

*Connectez le fil de la mise à la terre en cuivre nu du boîtier de sortie au fil de la mise à la terre en cuivre nu provenant de la commande murale.

*Connectez les deux fils neutres blancs dans la boîte de sortie ensemble (s'ils ne sont pas déjà connectés).

Étape 3. Fixez les connecteurs des fils et assurez-vous qu'il n'y a pas de brins ou de connexions lâches. Remettez soigneusement les connexions des fils à l'intérieur de la boîte de sortie et fixez la commande murale à la boîte de sortie avec les vis fournies. Fixez la plaque frontale à la commande murale à l'aide des vis fournies.

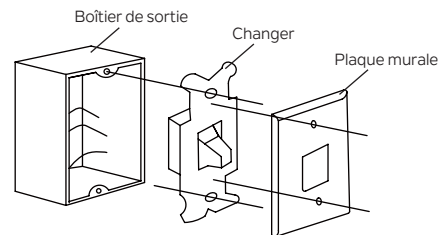


Fig. 15

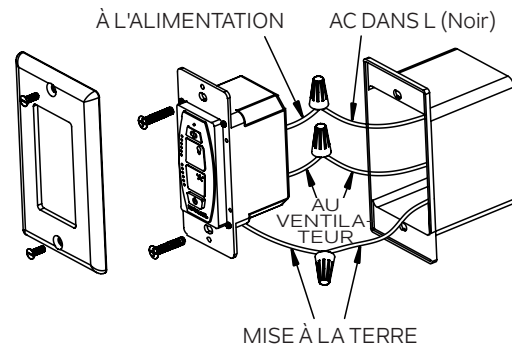


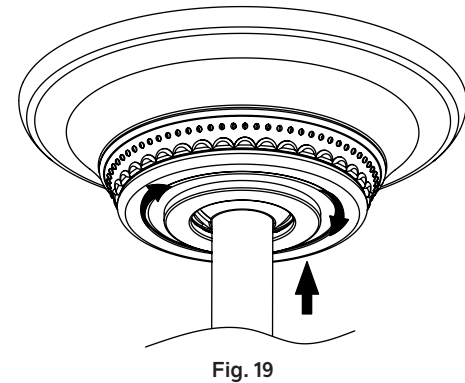
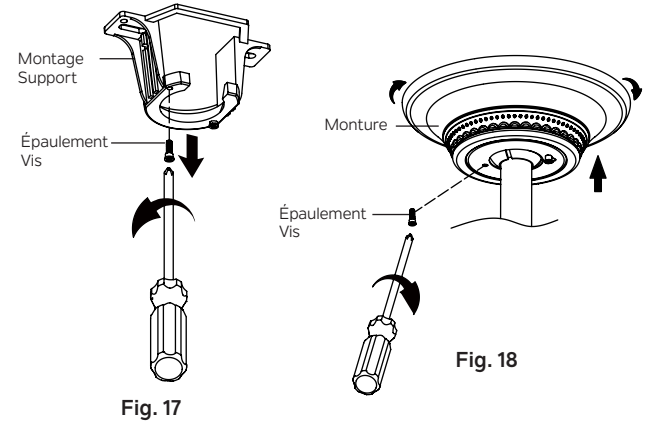
Fig. 16

TERMINER L'INSTALLATION DU MOTEUR

Étape 1. Retirez l'une des deux vis à épaulement du support de montage. Desserrez la deuxième vis à épaulement sans la retirer complètement. (Fig. 17)

Étape 2. Assemblez l'auvent en tournant la fente de la clé dans l'auvent sur la vis à épaulement dans le support de montage. Réinstallez la vis à épaulement précédemment retirée, puis resserrez fermement les deux vis à épaulement. (Fig. 18)

Étape 3. Fixez et serrez solidement le couvercle du trou de l'auvent sur les vis à épaulement du support de montage en utilisant la fonction de verrouillage par rotation de la rainure de clé. (Fig. 19)



FIXATION DES PALES DU VENTILATEUR

ATTENTION : Pour réduire le risque de choc électrique, débranchez le circuit d'alimentation électrique du ventilateur avant d'installer les pales du ventilateur.

Étape 1. Fixez les pales aux supports comme indiqué, serrez-les solidement à l'aide des vis et des rondelles du pack de quincaillerie. (Fig. 20)

Étape 2. Faites glisser les assemblages de pales dans les trous du volant et serrez-les solidement avec les vis du pack de quincaillerie comme illustré. (Fig.21)

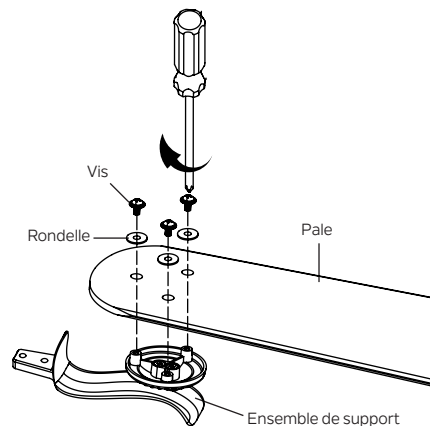


Fig. 20

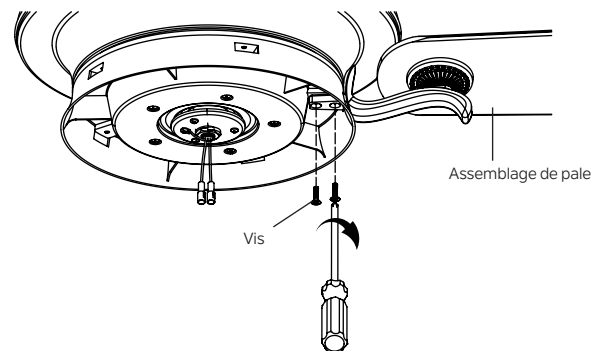


Fig. 21

INSTALLATION DE LA PLAQUE D'ÉCLAIRAGE

Étape 1. Retirez la vis marquée d'une étiquette marron à points sur la plaque de montage et conservez-la pour une utilisation ultérieure. Desserrez les deux autres (ne les retirez pas).(Fig.22)

Étape 2. Placez les deux trous de fente sur la plaque d'éclairage sur les 2 vis précédemment desserrées depuis la plaque de montage. Faites pivoter la plaque d'éclairage jusqu'à ce qu'elle se verrouille en place à l'extrémité étroite des trous de clé. Fixez en serrant les 2 vis précédemment desserrées et celle précédemment retirée. (Fig. 23)

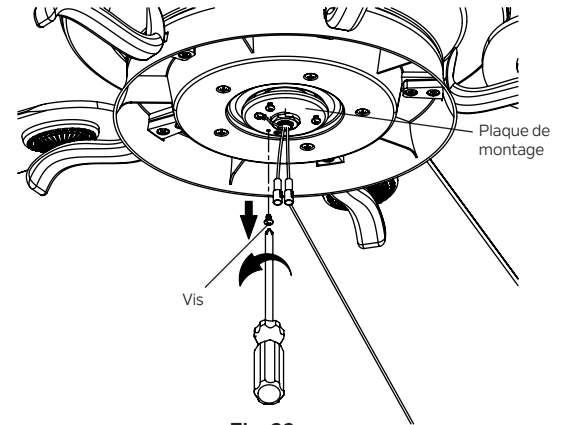


Fig. 22

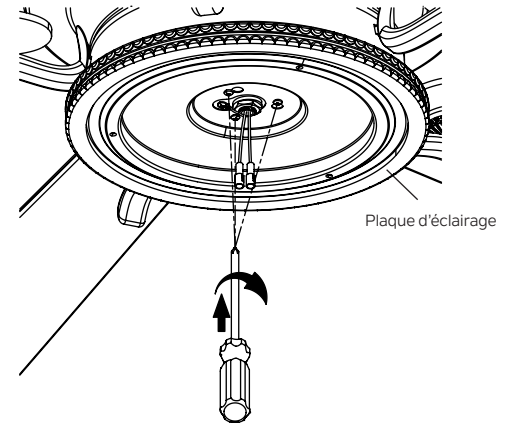


Fig. 23

INSTALLATION DU KIT D'ÉCLAIRAGE ET DU VERRE

ATTENTION : Pour réduire le risque de choc électrique, débranchez le circuit d'alimentation électrique du ventilateur avant d'installer le kit d'éclairage.

Étape 1. Tenez le kit d'éclairage LED sur la plaque d'éclairage, puis connectez les 2 connecteurs à une broche du kit d'éclairage aux 2 connecteurs à une broche de l'ensemble moteur. Connectez le fil noir au fil noir et le fil blanc au fil blanc. Fixez le kit d'éclairage à la plaque d'éclairage et serrez solidement avec trois (3) vis du jeu de vis (Fig. 24)

Étape 2. Retirez et conservez l'écrou manuel, la rondelle métallique et la rondelle en silicone de la tige filetée du kit d'éclairage. (Fig. 25)

Étape 3. Soulevez l'abat-jour en verre jusqu'au kit d'éclairage, permettant à la tige filetée de passer par le trou central au bas de l'abat-jour en verre. Placez la rondelle en silicone et la rondelle métallique sur la tige filetée, puis vissez l'écrou manuel sur la tige filetée jusqu'à ce qu'il soit bien serré. NE SERREZ PAS TROP. (Fig. 25)

Étape 4. Installez le capuchon du fleuron et le fleuron sur la tige filetée et serrez fermement. (Fig. 25)

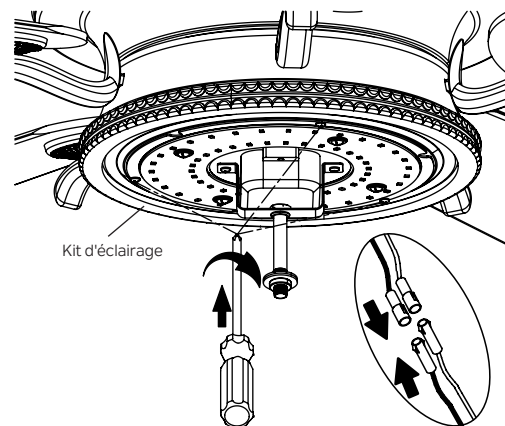


Fig. 24

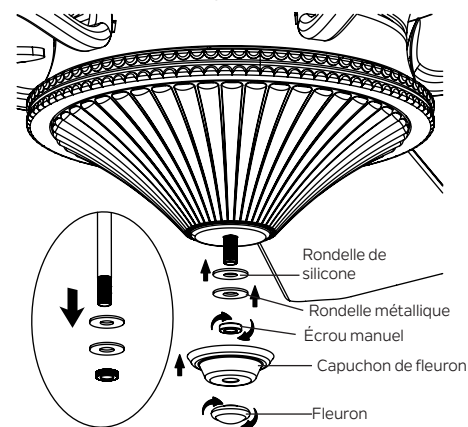





Fig. 25

PROCÉDURES D'APPARIEMENT DE LA COMMANDE CC SANS CAPTEUR


IMPORTANT : Les pales du ventilateur de plafond DOIVENT être installées avant que la procédure d'appariement puisse commencer.


Étape 1. Appuyez sur le bouton d'alimentation «  » pour éteindre la commande murale (le bouton sera vers le haut). Rétablissez l'électricité dans le circuit de dérivation du ventilateur de plafond au niveau du disjoncteur ou de la boîte à fusibles. Dans les 60 secondes suivant la mise sous tension, appuyez sur le bouton d'alimentation «  » pour allumer la commande murale (le bouton sera enfoncé), puis appuyez sur le bouton de marche arrière «  » pendant 3 à 5 secondes. La lumière clignotera deux fois, et en même temps, le ventilateur fonctionnera pendant un moment puis s'arrêtera. La télécommande sera maintenant programmée pour votre ventilateur et prête à l'emploi.


IMPORTANT : N'appuyez sur aucun bouton de la télécommande tant que le processus d'appariement n'est pas terminé. Attendez que le ventilateur se soit complètement arrêté.

Étape 2. Essayez différents réglages de vitesse sur la commande murale pour vous assurer que le ventilateur est maintenant entièrement fonctionnel. Si la programmation échoue, réessayez le processus en recommençant à partir de l'étape 1.

INSTRUCTIONS D'UTILISATION

Appuyez une fois sur le bouton d'alimentation «  » pour ALLUMER (ou ÉTEINDRE) le ventilateur. (Fig. 26)

Pour régler la vitesse de ventilation souhaitée, maintenez enfoncé le bouton «  » pour diminuer et augmenter la vitesse. (Fig. 26)

Pour allumer et éteindre la lumière, appuyez et relâchez le bouton de lumière «  ».
Pour régler l'intensité lumineuse, appuyez longuement sur le bouton d'éclairage. La lumière s'allumera à l'intensité lumineuse précédemment sélectionnée. (Fig. 26)

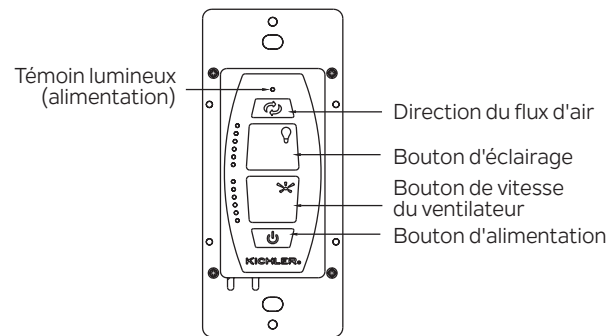



Fig.26

FONCTION INVERSE

Pour activer la fonction d'inversion sur ce ventilateur, appuyez sur le «  » bouton inversion pendant que le ventilateur fonctionne. Le réglage de la vitesse par temps chaud ou frais dépend de facteurs tels que la taille de la pièce, la hauteur du plafond, le nombre de ventilateurs, etc.

Fonctionnement par temps chaud : Vers l'avant (dans le sens inverse des aiguilles d'une montre). Un flux d'air vers le bas crée un effet de refroidissement (Fig.27). Cela vous permet de régler votre climatiseur sur un réglage plus chaud sans affecter votre confort général.

Fonctionnement par temps frais : Inverser (sens horaire). Un flux d'air ascendant évacue l'air chaud des zones du plafond (Fig. 28). Cela vous permet de régler votre unité de chauffage sur un réglage plus froid sans affecter votre confort général.

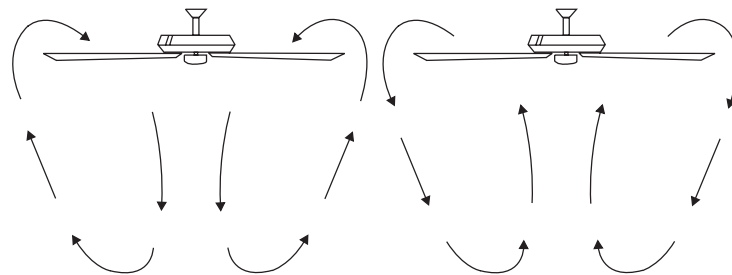


Fig. 27

Fig. 28

Informations FCC

Cet appareil est conforme aux exigences de la section 15 du règlement de la FCC. Fonctionnement assujéti aux deux (2) conditions d'utilisation suivantes :

- 1.) Cet appareil ne doit pas provoquer d'interférences nuisibles, et
- 2.) Cet appareil doit accepter tous les brouillages reçus, y compris ceux pouvant causer un fonctionnement indésirable.

Remarque : Cet équipement a été testé et déclaré conforme aux limites d'un appareil numérique de classe B, conformément à la partie 15 des règles FCC. Ces limites sont conçues pour fournir une protection raisonnable contre les interférences nuisibles dans une installation résidentielle. Cet équipement génère, utilise et peut émettre de l'énergie radiofréquence et, s'il n'est pas installé et utilisé conformément aux instructions, peut provoquer des interférences nuisibles aux communications radio. Cependant, il n'y a aucune garantie que des interférences ne se produiront pas dans une installation particulière. Si cet équipement provoque des interférences nuisibles à la réception de la radio ou de la télévision, ce qui peut être déterminé en éteignant et en rallumant l'équipement, l'utilisateur est encouragé à essayer de corriger les interférences par une ou plusieurs des mesures suivantes :

- Réorientez ou déplacez l'antenne de réception.
- Augmentez l'espace entre l'équipement et le récepteur.
- Branchez l'équipement à une prise sur un circuit différent de celui auquel le récepteur est raccordé.
- Consultez le revendeur ou un technicien radio/TV expérimenté pour obtenir de l'aide.

DÉPANNAGE

Problème	Solution
Le ventilateur ne démarre pas.	<ol style="list-style-type: none">1. Vérifiez les fusibles ou les disjoncteurs.2. Vérifiez tous les raccordements électriques pour assurer un bon contact. <p>ATTENTION : Assurez-vous que l'alimentation principale est coupée lors de la vérification de tout raccordement électrique.</p>
Le ventilateur fait du bruit.	<ol style="list-style-type: none">1. Assurez-vous que toutes les vis du boîtier du moteur sont bien serrées.2. Assurez-vous que les vis qui fixent les supports des pales du ventilateur au moteur sont bien serrées.3. Assurez-vous que les raccords des écrous métalliques ne frottent pas les uns contre les autres ou contre la paroi intérieure du boîtier de l'interrupteur. <p>ATTENTION : Assurez-vous que l'alimentation principale est coupée.</p> <ol style="list-style-type: none">4. Prévoyez une période de « rodage » de 24 heures. La plupart des bruits associés à un nouveau ventilateur disparaissent pendant ce temps.5. Si vous utilisez un kit d'éclairage en option, assurez-vous que les vis fixant la verrerie sont bien serrées. Assurez-vous que les ampoules ne touchent aucun autre composant.6. Ne connectez pas ce ventilateur à une ou plusieurs commandes de vitesse variable fixées au mur. Ils ne sont pas compatibles avec les moteurs de ventilateurs de plafond ou les télécommandes.7. Assurez-vous que la verrière supérieure est à une courte distance du plafond. Elle ne doit pas toucher le plafond.
Le ventilateur vacille.	<ol style="list-style-type: none">1. Vérifiez que toutes les vis de la pale et du bras de pale sont bien fixées.2. La plupart des problèmes d'oscillation du ventilateur sont causés lorsque les niveaux des pales sont inégaux. Vérifiez ce niveau en sélectionnant un point sur le plafond au-dessus de la pointe de l'une des pales. Mesurez cette distance. Faites tourner le ventilateur jusqu'à ce que la pale suivante soit positionnée pour la mesure. Répétez pour chaque pale. L'écart de distance doit être égal à 1/8".3. Si l'oscillation de la pale est toujours perceptible, interchanger deux pales adjacentes (côte à côte) peut redistribuer le poids et éventuellement entraîner un fonctionnement plus fluide.
Dysfonctionnement de la télécommande.	<ol style="list-style-type: none">1. Les ventilateurs de plafond équipés de systèmes de télécommande NE PEUVENT PAS être utilisés avec un autre système de commande SAUF un interrupteur mural Marche/Arrêt de base si vous le souhaitez.

KICHLER®

www.kichler.com

KICHLER LIGHTING LLC
7711 EAST PLEASANT VALLEY ROAD
CLEVELAND, OHIO 44131

SERVICE À LA CLIENTÈLE 866.558.5706
8 h à 17 h EST, DU LUNDI AU VENDREDI

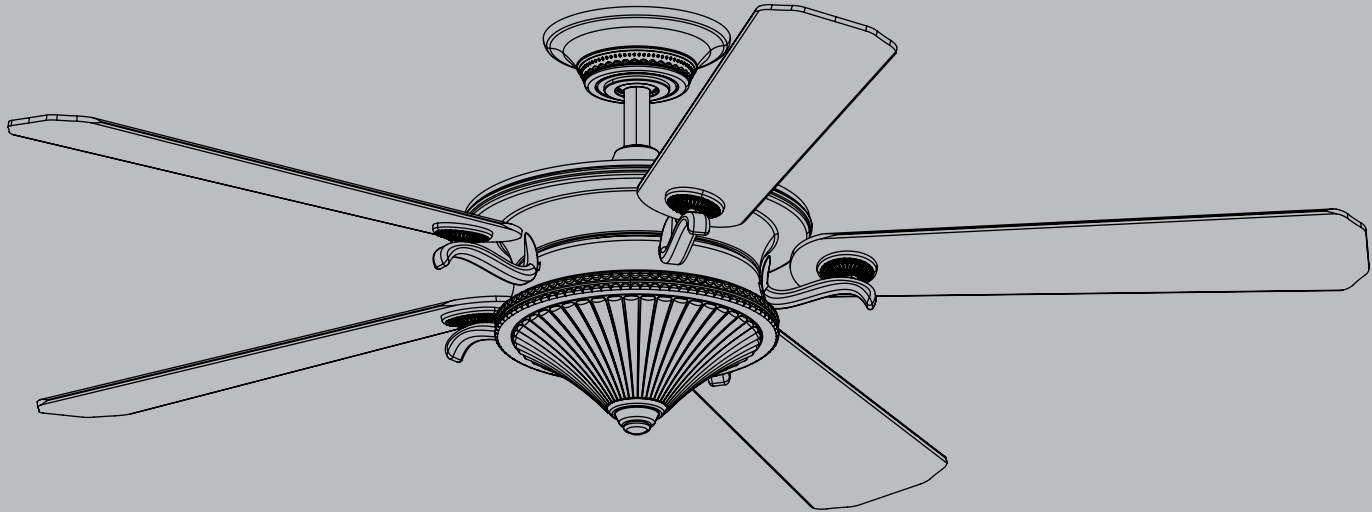
RÉV. 04-MAR-2022

© Kichler Lighting LLC. Tous droits réservés.

KICHLER®

60" Rise

Las imágenes del producto pueden diferir ligeramente del producto real.



LEER Y GUARDAR ESTAS INSTRUCCIONES

MANUAL DE INSTRUCCIONES
Número de modelo 300370

ÍNDICE

NORMAS DE SEGURIDAD.....	3	CÓMO COMPLETAR LA INSTALACIÓN DEL MOTOR	14
HERRAMIENTAS NECESARIAS	5	COLOCACIÓN DE LAS ASPAS DEL VENTILADOR	15
CONTENIDO DEL PAQUETE	5	INSTALACIÓN DE LA PLACA DE LUZ ..	16
OPCIONES DE MONTAJE	6	INSTALACIÓN DEL KIT DE LUZ Y PANTALLA DE VIDRIO	17
CÓMO COLGAR EL CONJUNTO DEL MOTOR	7	PROCEDIMIENTOS DE EMPAREJAMIENTO DEL CONTROL DE CD SIN SENSOR.	18
INSTALACIÓN DE SOPORTE DE SEGURIDAD	10	INSTRUCCIONES DE OPERACIÓN	18
CONEXIONES ELÉCTRICAS	11	INFORMACIÓN DE LA FCC.....	19
INSTALACIÓN DEL CONTROL DE PARED.....	13	RESOLUCIÓN DE PROBLEMAS	20

NORMAS DE SEGURIDAD

LEER Y GUARDAR ESTAS INSTRUCCIONES

ADVERTENCIA: PARA CANADÁ, ESTE VENTILADOR DEBE FIJARSE DIRECTAMENTE A LA ESTRUCTURA DEL EDIFICIO/VIGA DEL TECHO. NO ASEGURE ESTE VENTILADOR A UNA CAJA DE DISTRIBUCIÓN.

1. **PRECAUCIÓN - RIESGO DE CHOQUE** - Desconecte la energía en el panel del disyuntor principal o en la caja de fusibles principal antes de comenzar y durante la instalación.
2. **ADVERTENCIA:** Este accesorio está diseñado para su instalación de acuerdo con el Código Eléctrico Nacional (National Electrical Code, NEC) y todas las especificaciones del código local. Si no está familiarizado con los requisitos del código, se recomienda la instalación por parte de un electricista certificado.
3. **ADVERTENCIA:** Para reducir el riesgo de incendio o descarga eléctrica, use solo el control provisto con el ventilador.
4. **ADVERTENCIA:** Para reducir el riesgo de incendio, descarga eléctrica o lesiones personales, móntelo en una caja de salida marcada como "Aceptable para soporte de ventilador de 15.9 kg (35 libras) inclusive". Para el montaje de la caja de salida, use los tornillos de montaje (y las arandelas de seguridad) proporcionados con la caja de salida. La mayoría de las cajas de salida comúnmente usadas para sujetar apliques de luz no son aptas para uso con ventiladores y deben reemplazarse. Debido a la complejidad de la instalación de este ventilador, se recomienda enfáticamente la intervención de un electricista certificado y calificado.
5. Todo el cableado debe instalarse de acuerdo con el Código Eléctrico Nacional 70 del Instituto Nacional Estadounidense de Estándares (American National Standards Institute, ANSI)/Asociación Nacional de Protección contra Incendios (National Fire Protection Association) y los códigos eléctricos locales. La instalación eléctrica debe ser realizada por un electricista calificado.
6. La caja de salida y la estructura de soporte deben estar montadas de manera segura y ser capaces de soportar de manera confiable un mínimo de 15.9 kg (35 libras). Use únicamente cajas de salida certificadas por cULus marcadas como "PARA SOPORTE DE VENTILADORES".
7. **ADVERTENCIA: PARA REDUCIR EL RIESGO DE INCENDIO, DESCARGA ELÉCTRICA O LESIONES PERSONALES, MONTE EL VENTILADOR EN UNA CAJA DE SALIDA MARCADA COMO "ACEPTABLE PARA SOPORTE DE VENTILADOR".**
8. Evite colocar objetos en el camino de las aspas.

NORMAS DE SEGURIDAD

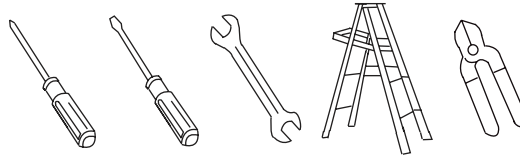
9. Para evitar lesiones personales o daños al ventilador y otros elementos, tenga cuidado cuando trabaje alrededor o limpie el ventilador.
10. Asegúrese de que el sitio de instalación que elija permita un espacio libre mínimo de 2.1 metros (7 pies) desde las aspas hasta el piso y al menos 30 pulgadas desde los extremos de las aspas hasta cualquier obstrucción.
11. Para operar la función de retroceso en este ventilador, presione el botón de retroceso mientras el ventilador está funcionando.
12. **ADVERTENCIA:** asegúrese de que la energía esté desconectada antes de limpiar su ventilador.
13. No use agua ni detergentes para limpiar el ventilador o las aspas del ventilador. Un paño seco para el polvo o un paño ligeramente humedecido será adecuado para la mayor parte de la limpieza.
14. Después de realizar las conexiones eléctricas, los conductores empalmados deben girarse hacia arriba y empujarse con cuidado hacia la caja de distribución. Los cables deben separarse con el conductor puesto a tierra y el conductor de puesta a tierra del equipo en un lado de la caja de salida y el conductor sin puesta a tierra en el otro lado de la caja de salida.
15. Los diagramas eléctricos se proporcionan solo para fines de referencia. Los kits de luces que no estén empaquetados con el ventilador deben cumplir con la marca ETL Listed y marcados como adecuados para usar con el modelo de ventilador que está instalando. Los interruptores deben ser interruptores de uso general ETL. Consulte las instrucciones empaquetadas con los kits de luces e interruptores para un montaje adecuado.
16. Todos los tornillos de fijación deben revisarse y volverse a apretar cuando sea necesario antes de la instalación.
17. La información sobre el peso del ventilador modelo 300370 es la siguiente:
Peso neto: 10.7 kg/23.54 libras;
Peso bruto: 12 kg/26.4 libras.

ADVERTENCIA

PARA REDUCIR EL RIESGO DE LESIONES PERSONALES,
NO DOBLE LOS SOPORTES DE LAS ASPAS DURANTE EL MONTAJE
O DESPUÉS DE LA INSTALACIÓN.
NO INTRODUZCA OBJETOS EN EL CAMINO DE LAS ASPAS.

HERRAMIENTAS Y MATERIALES REQUERIDOS

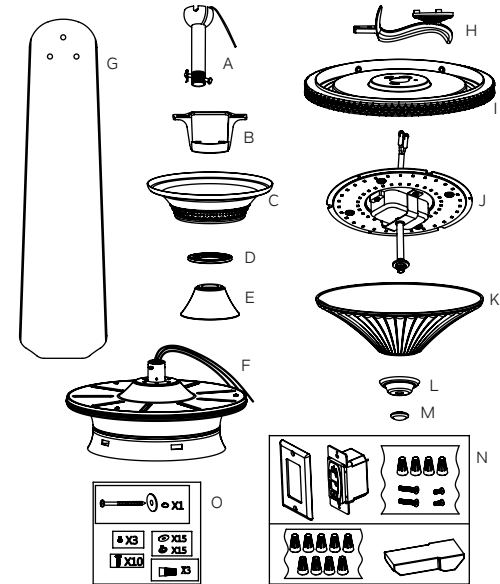
- Destornillador Phillips
- Destornillador plano
- Llave de 11 mm
- Escalera de mano
- Cortadores de alambre



CONTENIDO DEL PAQUETE

Desempaque su ventilador y verifique el contenido. Debería tener los siguientes elementos:

- | | |
|---|--|
| <p>A. Conjunto de bola/varilla de extensión</p> <p>B. Soporte de montaje</p> <p>C. Dospel</p> <p>D. Cubierta del orificio del dosel</p> <p>E. Cubierta de acoplamiento</p> <p>F. Conjunto del motor</p> <p>G. Hoja (5)</p> <p>H. Conjunto de soporte (5)</p> <p>I. Placa de luz</p> <p>J. Kit de luz</p> <p>K. Pantalla de vidrio</p> <p>L. Tapa final</p> <p>M. Pináculo</p> | <p>N. Unidad de control de pared
Placa frontal (1); Control de pared (1); Receptor (1); Conector de cable (4+9); Tornillo corto (2); Tornillo largo (2);</p> <p>O. Accesorios del paquete</p> <p>1.) Accesorios del cable de seguridad: Tornillo para madera (1); Arandela de resorte (1); Arandela plana (1)</p> <p>2.) Accesorios de montaje: Conector de cable (3);</p> <p>3.) Accesorios de fijación del asa: Tornillo (15), Arandela (15)</p> <p>4.) Accesorios de fijación del kit de luces: Tornillo (3)</p> <p>5.) Accesorios de fijación del soporte del asa: Tornillo (10)</p> |
|---|--|



OPCIONES DE MONTAJE

Si no existe una caja de montaje con certificación UL (cUL para la instalación canadiense), lea las siguientes instrucciones. Desconecte la energía quitando los fusibles o apagando los disyuntores.

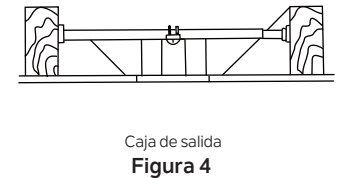
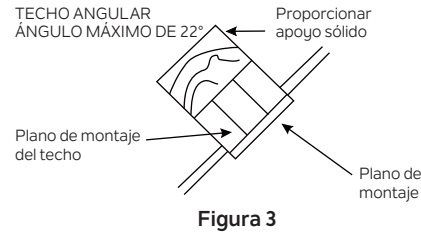
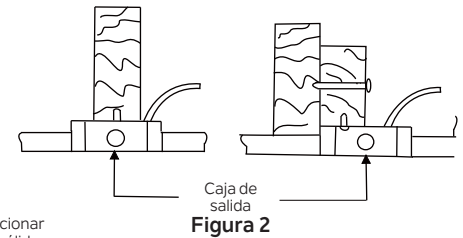
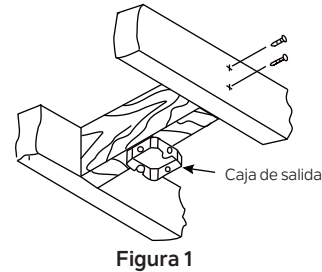
Fije la caja de distribución directamente a la estructura del edificio. Utilice sujetadores y materiales de construcción adecuados. La caja de salida y su soporte deben poder soportar completamente el peso total del ventilador (hasta 15.9 kg [35 libras]). No utilice cajas de salida de plástico.

Las figuras 1, 2 y 3 son ejemplos de diferentes formas de montar la caja de salida.

NOTA: Si está instalando el ventilador de techo en un techo inclinado (abovedado), es posible que necesite una varilla de extensión más larga para mantener el espacio adecuado entre la punta del aspa y el techo. Se sugiere un espacio libre mínimo de 12" para un funcionamiento óptimo.

NOTA: Debe usar una varilla de extensión de 12" o más para una pendiente de 22° (ángulo máximo de 22°). (Figura 3)

NOTA: Dependiendo de la ubicación que haya seleccionado para la instalación, es posible que deba comprar e instalar un colgador de viguetas para el soporte de la caja de salida. Asegúrese de que el colgador de viguetas que compre haya sido diseñado para usarse con ventiladores de techo. (Figura 4)



CÓMO COLGAR EL CONJUNTO DEL MOTOR

RECUERDE desconectar la alimentación antes de comenzar la instalación. Esto es necesario para su seguridad y también para la programación adecuada del sistema de control.

Para instalar correctamente su ventilador de techo, siga los pasos a continuación.

Paso 1. Antes de conectar el ventilador a la caja de salida (no incluida), asegúrese de que la caja de salida esté bien sujeta a al menos dos puntos de un miembro estructural del techo (una caja suelta hará que el ventilador oscile). Pase los cables de suministro de 120 voltios desde la caja de salida del techo a través del centro del soporte de montaje del techo. Instale el soporte de montaje en la caja de salida en el techo usando los tornillos y las arandelas incluidos con la caja de salida. (Figura 5)

Paso 2. Retire la horquilla y el pasador de horquilla del conjunto de la varilla de extensión, guárdelos para usarlos posteriormente. Retire la bola de suspensión del conjunto de la varilla de extensión aflojando el tornillo de fijación, quitando el pasador transversal y deslizando la bola fuera de la varilla. (Figura 6)

NOTA: Asegúrese de mantener los accesorios sueltos separados para evitar confusiones durante la instalación.

Paso 3. Afloje los dos tornillos de fijación en el acoplamiento del motor. (Figura 7)

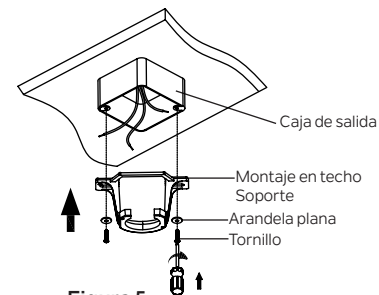


Figura 5

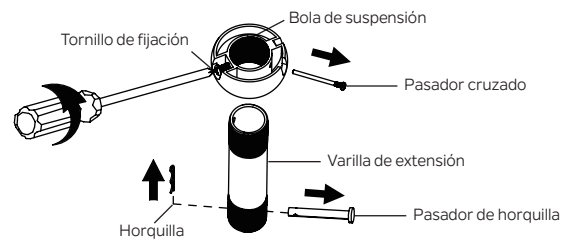


Figura 6

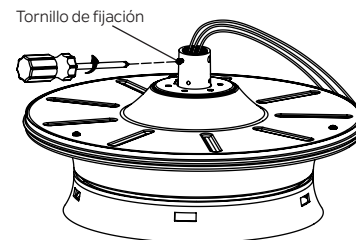


Figura 7

CÓMO COLGAR EL CONJUNTO DEL MOTOR (continuación)

Paso 4. Pase con cuidado los cables del ventilador y el cable de seguridad hacia arriba a través de la varilla de extensión. Enrosque la varilla de extensión en el acoplamiento del motor hasta que los orificios del pasador de horquilla estén alineados. A continuación, vuelva a colocar el pasador de horquilla y la horquilla, luego apriete ambos tornillos de fijación. (Figura 8)

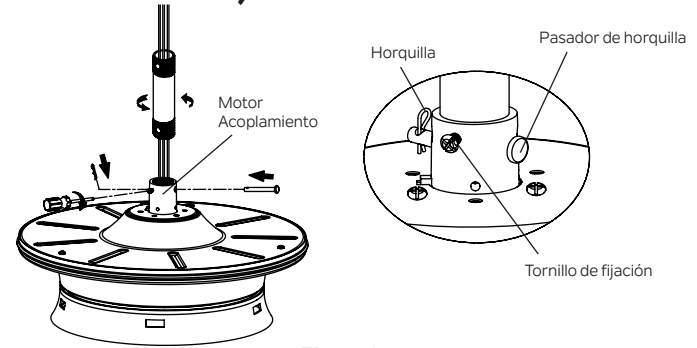


Figura 8

Paso 5. Deslice la cubierta del acoplamiento, la cubierta del orificio del dosel y el dosel sobre la varilla de extensión. Vuelva a instalar con cuidado la bola de suspensión en la varilla. Asegúrese de que el pasador transversal esté en la posición correcta y que el tornillo de fijación esté apretado y que los cables no estén torcidos. (Figura 9)

PRECAUCIÓN: Asegúrese de que todos los tornillos estén apretados antes de pasar al siguiente paso.

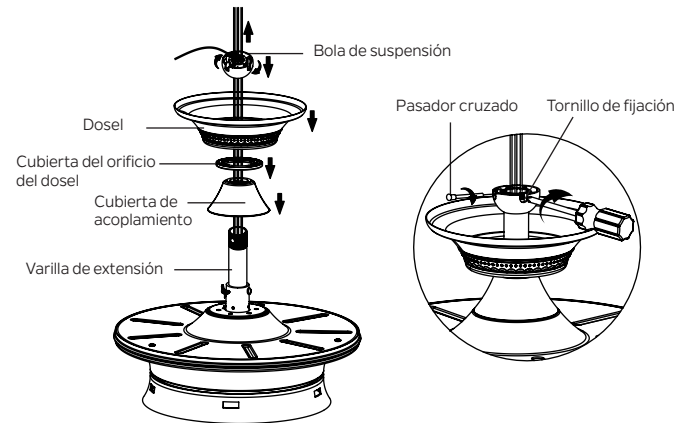


Figura 9

CÓMO COLGAR EL CONJUNTO DEL MOTOR (continuación)

Paso 6. Ahora levante el conjunto del motor a su posición y coloque la bola de suspensión en el soporte de montaje. Gire hasta que la lengüeta de retención haya caído en la ranura de registro y se asiente firmemente. (Figura 10) No debería girar todo el cuerpo del motor si esto se hace correctamente.

ADVERTENCIA: El no asentar correctamente la lengüeta de retención puede dañar el ventilador de techo durante el funcionamiento.

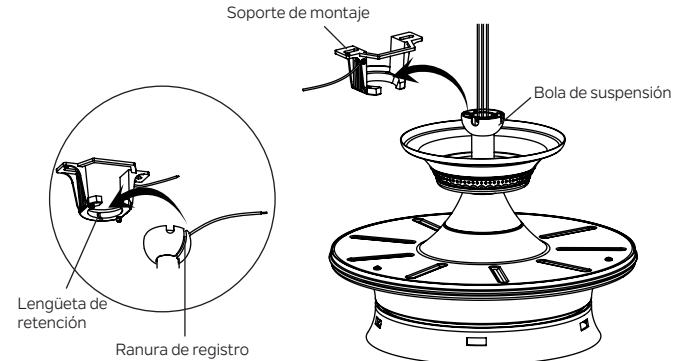


Figura 10

INSTALACIÓN DEL SOPORTE DE SEGURIDAD (requerido para la instalación canadiense SOLAMENTE)

Se proporciona un cable de soporte de seguridad para ayudar a evitar que el ventilador de techo se caiga; instálelo de la siguiente manera.

Paso 1. Inserte un tornillo para madera y arandelas en el costado de la abrazadera que sostiene la caja de salida. Deje 3 mm (1/8") de espacio entre el soporte de apoyo y la arandela. (Figura 11)

Paso 2. Inserte el cable de seguridad a través del soporte de montaje y uno de los orificios de la caja de salida en el techo. Ajuste la longitud del cable de seguridad para alcanzar el tornillo y las arandelas tirando del cable adicional a través de la abrazadera del cable hasta que la longitud total sea la correcta, vuelva a colocar el extremo del cable a través de la abrazadera del cable, formando un bucle en el extremo del cable. Apriete firmemente la abrazadera del cable. Ahora, coloque el lazo en el extremo del cable de seguridad sobre el tornillo para madera y debajo de la arandela. Apriete firmemente el tornillo para madera. (Figura 12)

NOTA: Aunque el cable de soporte de seguridad se requiere solo para instalaciones canadienses, se recomienda hacer esta conexión con cualquier instalación.

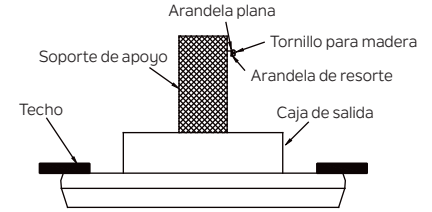


Figura 11

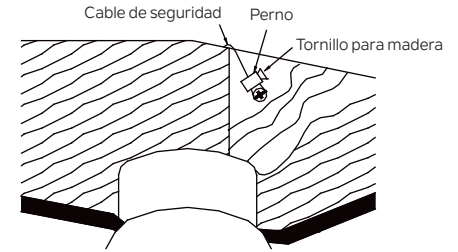


Figura 12

CONEXIONES ELÉCTRICAS

ADVERTENCIA: Para evitar posibles descargas eléctricas, asegúrese de haber desconectado la energía en el panel del circuito principal antes de realizar el cableado.

Siga los pasos a continuación para conectar el ventilador al cableado de su hogar. Utilice los conectores de cable suministrados con su ventilador. Sujete el conector con cinta aislante. Asegúrese de que no haya conexiones o filamentos de cables sueltos.

ADVERTENCIA: Si los cables de su casa son de colores diferentes a los que se mencionan en este manual, deténgase inmediatamente. Se recomienda un electricista profesional para determinar el cableado adecuado.

Paso 1. Inserte el receptor en el soporte de montaje y manténgalo plano en oposición al techo. (Figura 13)

Paso 2. Conecte los cables utilizando los conectores como se muestra en el DIAGRAMA DE CABLES. (Figura 14)

ADVERTENCIA: Verifique que todas las conexiones estén apretadas, incluida la conexión a tierra, y que no se vea ningún cable desnudo en las conexiones de cables.

Paso 3. Después de realizar las conexiones, coloque los cables blanco y verde (verde o cobre desnudo) a un lado y los cables negros hacia el otro lado, la conexión debe girarse hacia arriba, y empuje con cuidado los cables dentro de la caja de salida. Los cables deben separarse con el conductor puesto a tierra y el conductor de puesta a tierra del equipo en un lado de la caja de salida y el conductor no puesto a tierra, en el otro lado.

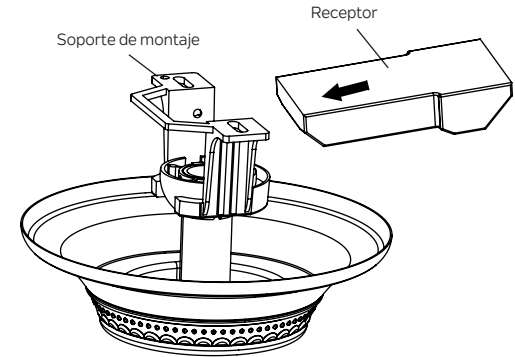


Figura 13

DIAGRAMA DE CABLEADO

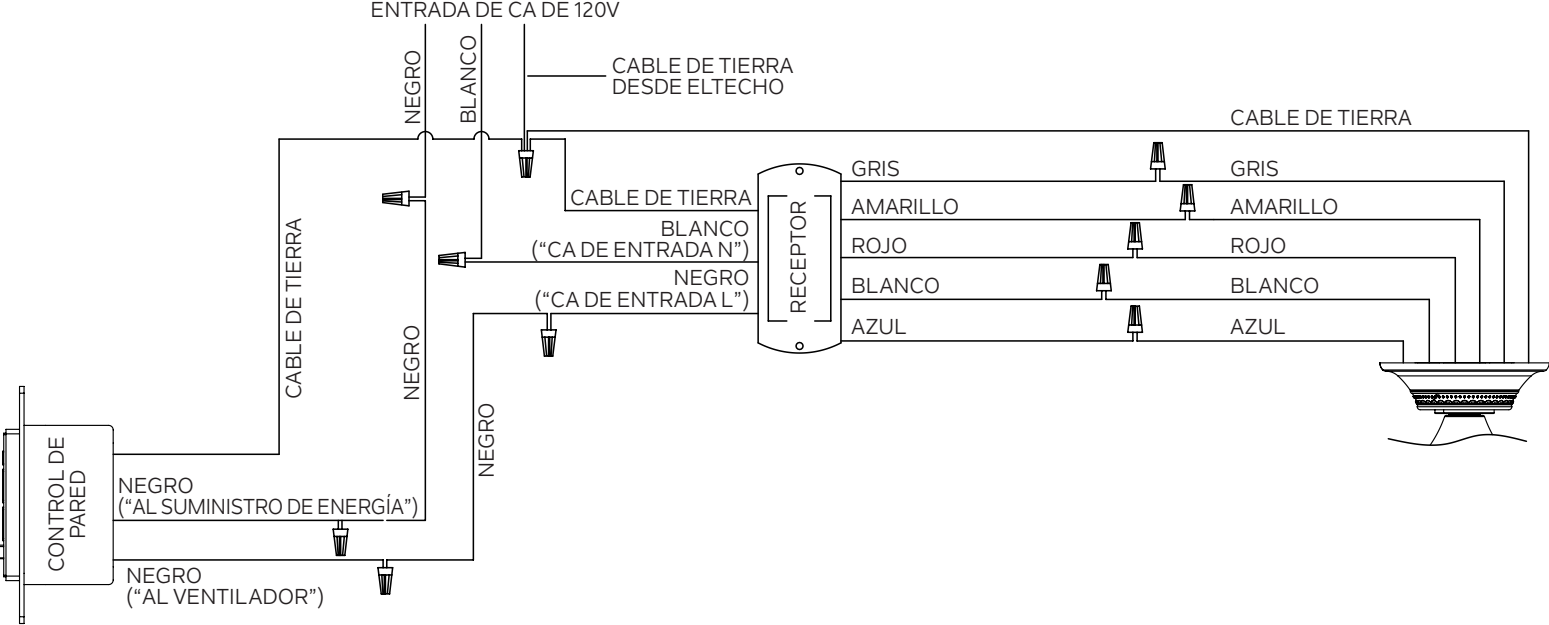


Figura 14

INSTALACIÓN DEL CONTROL DE PARED

ADVERTENCIA: Todo el cableado debe instalarse de acuerdo con el Código Eléctrico Nacional (National Electrical Code) y los códigos eléctricos locales. La instalación eléctrica debe ser realizada por un electricista calificado.

ADVERTENCIA: LA INSTALACIÓN DEL INTERRUPTOR DEBE CUMPLIR CON TODOS LOS CÓDIGOS ELÉCTRICOS LOCALES Y NACIONALES.

ADVERTENCIA: Apague la energía principal en el disyuntor o en el panel de fusibles antes de continuar.

Paso 1. Retire la placa de pared existente y el interruptor de la caja de salida de pared. Desconecte los cables del interruptor existente. (Figura 15)

Paso 2. Instale el control de pared en la caja de salida y conecte los cables con los conectores de cables provistos. (Figura 16)

*Conecte el cable negro de la caja de salida que suministra energía al control de pared al cable negro marcado “AL SUMINISTRO DE ENERGÍA” (to power supply) del control de pared.

*Conecte el cable negro de la caja de salida al cable negro marcado “AL VENTILADOR” (to fan) del control de pared.

*Conecte el cable de cobre desnudo de tierra de la caja de salida al cable de cobre desnudo de tierra del control de pared.

*Conecte los dos cables neutros blancos en la caja de salida juntos (si aún no están conectados).

Paso 3. Asegure los conectores de los cables y asegúrese de que no haya cables o conexiones sueltas. Con cuidado, vuelva a colocar las conexiones de cables dentro de la caja de salida y asegure el control de pared a la caja de salida con los tornillos proporcionados. Asegure la placa frontal al control de pared con los tornillos proporcionados.

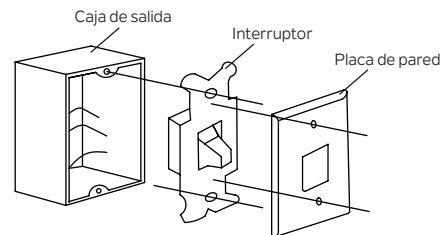


Figura 15

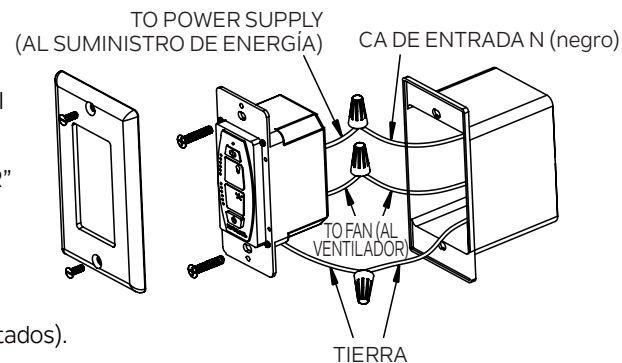


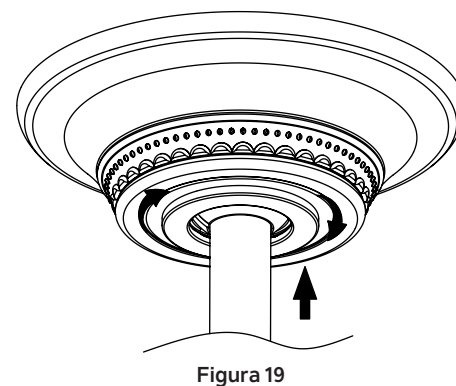
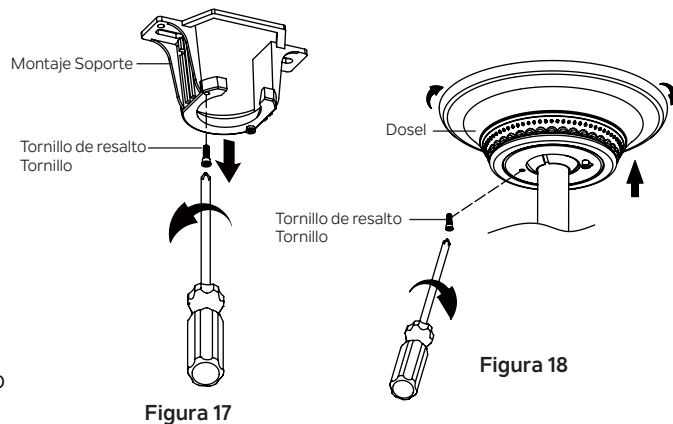
Figura 16

CÓMO COMPLETAR LA INSTALACIÓN DEL MOTOR

Paso 1. Quite uno de los dos tornillos de resalto en el soporte de montaje. Afloje el segundo tornillo de resalto sin quitarlo por completo. (Figura 17)

Paso 2. Ensamble el dosel girando la ranura de llave en el dosel sobre el tornillo de resalto en el soporte de montaje. Vuelva a instalar el tornillo de resalto que se quitó anteriormente, luego vuelva a apretar dos tornillos de resalto firmemente. (Figura 18)

Paso 3. Fije y apriete firmemente la cubierta del orificio del dosel sobre los tornillos de resalto en el soporte de montaje utilizando la función de bloqueo por giro de la ranura de llave (Figura 19).



COLOCACIÓN DE LAS ASPAS DEL VENTILADOR

PRECAUCIÓN: Para reducir el riesgo de descarga eléctrica, desconecte el circuito de suministro eléctrico al ventilador antes de instalar las aspas.

Paso 1. Fije las aspas a los conjuntos de soporte como se muestra, apriete firmemente con tornillos y arandelas del paquete de accesorios. (Figura 20)

Paso 2. Deslice los conjuntos de aspas en los orificios del volante y apriételos firmemente con los tornillos del paquete de accesorios como se muestra. (Figura 21)

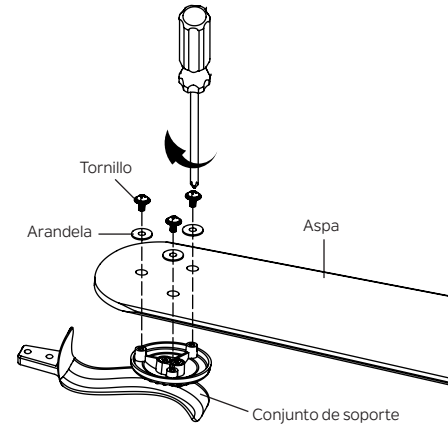


Figura 20

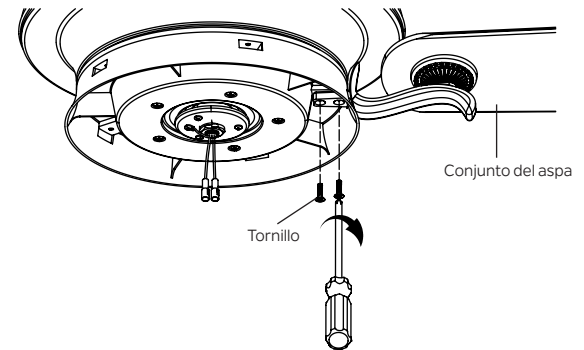


Figura 21

INSTALACIÓN DE LA PLACA DE LUZ

Paso 1. Retire el tornillo marcado con una etiqueta de punto marrón en la placa de montaje y guárdelo para su uso posterior. Afloje los otros dos (no los quite). (Figura 22)

Paso 2. Coloque los dos orificios de la ranura en la placa de luz sobre los dos tornillos que aflojó previamente de la placa de montaje. Gire la placa de luz hasta que encaje en su lugar en el extremo estrecho de los orificios de llave. Fije apretando los 2 tornillos previamente aflojados y el que quitó previamente. (Figura 23)

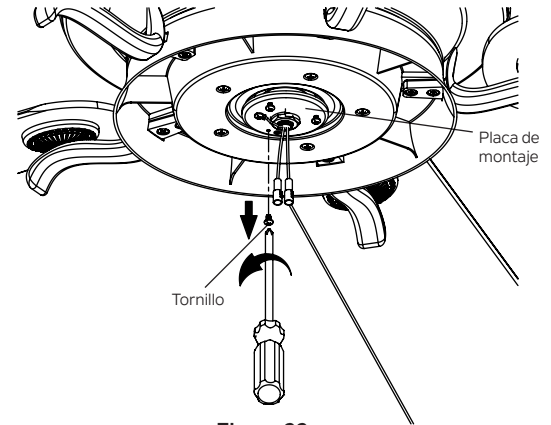


Figura 22

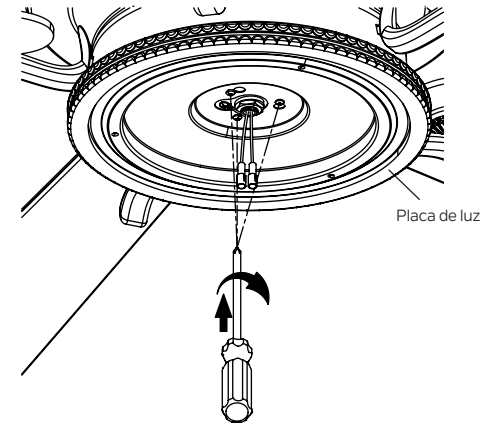


Figura 23

INSTALACIÓN DEL KIT DE LUZ Y LA PANTALLA DE VIDRIO

PRECAUCIÓN: Para reducir el riesgo de descarga eléctrica, desconecte el circuito de suministro eléctrico al ventilador antes de instalar el kit de luz.

Paso 1. Sostenga el kit de luz LED en la placa de luz, luego conecte los dos conectores de una clavija del kit de luz a los dos conectores de una clavija del conjunto del motor. Conecte el cable negro con el cable negro y el cable blanco con el cable blanco. Fije el kit de luz a la placa de luz y apriételo firmemente con tres (3) tornillos del paquete de tornillos (Figura 24)

Paso 2. Quite y guarde la tuerca manual, la arandela de metal y la arandela de silicona de la varilla roscada en el kit de luces. (Figura 25)

Paso 3. Levante la pantalla de vidrio hasta el kit de luces, lo que permite que la varilla roscada pase por el orificio central en la parte inferior de la pantalla de vidrio. Coloque la arandela de silicona y la arandela de metal sobre la varilla roscada, luego atornille la tuerca manual en la varilla roscada hasta que quede apretada. NO AJUSTE EN EXCESO. (Figura 25)

Paso 4. Instale la tapa del remate y el remate en la varilla roscada y apriételos firmemente. (Figura 25)

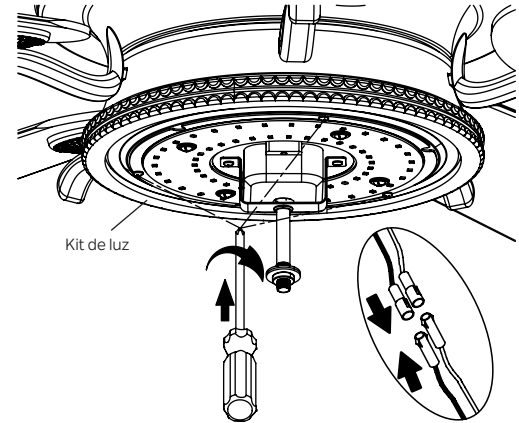


Figura 24

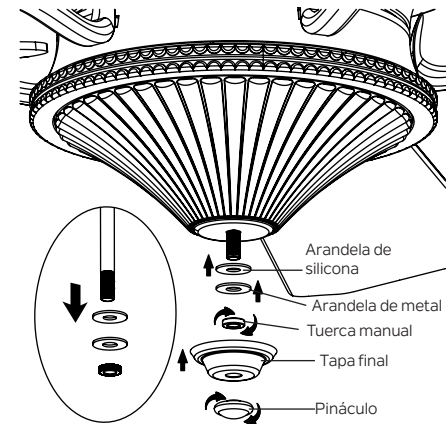





Figura 25

PROCEDIMIENTOS DE EMPAREJAMIENTO DEL CONTROL DE CD SIN SENSOR

IMPORTANTE: Las aspas del ventilador de techo DEBEN instalarse antes de que pueda comenzar el procedimiento de emparejamiento.


Paso 1. Presione el botón “” para apagar el control de pared (el botón estará hacia arriba). Restaure la electricidad al circuito derivado del ventilador de techo en el disyuntor o en la caja de fusibles. Dentro de los 60 segundos posteriores al encendido, presione el botón de encendido “” para encender el control de pared (el botón estará hacia abajo) y luego presione el botón de reversa “” durante 3 a 5 segundos. La luz parpadeará dos veces y, al mismo tiempo, el ventilador funcionará durante un tiempo y luego se detendrá. El control remoto ahora estará programado para su ventilador y listo para usar.


IMPORTANTE: No presione ningún botón en el control remoto hasta que se complete el proceso de emparejamiento. Espere hasta que el ventilador se haya detenido por completo.

Paso 2. Pruebe diferentes configuraciones de velocidad en el control de pared para asegurarse de que el ventilador funcione correctamente. Si la programación no tiene éxito, vuelva a intentar el proceso desde el paso 1 nuevamente.

INSTRUCCIÓN DE FUNCIONAMIENTO

Presione el botón de “” una vez para ENCENDER (O APAGAR) el ventilador. (Figura 26)

Para configurar la velocidad deseada del ventilador, mantenga presionado el botón “” para disminuir y aumentar la velocidad. (Figura 26)

Para encender y apagar la luz, presione y suelte el botón de luz “”. Para configurar la intensidad de la luz, mantenga presionado el botón de luz. La luz se encenderá con la intensidad de luz previamente seleccionada. (Figura 26)

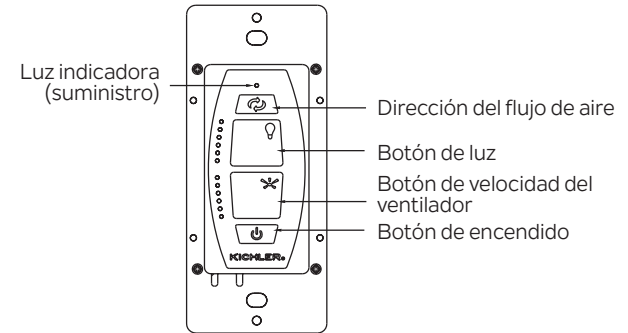



Figura 26

FUNCIÓN DE RETROCESO

Para operar la función de retroceso en este ventilador, presione el botón “” retroceso mientras el ventilador está funcionando. El ajuste de velocidad para climas cálidos o fríos depende de factores como el tamaño de la habitación, la altura del techo, la cantidad de ventiladores, etc.

Operación en clima cálido: Adelante (sentido contrario a las agujas del reloj). Un flujo de aire hacia abajo crea un efecto refrescante (Figura 27). Esto le permite configurar su aire acondicionado en una temperatura más cálida sin afectar su comodidad general.

Operación en clima frío: Retroceso (en sentido de las agujas del reloj). Un flujo de aire ascendente remueve el aire caliente del techo (Figura 28). Esto le permite configurar su unidad de calefacción en una configuración más fría sin afectar su comodidad general.

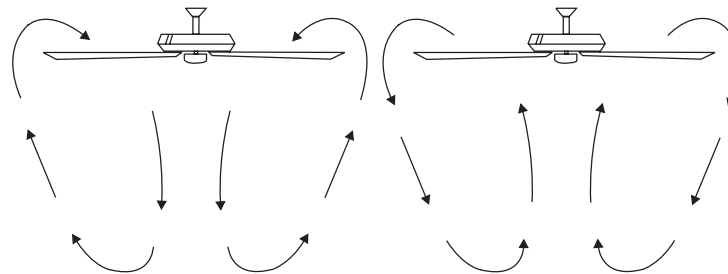


Figura 27

Figura 28

INFORMACIÓN DE LA FCC

Este dispositivo cumple con la parte 15 de las normas de la Comisión Federal de Comunicaciones (Federal Communications Commission, FCC). El funcionamiento está sujeto a las siguientes dos condiciones:

- 1.) Este dispositivo no puede causar interferencias perjudiciales, y
- 2.) Este dispositivo debe aceptar cualquier interferencia recibida, incluidas interferencias que puedan causar un funcionamiento no deseado.

Nota: Este equipo ha sido probado y cumple con los límites para un dispositivo digital de Clase B, de acuerdo con la parte 15 de las normas de la FCC. Estos límites están diseñados para proporcionar una protección razonable contra interferencias perjudiciales en una instalación residencial. Este equipo genera, usa y puede irradiar energía de radiofrecuencia y, si no se instala y usa de acuerdo con las instrucciones, puede causar interferencia dañina a las comunicaciones por radio. Sin embargo, no hay garantía de que no se produzcan interferencias en una instalación en particular. Si este equipo causa interferencia dañina en la recepción de radio o televisión, lo cual se puede determinar encendiendo y apagando el equipo, se recomienda al usuario que intente corregir la interferencia mediante una o más de las siguientes medidas:

- Reorientar o reubicar la antena receptora.
- Aumentar la separación entre el equipo y el receptor.
- Conectar el equipo a una toma de corriente en un circuito diferente al que está conectado el receptor.
- Consulte con el distribuidor o con un técnico de radio/TV experimentado para obtener ayuda.

RESOLUCIÓN DE PROBLEMAS

Problema	Solución
El ventilador no arranca.	<ol style="list-style-type: none">1. Verifique los fusibles o disyuntores del circuito.2. Verifique todas las conexiones eléctricas para asegurar un contacto adecuado. <p>PRECAUCIÓN: Asegúrese de que la alimentación principal esté APAGADA cuando verifique cualquier conexión eléctrica.</p>
El ventilador suena ruidoso.	<ol style="list-style-type: none">1. Asegúrese de que todos los tornillos de la carcasa del motor estén ajustados.2. Asegúrese de que los tornillos que sujetan los soportes de las aspas del ventilador al motor estén apretados.3. Asegúrese de que las conexiones de tuercas para cables no se froten entre sí o con la pared interior de la caja del interruptor. <p>PRECAUCIÓN: Asegúrese de que la energía principal esté apagada.</p> <ol style="list-style-type: none">4. Permita un período de “rodaje” de 24 horas. La mayor parte del ruido asociado con un ventilador nuevo desaparece durante este tiempo.5. Si usa un kit de luz opcional, asegúrese de que los tornillos que sujetan la cristalería estén bien apretados. Asegúrese de que las bombillas no toquen ningún otro componente.6. No conecte este ventilador a un control de velocidad variable montado en la pared. No son compatibles con motores de ventiladores de techo o controles remotos.7. Asegúrese de que el dosel superior esté a poca distancia del techo. No debe tocar el techo.
Oscilación del ventilador.	<ol style="list-style-type: none">1. Verifique que todos los tornillos de aspa y del brazo de aspa estén firmes.2. La mayoría de los problemas de oscilación del ventilador se deben a que los niveles de las aspas no son iguales. Compruebe este nivel seleccionando un punto en el techo por encima de la punta de una de las aspas. Mida esta distancia. Gire el ventilador hasta que se coloque la siguiente aspa para medir. Repita para cada aspa. La desviación de la distancia debe ser igual dentro de 1/8".3. Si aún se nota la oscilación del aspa, intercambiar dos aspas adyacentes (una al lado de la otra) puede redistribuir el peso y posiblemente dar como resultado un funcionamiento más fluido.
Mal funcionamiento del control remoto.	<ol style="list-style-type: none">1. Los ventiladores de techo con sistemas de control remoto NO PUEDEN funcionar junto con ningún otro sistema de control, EXCEPTO un interruptor de pared de encendido/apagado básico si se desea.

KICHLER®

www.kichler.com

KICHLER LIGHTING LLC
7711 EAST PLEASANT VALLEY ROAD
CLEVELAND, OHIO 44131

SERVICIO AL CLIENTE 866.558.5706
8:00 AM A 5:00 PM EST, DE LUNES A VIERNES

REV. 04-MAR-2022

© Kichler Lighting LLC. Todos los derechos reservados.