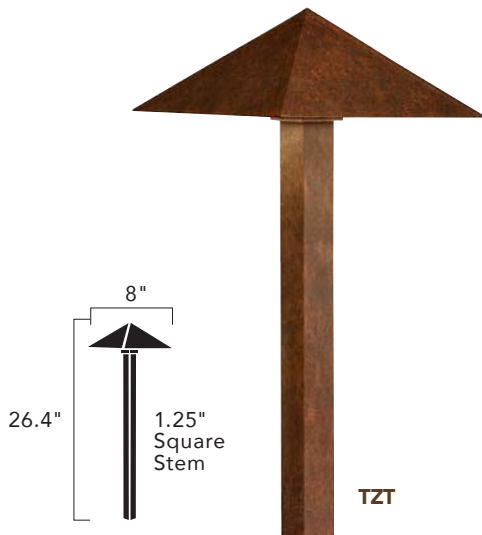
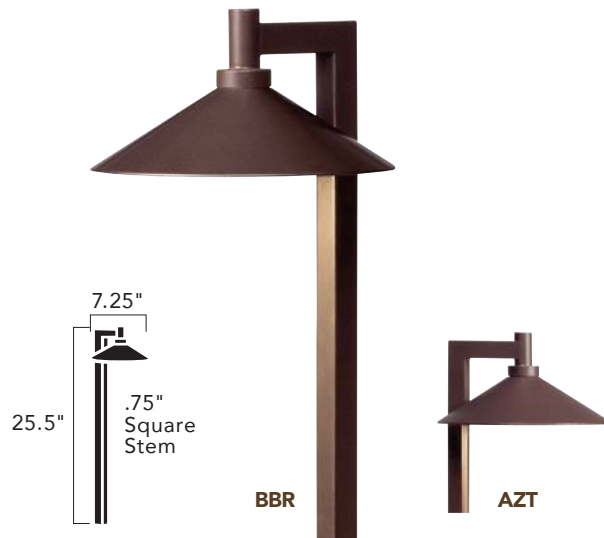


PYRAMID



RIPLEY™



15802 TZT

15800 AZT, BBR

Kelvin	2700K – Warm White	3000K – Pure White	2700K – Warm White	3000K – Pure White
Ordering Guide & Finish	15802 TZT27R	15802 TZT30R	15800 AZT27R 15800 BBR27R	15800 AZT30R 15800 BBR3027R
Housing	Cast Aluminum		Cast Aluminum, Cast Brass	
Light Source	3 Integrated High Output Nichia® LEDs, tightly binned for color uniformity, and constant current driver		8 Integrated High Output Nichia® LEDs, tightly binned for color uniformity, and constant current driver	
Color Temp. (CCT) & CRI	2700K (-54/+89) / 80s CRI 3000K (-52/+122) / 80s CRI		2700K (-54/+89) / 80s CRI 3000K (-52/+122) / 80s CRI	
Power Usage at 12V AC Input VA and Watts	3.8 W, 4.95 VA		4.3 W, 5.8 VA	
Operating Voltage Range	9V-15V AC/DC with no loss in output due to constant current technology		9V-15V AC/DC with no loss in output due to constant current technology	
Lumen Maint.	Tested to an L-70 of 40,000 hours		Tested to an L-70 of 40,000 hours	
Delivered Lumens & Efficacy	2700K = 168 Lm 2700K = 46 Lm/W	3000K = 182 Lm 3000K = 49 Lm/W	2700K = 294 Lm 2700K = 67 Lm/W	3000K = 302 Lm 3000K = 73 Lm/W
Wiring	30" of usable #18-2, SPT-1-W leads. Cable connectors supplied.		24" of usable #18-2, SPT-1-W leads. Cable connectors supplied.	
Mounting Access. (Included)	8" slotted in-ground stake		8" slotted in-ground stake	
Optional Accessories	15601 – Surface Mounting Flange 15607 – Surface Mounting Bracket		15601 – Surface Mounting Flange 15607 – Surface Mounting Bracket	
Incandescent	N/A		N/A	
Notes	N/A		Inspired by the popular Kichler® Ripley™ outdoor lantern. Brass will naturally patina over time.	
Fixture Photometric (fc)*	Distance from Light	0' 1' 2' 3' 4' 5' 6' 7' 8'	Distance from Light	0' 1' 2' 3' 4' 5' 6' 7' 8'
	Footcandles	7.10 5.40 2.40 1.00 0.44 0.23 0.14 0.08 0.08	Footcandles	61.90 53.50 11.96 2.47 1.04 0.33 0.22 0.10 0.08

*Values stated for 3000K. -10% for 2700K.