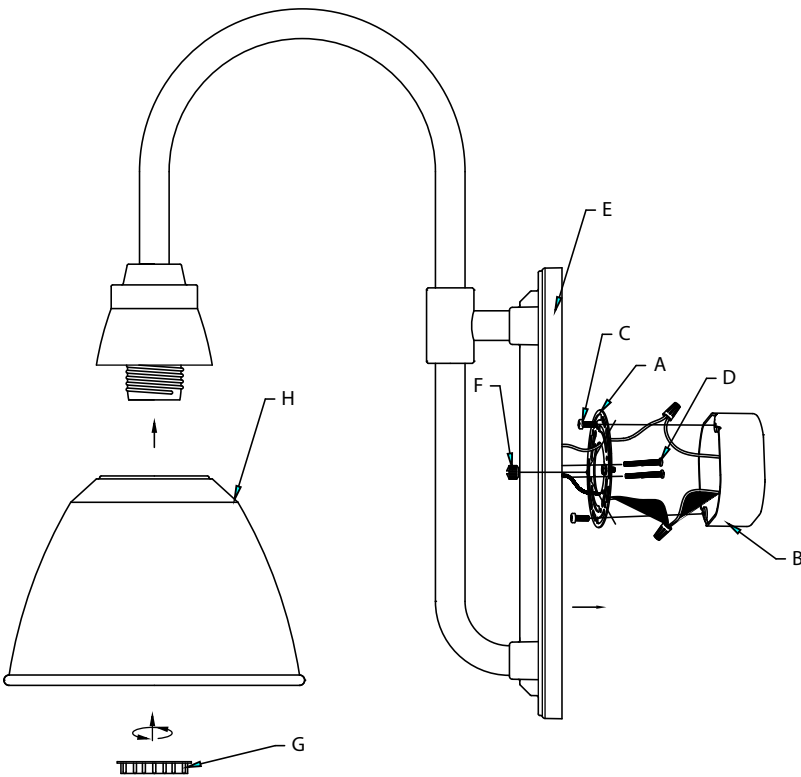


Fixture Diagram



Parts List

[A] Mounting Strap	[D] Mounting Screws	[G] Socket Ring
[B] Outlet Box	[E] Canopy	[H] Shade
[C] Mounting Strap Screws	[F] Lockup Knobs	

Cautions

CAUTION – RISK OF SHOCK –
Disconnect Power at the main circuit breaker panel or main fusebox before starting and during the installation.

WARNING:
This fixture is intended for installation in accordance with the National Electrical Code (NEC) and all local code specifications. If you are not familiar with code requirements, installation by a certified electrician is recommended.

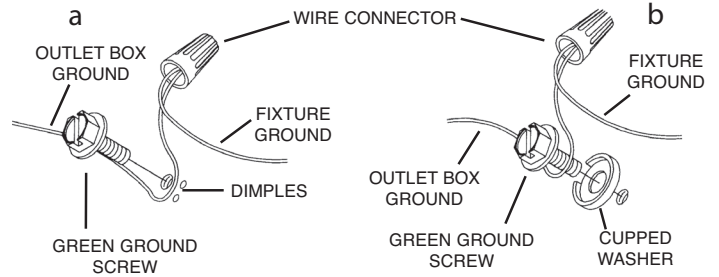
Installation Instructions

- 1) Find the appropriate threaded holes on mounting strap **[A]** that align with hole distance in canopy **[E]**. Thread mounting screws **[D]** into threaded holes starting from outlet box **[B]** side.
- 2) Attach mounting strap to outlet box with strap mounting screws **[C]**. Mounting strap can be adjusted to suit position of fixture.

Installation Instructions (continued)

- 3) Grounding instructions: (See Illus. a or b).
 - a) On fixtures where mounting strap is provided with a hole and two raised dimples, wrap ground wire from outlet box around green ground screw, and thread into hole.
 - b) On fixtures where a cupped washer is provided, attach ground wire from outlet box under cupped washer and green ground screw, then thread into mounting strap.

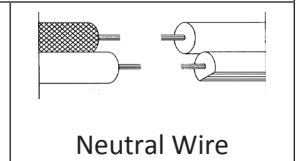
If fixture is provided with ground wire, connect fixture ground wire to outlet box ground wire with wire connector (Not provided) after following the above steps. Never connect ground wire to black or white power supply wires.



- 4) Make wire connections. Reference chart below for correct connections and wire accordingly.

Connect Black or Red Supply Wire to:	Connect White Supply Wire to:
Black	White
*Parallel cord (round & smooth)	*Parallel cord (square & ridged)
Clear, Brown, Gold or Black without Tracer	Clear, Brown, Gold or Black with Tracer
Insulated wire (other than green) with copper conductor	Insulated wire (other than green) with silver conductor

*Note: When parallel wire (SPT 1 & SPT 2) are used. The neutral wire is square shaped or ridged and the other wire will be round in shape or smooth (See illus.)



- 5) Push fixture to wall over the two (2) protruding screws. Be sure not to pinch wires between wall and canopy of fixture. Secure into place using the two (2) lockup knobs **[F]**
- 6) Raise the shade **[H]** up over the socket and secure into place using the socket ring **[G]**.
- 7) Insert recommended bulb(s). (Not supplied)

INSTRUCTIONS FOR MOUNTING FIXTURE OUTDOORS AND/OR IN WET LOCATIONS.

- 8) Mounting surface should be clean, dry, flat and 1/4" larger than the canopy on all sides. Any gaps between the mounting surface and canopy exceeding 3/16" should be corrected as required.
- 9) With silicone caulking compound, caulk completely around where back of canopy meets the wall surface to prevent water from seeping into outlet box.