

**CAUTION – RISK OF SHOCK –**  
Disconnect Power at the main circuit breaker panel or main fusebox before starting and during the installation.

**WARNING:**  
This fixture is intended for installation in accordance with the National Electrical Code (NEC) and all local code specifications. If you are not familiar with code requirements, installation by a certified electrician is recommended.

**CLEANING:**  
Always be certain that electric current is turned off before cleaning. Only a damp cloth should be used. Harsh cleaning products may damage the finish.

**FCC INFORMATION:**  
This device complies with part 15 of the FCC Rules. Operation is subject to the following two conditions:  
1) This device may not cause harmful interference, and  
2) this device must accept any interference received, including interference that may cause undesired operation.  
Note: This equipment has been tested and found to comply with the limits for a Class B digital device, pursuant to part 15 of the FCC Rules. These limits are designed to provide reasonable protection against harmful interference in a residential installation. This equipment generates, uses and can radiate radio frequency energy and, if not installed and used in accordance with the instructions, may cause harmful interference to radio communications. However, there is no guarantee that interference will not occur in a particular installation. If this equipment does cause harmful interference to radio or television reception, which can be determined by turning the equipment off and on, the user is encouraged to try to correct the interference by one or more of the following measures:

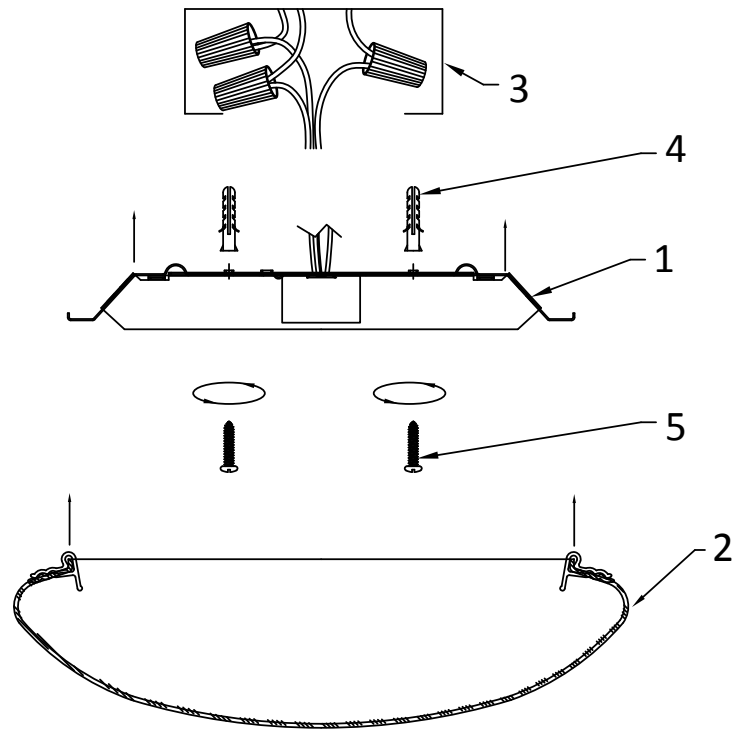
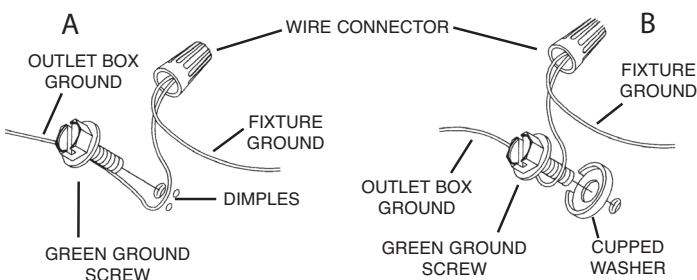
- Reorient or relocate the receiving antenna.
- Increase the separation between the equipment and receiver.
- Connect the equipment into an outlet on a circuit different from that to which the receiver is connected.
- Consult the dealer or an experienced radio/TV technician for help.

**INSTALLATION:**

- Read and understand all instructions and illustrations completely before proceeding with assembly and installation of fixture.
- If you have any doubts about how to install this fixture, or if the fixture fails to operate completely, please contact a qualified electrician.
- All parts must be used as indicated in the instructions. Do not substitute any parts, leave parts out, or use any parts that are worn or broken. Failure to obey this instruction could invalidate the UL listing, C.S.A. certification, and/or ETL listing of this fixture.
- Fixture is to be connected to a single branch circuit.
- Mounting surface should be clean, dry, flat and 1/4" larger than the fixture housing surface.

**INSTRUCTIONS:**

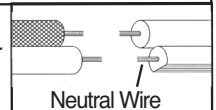
- 1) Remove lens by tilting the diffuser[2] slightly and remove it from the fixture. Set aside. DO NOT touch LEDs with hands or fingers.
- 2) Raise fixture to surface to be mounted too and mark the mounting surface through the four (4) mounting holes.
- 3) Lower fixture from mounting surface and put aside.
- 4) Acquire a drill with a 1/8 inch drill bit and drill the four (4) marked spots on the mounting surface.
- 5) Tap in the four (4) anchors[4]
- 6) Grounding instructions: (See Illus. A or B).
  - A) On fixtures where mounting strap is provided with a hole and two raised dimples. Wrap ground wire from outlet box around green ground screw, and thread into hole.
  - B) On fixtures where a cupped washer is provided. Attach ground wire from outlet box under cupped washer and green ground screw, and thread into mounting strap.
 If fixture is provided with ground wire. Connect fixture ground wire to outlet box ground wire with wire connector. (Not provided.) After following the above steps. Never connect ground wire to black or white power supply wires.



7) Make wire connections. Reference chart below for correct connections and wire accordingly.

Connect Black or Red Supply Wire to:	Connect White Supply Wire to:
Black	White
*Parallel cord (round & smooth)	*Parallel cord (square & ridged)
Clear, Brown, Gold or Black without Tracer	Clear, Brown, Gold or Black with Tracer
Insulated wire (other than green) with copper conductor	Insulated wire (other than green) with silver conductor

\*Note: When parallel wire (SPT I & SPT II) are used. The neutral wire is square shaped or ridged and the other wire will be round in shape or smooth (see illus.)



- 8) Carefully push wire connections[3] back into outlet box making sure all connections remain secure.
- 9) Push fixture[1] over outlet box and align the four (4) holes in the pan over the installed anchors and using the four screws[5] secure the fixture to the mounting surface.
- 10) Place diffuser[2] up to the fixture and tilting it up into place making sure that the diffuser is securely in place.

**PRECAUCIÓN – RIESGO DE DESCARGA ELÉCTRICA –**  
**Desconecte la electricidad en el panel principal del interruptor automático o caja principal de fusibles antes de comenzar y durante la instalación.**

**ADVERTENCIA:**

Este accesorio está destinado a la instalación de acuerdo con el National Electrical Code (NEC) y todas las especificaciones del código local. Si no está familiarizado con los requisitos del código, la instalación se recomienda un electricista certificado.

**LIMPIEZA:**

Siempre asegúrese de que la corriente eléctrica esté apagada antes de limpiarla. Sólo debe usarse un paño húmedo. Los productos de limpieza fuertes pueden dañar el acabado.

**INFORMACIÓN DE LA FCC:**

Este dispositivo cumple con la parte 15 de las Reglas de la FCC. La operación es sujeto a las dos condiciones siguientes:

- 1) Este dispositivo no puede causar interferencia dañina, y
- 2) este dispositivo debe aceptar cualquier interferencia recibida, incluyendo interferencias que puedan causar un funcionamiento no deseado.

Nota: Este equipo ha sido probado y cumple con los límites para un dispositivo digital de Clase B, de acuerdo con la parte 15 de las Reglas de la FCC. Estos límites están diseñados para proveer protección razonable contra interferencias dañinas en una instalación residencial. Este equipo genera, utiliza y puede irradiar energía de radiofrecuencia y, si no se instala y utiliza de acuerdo con las instrucciones, puede causar interferencias en las comunicaciones por radio. Sin embargo, no hay garantizar que no se produzcan interferencias en una instalación en particular. Si este equipo causa interferencia perjudicial a la recepción de radio o televisión, que puede determinarse encender y apagar el equipo, se recomienda al usuario que intente corregir la interferencia mediante una o más de las siguientes medidas:

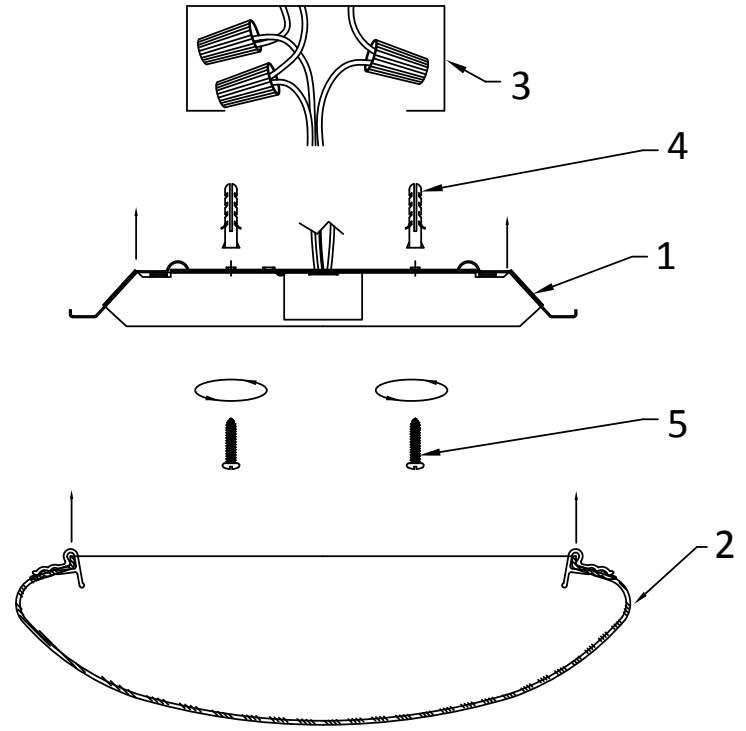
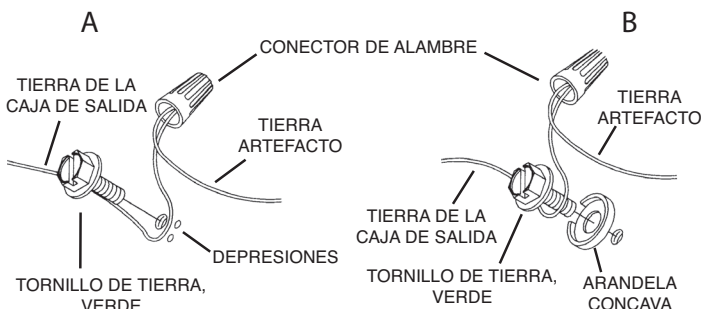
- Reorientar o reubicar la antena receptora.
- Aumente la separación entre el equipo y el receptor.
- Conecte el equipo a una toma de corriente en un circuito distinto al que está conectado el receptor.
- Consulte al distribuidor oa un técnico de radio / TV experimentado para obtener ayuda.

**INSTALACIÓN:**

- Lea y comprenda todas las instrucciones e ilustraciones completamente antes de proceder con el montaje y la instalación del accesorio.
- Si tiene alguna duda sobre cómo instalar este aparato o si el aparato no funciona completamente, póngase en contacto con un electricista cualificado.
- Todas las piezas deben utilizarse como se indica en las instrucciones. No sustituya ninguna pieza, deje las piezas fuera, o utilice cualquier pieza que esté desgastada o quebrada. El incumplimiento de esta instrucción podría invalidar el listado UL, C.S.A. certificación y / o listado ETL de este accesorio.
- El accesorio debe conectarse a un solo circuito de derivación.
- La superficie de montaje debe estar limpia, seca, plana y 1/4 "más grande que la superficie de la carcasa del aparato.

**INSTRUCCIONES:**

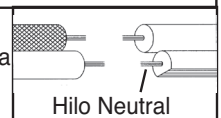
- 1) Retire la lente inclinando ligeramente el difusor[2] y retírelo del dispositivo. Dejar de lado. NO toque los LED con las manos o los dedos.
- 2) Levante el accesorio a la superficie que se va a montar y marque la superficie de montaje a través de los cuatro (4) orificios de montaje.
- 3) Baje el accesorio de la superficie de montaje y déjelo a un lado.
- 4) Adquiera un taladro con una broca de 1/8 pulgada y taladre los cuatro (4) puntos marcados en la superficie de montaje.
- 5) Toque los cuatro (4) anclajes [4]
- 6) Instrucciones para poner a tierra: (Ver Ilustraciones A o B).
  - A) En artefactos donde se suministra la abrazadera de montaje con un agujero y dos depresiones onduladas. Envuelva el conductor de tierra de la caja de salida alrededor del tornillo de tierra verde y atornille en el agujero. En artefactos donde se suministra una arandela cóncava. Fije el conductor de tierra de la caja de salida debajo de la arandela cóncava y el tornillo de tierra verde y enrosque en la abrazadera de montaje.
  - B) Si se suministra el artefacto con conductor de tierra. Conecte el conductor de tierra del artefacto al conductor de tierra de la caja de salida con conector de tierra después de seguir los pasos anteriores. Nunca conecte el conductor de tierra a los alambres de alimentación eléctrica negros o blancos.



- 7) Haga las conexiones de los alambres. Re érase a la tabla de abajo para realizar las conexiones correctas de los cables.

Conectar el alambre de suministro negro o rojo al	Conectar el alambre de suministro blanco al
Negro	Blanco
*Cordon paralelo (redondo y liso)	*Cordon paralelo (cuadrado y estriado)
Claro, marrón, amarillo o negro sin hebra identificadora	Claro, marrón, amarillo o negro con hebra identificadora
Alambre aislado (diferente del verde) con conductor de cobre	Alambre aislado (diferente del verde) con conductor de plata

\*Nota: Cuando se utiliza alambre paralelo (SPT I y SPT II). El alambre neutro es de forma cuadrada o estriada y el otro alambre será de forma redonda o lisa. (Vea la ilustración).



- 8) Empuje con cuidado las conexiones de cables[3] de regreso a la caja de salida asegurándose de que todas las conexiones permanezcan seguras.
- 9) Empuje el accesorio [1] sobre la caja de salida y alinee los cuatro (4) orificios de la bandeja con los anclajes instalados y, utilizando los cuatro tornillos [5], asegure la fijación a la superficie de montaje.
- 10) Coloque el difusor [2] hasta el accesorio e inclínelo en su lugar asegurándose de que el difusor esté bien colocado.

**CAUTION – RISK OF SHOCK –**  
Disconnect Power at the main circuit breaker panel or main fusebox before starting and during the installation.

**WARNING:**

This fixture is intended for installation in accordance with the National Electrical Code (NEC) and all local code specifications. If you are not familiar with code requirements, installation by a certified electrician is recommended.

**CLEANING:**

Always be certain that electric current is turned off before cleaning. Only a damp cloth should be used. Harsh cleaning products may damage the finish.

**FCC INFORMATION:**

This device complies with part 15 of the FCC Rules. Operation is subject to the following two conditions:

- 1) This device may not cause harmful interference, and
- 2) this device must accept any interference received, including interference that may cause undesired operation.

Note: This equipment has been tested and found to comply with the limits for a Class B digital device, pursuant to part 15 of the FCC Rules. These limits are designed to provide reasonable protection against harmful interference in a residential installation. This equipment generates, uses and can radiate radio frequency energy and, if not installed and used in accordance with the instructions, may cause harmful interference to radio communications. However, there is no guarantee that interference will not occur in a particular installation. If this equipment does cause harmful interference to radio or television reception, which can be determined by turning the equipment off and on, the user is encouraged to try to correct the interference by one or more of the following measures:

- Reorient or relocate the receiving antenna.
- Increase the separation between the equipment and receiver.
- Connect the equipment into an outlet on a circuit different from that to which the receiver is connected.
- Consult the dealer or an experienced radio/TV technician for help.

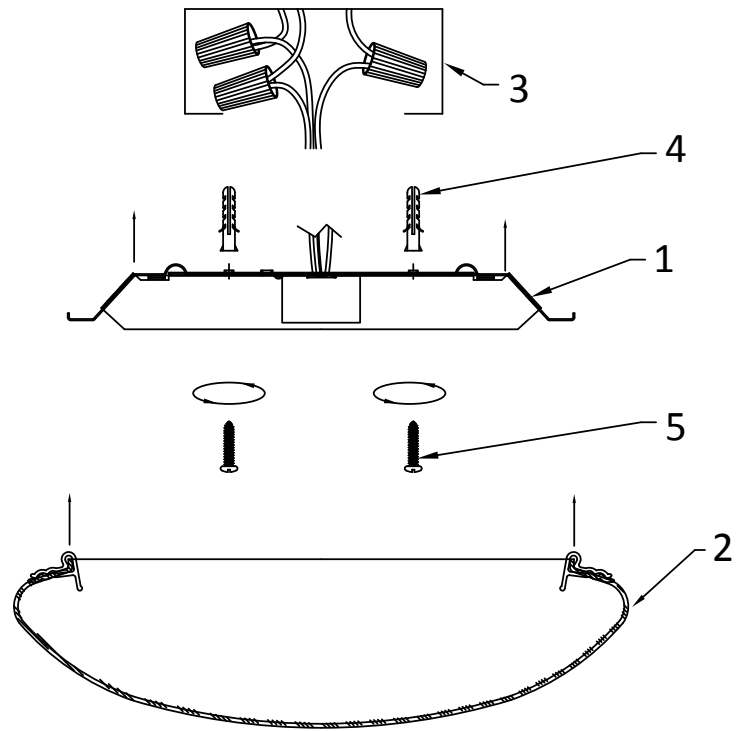
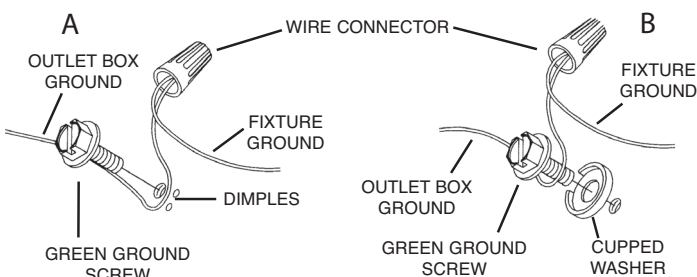
**INSTALLATION:**

- Read and understand all instructions and illustrations completely before proceeding with assembly and installation of fixture.
- If you have any doubts about how to install this fixture, or if the fixture fails to operate completely, please contact a qualified electrician.
- All parts must be used as indicated in the instructions. Do not substitute any parts, leave parts out, or use any parts that are worn or broken. Failure to obey this instruction could invalidate the UL listing, C.S.A. certification, and/or ETL listing of this fixture.
- Fixture is to be connected to a single branch circuit.
- Mounting surface should be clean, dry, flat and 1/4" larger than the fixture housing surface.

**INSTRUCTIONS:**

- 1) Remove lens by tilting the diffuser[2] slightly and remove it from the fixture. Set aside. DO NOT touch LEDs with hands or fingers.
- 2) Raise fixture to surface to be mounted too and mark the mounting surface through the four (4) mounting holes.
- 3) Lower fixture from mounting surface and put aside.
- 4) Acquire a drill with a 1/8 inch drill bit and drill the four (4) marked spots on the mounting surface.
- 5) Tap in the four (4) anchors[4]
- 6) Grounding instructions: (See Illus. A or B).
  - A) On fixtures where mounting strap is provided with a hole and two raised dimples. Wrap ground wire from outlet box around green ground screw, and thread into hole.
  - B) On fixtures where a cupped washer is provided. Attach ground wire from outlet box under cupped washer and green ground screw, and thread into mounting strap.

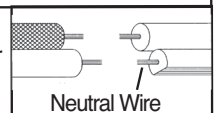
If fixture is provided with ground wire. Connect fixture ground wire to outlet box ground wire with wire connector. (Not provided.) After following the above steps. Never connect ground wire to black or white power supply wires.



- 7) Make wire connections. Reference chart below for correct connections and wire accordingly.

Connect Black or Red Supply Wire to:	Connect White Supply Wire to:
Black	White
*Parallel cord (round & smooth)	*Parallel cord (square & ridged)
Clear, Brown, Gold or Black without Tracer	Clear, Brown, Gold or Black with Tracer
Insulated wire (other than green) with copper conductor	Insulated wire (other than green) with silver conductor

\*Note: When parallel wire (SPT I & SPT II) are used. The neutral wire is square shaped or ridged and the other wire will be round in shape or smooth (see illus.)



- 8) Carefully push wire connections[3] back into outlet box making sure all connections remain secure.
- 9) Push fixture[1] over outlet box and align the four (4) holes in the pan over the installed anchors and using the four screws[5] secure the fixture to the mounting surface.
- 10) Place diffuser[2] up to the fixture and tilting it up into place making sure that the diffuser is securely in place.



**ATTENTION – RISQUE DE DÉCHARGES ÉLECTRIQUES–**  
**Couper le courant au niveau du panneau du disjoncteur du**  
**circuit principal ou de la boîte à fusibles principale avant de**  
**procéder à l'installation.**

**ATTENTION:**

Ce luminaire doit être installé conformément aux codes d'électricité nationaux (NEC) et satisfaire toutes les spécifications des codes locaux. Si vous ne connaissez pas les exigences de ces codes, il est recommandé de confier l'installation à un électricien certifié.

**NETTOYAGE:**

Toujours veiller à ce que le courant électrique soit coupé avant de nettoyer. Utiliser uniquement un chiffon doux humidifié. Les produits de nettoyage trop puissants peuvent endommager la finition.

**FCC INFORMATION:**

Cet appareil est conforme à la section 15 de la réglementation de la FCC. L'exploitation est soumise aux deux conditions suivantes :

- 1) Cet équipement ne doit pas causer d'interférences nuisibles, et
- 2) cet équipement doit accepter toute interférence reçue, y compris les interférences risquant d'engendrer un fonctionnement indésirable.

Remarque: Des tests ont confirmé que ce matériel respecte les limites d'un dispositif numérique de catégorie B, en vertu de la section 15 de la réglementation de la FCC. Ces limites ont été conçues pour fournir une protection raisonnable contre le brouillage nuisible d'une installation résidentielle. Cet équipement génère, utilise et peut rayonner de l'énergie radiofréquence et, s'il n'est pas installé et utilisé selon les instructions, peut causer de l'interférence nuisible aux communications de radio. Cependant, il est néanmoins possible qu'il y ait de l'interférence dans une installation en particulier. Si cet équipement cause du brouillage nuisible à la réception du signal de radio ou de télévision, ce qui peut être déterminé en éteignant puis en rallumant l'appareil, l'utilisateur peut essayer de corriger l'interférence en appliquant une des mesures suivantes :

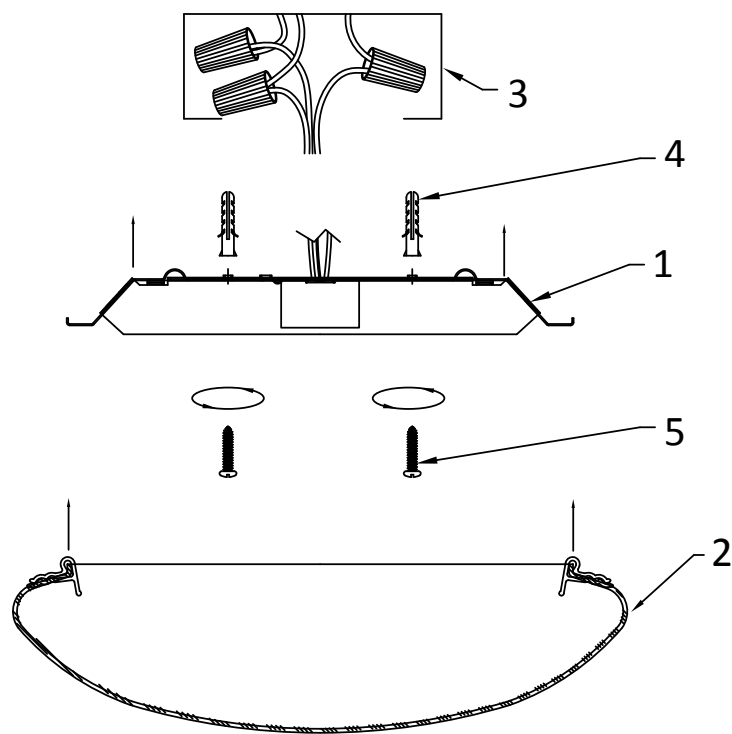
- Réorienter l'antenne de réception ou changer son emplacement.
- Augmenter la distance séparant l'équipement et le récepteur.
- Brancher le matériel dans la prise de courant d'un circuit différent de celui auquel le récepteur est branché.
- Consulter le revendeur ou un technicien radio/télé d'expérience.

**INSTALLATION:**

- Lire et comprendre toutes les instructions et illustrations avant de procéder au montage et à l'installation du luminaire.
- En cas de doute sur l'installation de ce luminaire, ou si le luminaire ne fonctionne pas correctement, prière de contacter un électricien agréé.
- Utiliser toutes les pièces selon les instructions. Ne pas substituer de pièces, exclure certaines pièces du montage ou se servir de pièces usées ou endommagées. Le non-respect de ces instructions risque d'annuler l'homologation UL, le certificat C.S.A. ainsi que l'homologation ETL de ce luminaire.
- Le luminaire doit être connecté à un circuit dédié.
- La surface de montage doit être propre, sèche, plate et plus grande de 0,6 cm que la surface du boîtier du luminaire.

**Instructions**

- 1) Remove lens from the diffuser[2] slightly and remove it from the fixture. Mettre de côté. NE PAS toucher les diodes LED avec les mains ou les doigts.
- 2) Raise fixture to surface to be mounted too and mark the mounting surface through the four (4) mounting holes.
- 3) Lower fixture from mounting surface and put aside.
- 4) Acquire a drill with a 1/8 inch drill bit and drill the four (4) marked spots on the mounting surface.
- 5) Tap in the four (4) anchors[4]
- 6) Connecter les fils. Se porter au tableau ci-dessous pour faire les connexions.



- 7) Replacer soigneusement les fils[3] dans la boîte à prises en veillant à ce que les connexions ne soient pas déconnectées.
- 8) Push fixture[1] over outlet box and align the four (4) holes in the pan over the installed Anchors and using the four screws[5] secure the fixture to the mounting surface.
- 9) Place diffuser[2] up to the fixture and tilting it up into place making sure that the diffuser is securely in place.

Connecter le fil noir ou rouge de la boîte	Connecter le fil blanc de la boîte
A Noir	A Blanc
*Au cordon parallèle (rond et lisse)	*Au cordon parallèle (à angles droits et strié)
Au transparent, doré, marron, ou noir sans fil distinctif	Au transparent, doré, marron, ou noir avec un fil distinctif
Fil isolé (sauf fil vert) avec conducteur en cuivre	Fil isolé (sauf fil vert) avec conducteur en argent

\*Remarque: Avec emploi d'un fil parallèle (SPT I et SPT II). Le fil neutre est à angles droits ou strié et l'autre fil doit être rond ou lisse (Voir le schéma).

