

# KICHLER®

Kichler® is a registered trademark of  
The L.D. Kichler Co. All Rights Reserved.

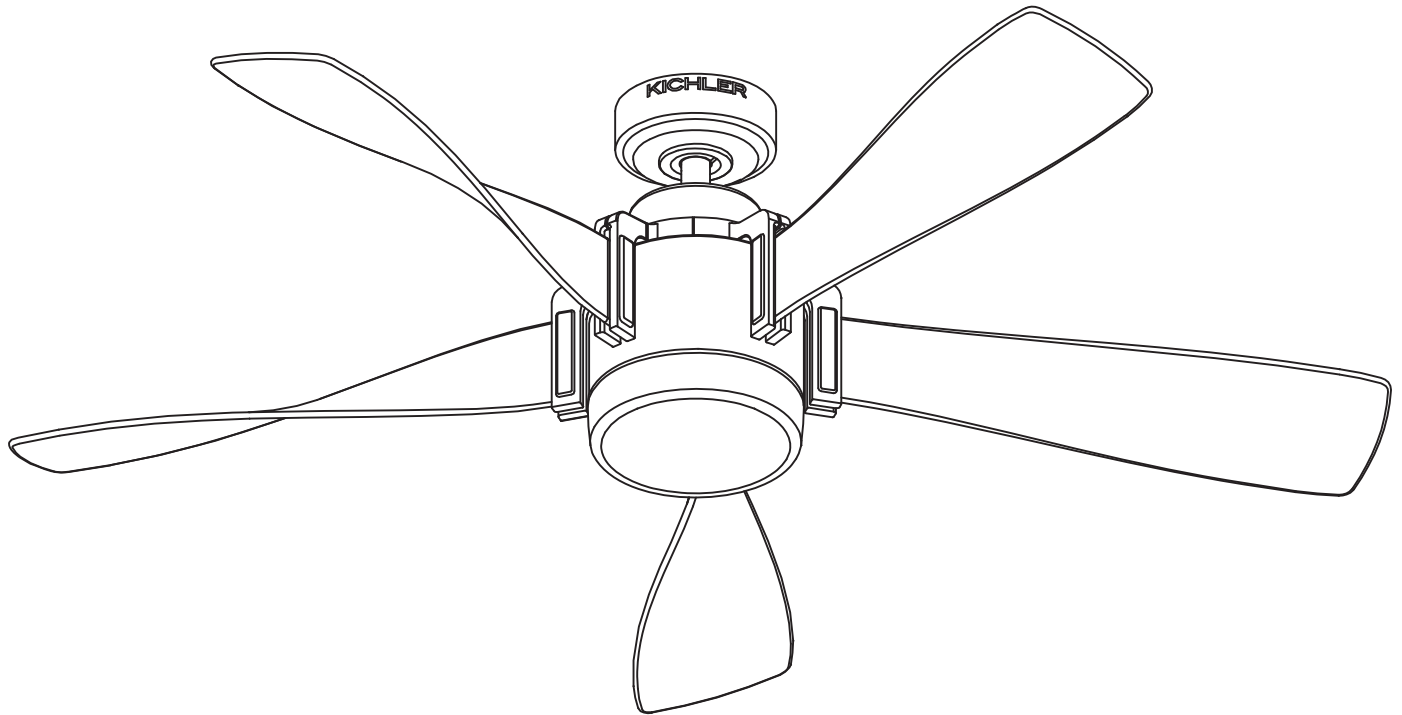
ITEM #0747612

## LED CEILING FAN

MODEL #35153

Français p. 17

Español p. 33



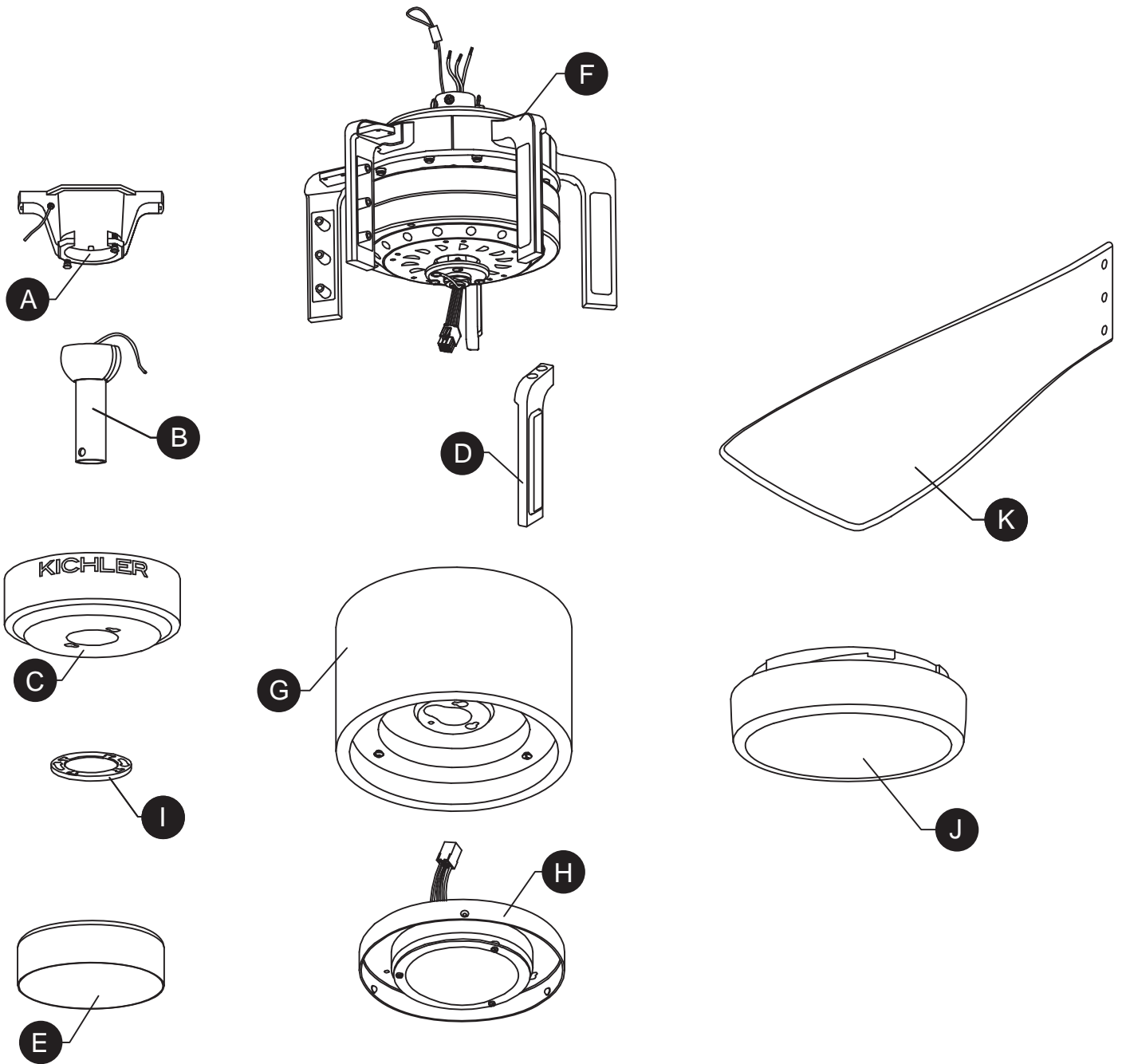
ATTACH YOUR RECEIPT HERE

Serial Number \_\_\_\_\_ Purchase Date \_\_\_\_\_



**Questions, problems, missing parts?** Before returning to your retailer, call our customer service department at **1-800-554-6504**, 8 a.m. - 4:30 p.m, EST, Monday - Friday.

# PACKAGE CONTENTS

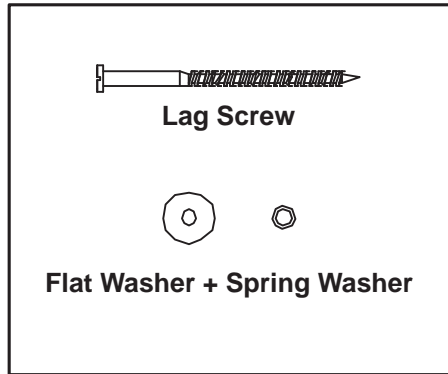
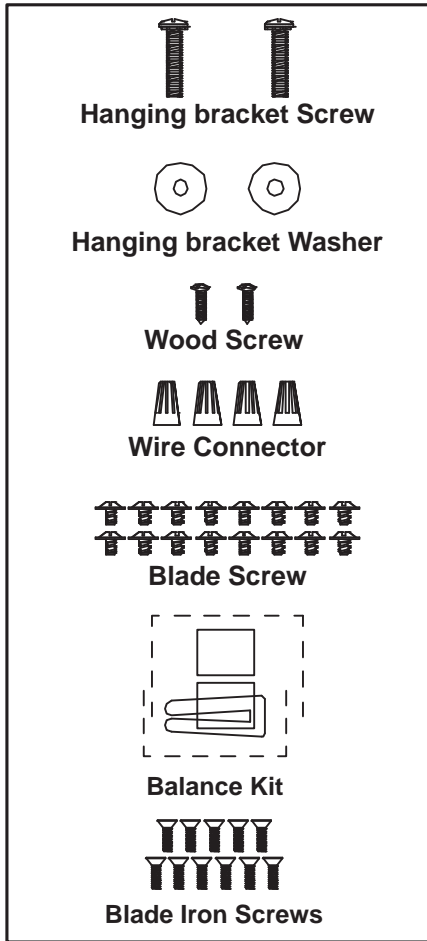


PART	DESCRIPTION	QTY
A	Hanging Bracket	1
B	Down Rod	1
C	Canopy	1
D	Blade Iron	5
E	Motor Coupling Cover	1
F	Motor Assembly	1

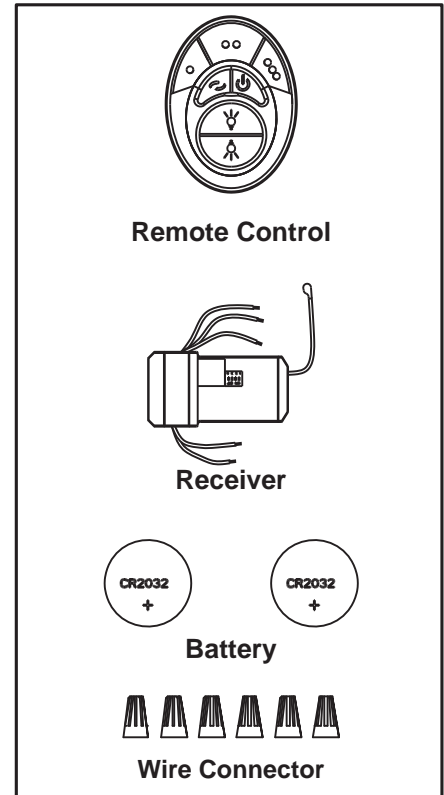
PART	DESCRIPTION	QTY
G	LED Housing	1
H	Light Kit	1
I	Canopy Hole Cover	1
J	Shade	1
K	Blade	5

# HARDWARE CONTENTS

## HARDWARE BAG



## REMOTE CONTROL



## SAFETY INFORMATION

Please read and understand this entire manual before attempting to assemble, operate or install the product. If you have any questions regarding the product, please call customer service at **1-800-554-6504**, 8 a.m. - 4:30 p.m., EST.

### WARNING:

- Important: When using an existing outlet box, be sure the box is securely attached to the building structure and can support the full weight of the fan. Failure to do so can result in serious injury or death.
- Turn off circuit breakers and wall switch to the fan supply wire leads. Warning: Failure to disconnect power supply prior to installation may result in serious injury or death.
- Warning - Connecting this fan to a light switch (on/off) has been known to cause damage to the receiver. This fan must be wired to continually receive power. Failure to do so will drastically reduce the lifespan of this fan.
- Do not install fan on a ceiling with a pitch greater than 20°.
- WARNING – To Reduce The Risk Of Fire, Electric Shock, Or Personal Injury, Mount To Outlet Box Marked 'Acceptable for Fan Support of 15.9 kg (35 lbs) or less' And Use Mounting Screws Provided With The Outlet Box and/or Support Directly From Building Structure. Most Outlet Boxes Commonly Used For The Support of Luminaires Are Not Acceptable For Fan Support And May Need To Be Replaced. Consult A Qualified Electrician If In Doubt."
- Important: Be sure wiring box is properly grounded or that a ground (green) wire is present.
- Make sure the installation site you choose allows a minimum of 7 feet from the floor to the end of the blades.

## WARNING (continued)

---

- To reduce the risk of fire or electrical shock, do not use this fan with any solid state fan speed device or variable speed control.
- Do not touch hot LED
- The LED light output is strong enough to injure human eyes. Precautions must be taken to prevent looking directly at the LEDs with unaided eyes for more than a few seconds.

## CAUTION:

- Read and understand all instructions and illustrations completely before proceeding with assembly and installation of this fixture.
- If you have any doubts about how to install this lighting fixture, or if the fixture fails to operate completely, please contact a qualified licensed electrical contractor.
- All parts must be used as indicated in these instructions. Do not substitute any parts, leave parts out, or use any parts that are worn out or broken. Failure to obey this instruction could invalidate the UL listing, C.S.A. certification, and/or ETL listing of this fixture.
- This fixture is intended for installation in accordance with the National Electric Code (NEC) and all local code specifications.
- Use ONLY the supplied LED driver to power fixture.
- Driver cable is not intended for use through or concealed behind walls, floors, or ceilings.
- This fixture is for indoor use only.

## PREPARATION

---

Before beginning assembly of product, make sure all parts are present. Compare parts with package contents list and diagram. If any part is missing or damaged, do not attempt to assemble the product. Contact customer service for replacement parts.

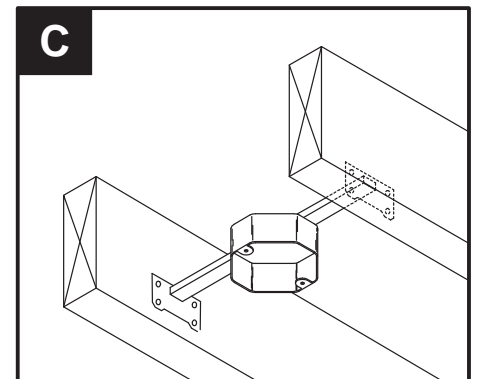
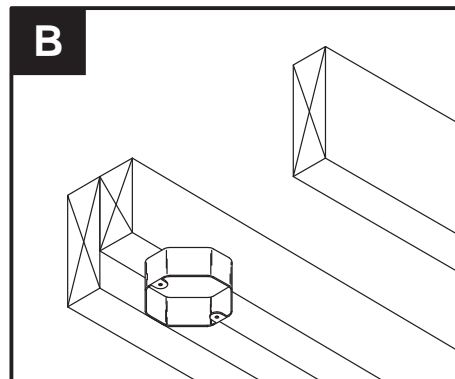
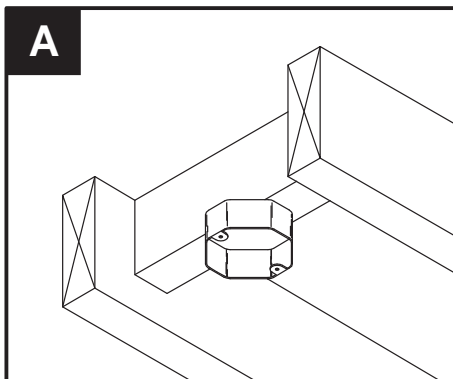
**Estimated assembly time: 30 minutes to 1 hour.**

Tools Required for Assembly (not included): Phillips screwdriver, flathead screwdriver, wire strippers, electrical tape, ladder, safety glasses.

## ASSEMBLY INSTRUCTIONS

---

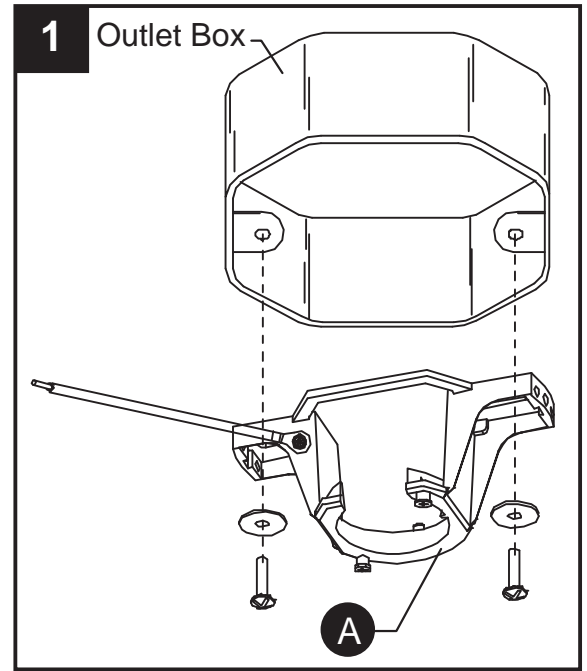
- **WARNING-**To reduce risk of fire, electric shock, or personal injury, mount to outlet box marked “Acceptable for Fan Support of 15.9kg (35lbs) or less” and use mounting screws provided with the outlet box and/or support directly from building structure. Most outlet boxes commonly used for the support of luminaries are not acceptable for fan support and may need to be replaced. Consult a qualified electrician if in doubt.
- **Warning-**Risk of fire, electric shock, or personal injury. Ceiling fans may be either directly supported from a structural framing member of a building and (see examples in figures A & B) or may be mounted to an outlet box marked acceptable for fan support of 31.8 kg (70 lbs) to 15.9kg (35 lbs) (see example in figure C).



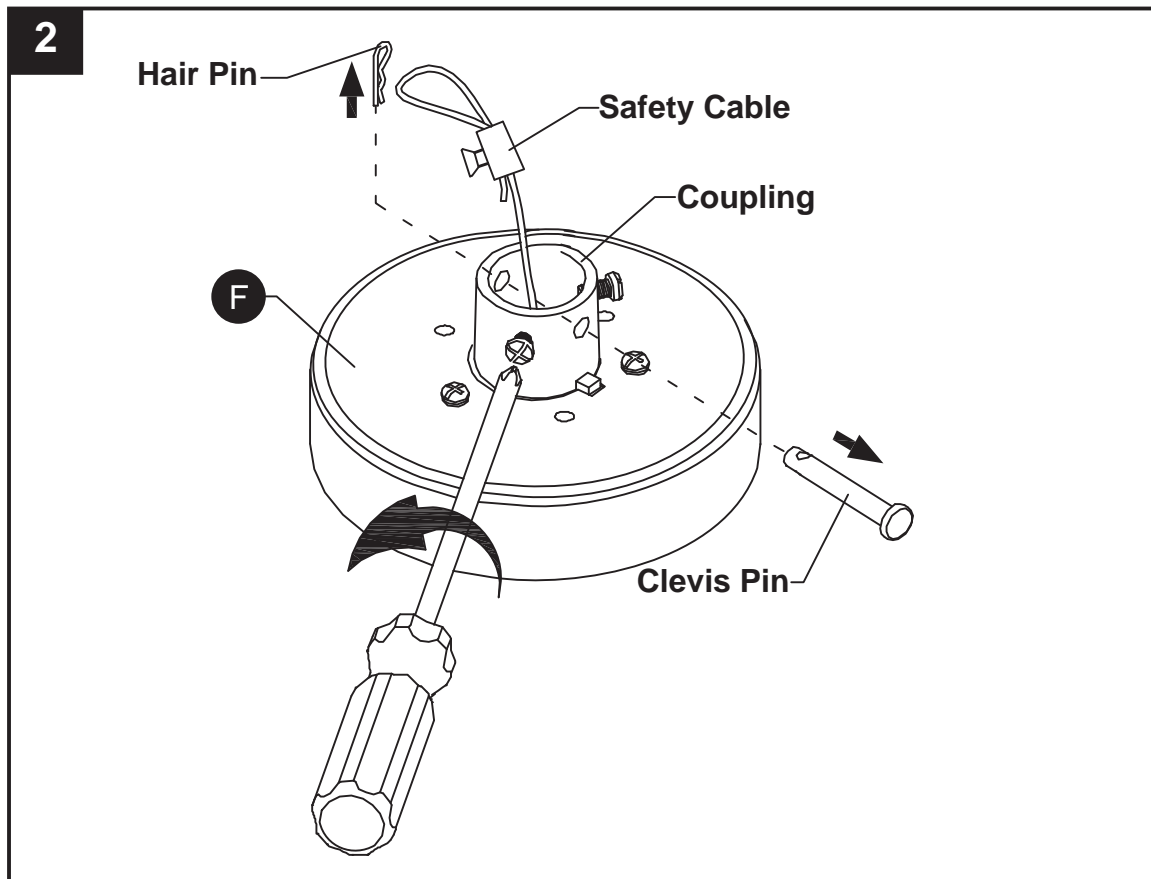
## ASSEMBLY INSTRUCTIONS

1. Secure the hanging bracket (A) to the ceiling outlet box using hanging bracket screws and hanging bracket washers.

Important: If attaching the fan to a sloped ceiling, make sure open end of mounting bracket is installed facing the roof. Do not install fan on a ceiling with a pitch greater than 20°.

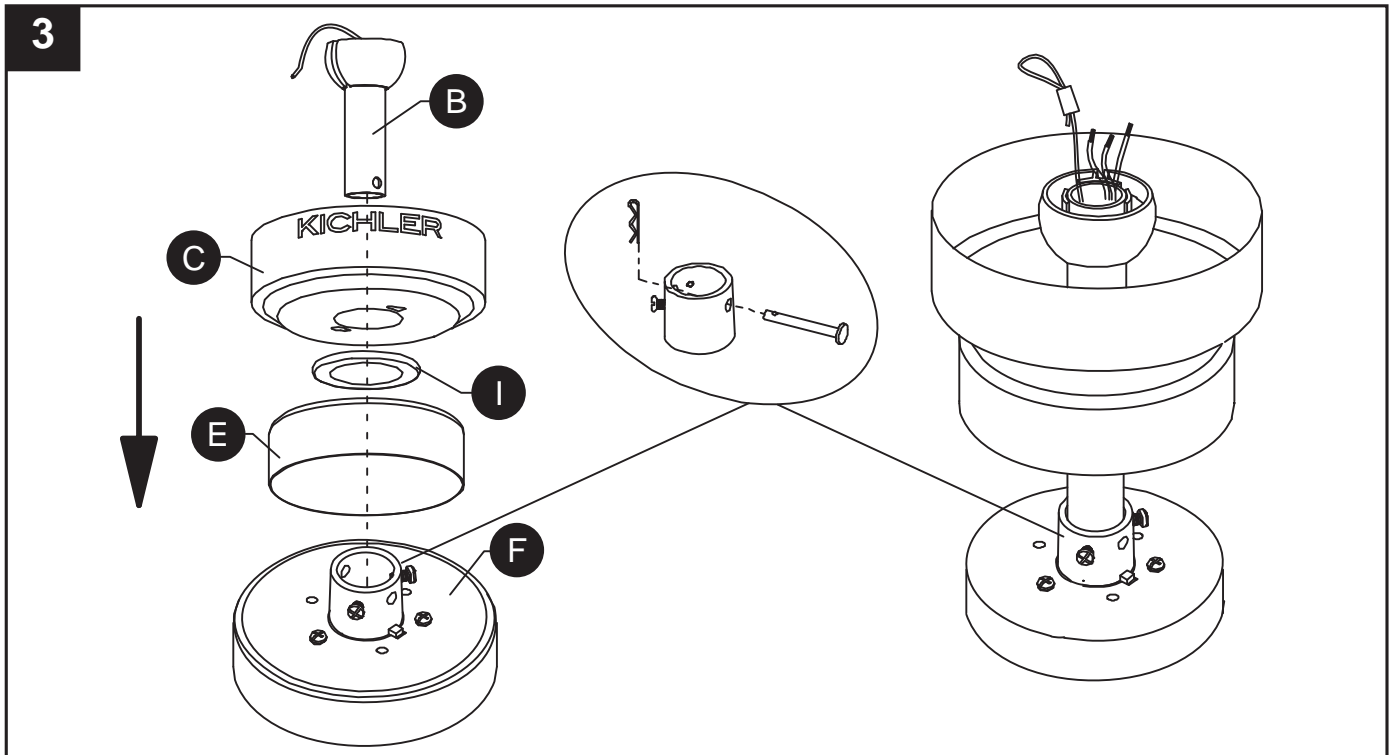


2. Loosen the set screws found on coupling on top of the motor assembly (F). Then remove the hair and clevis pin that will be used on a later step.

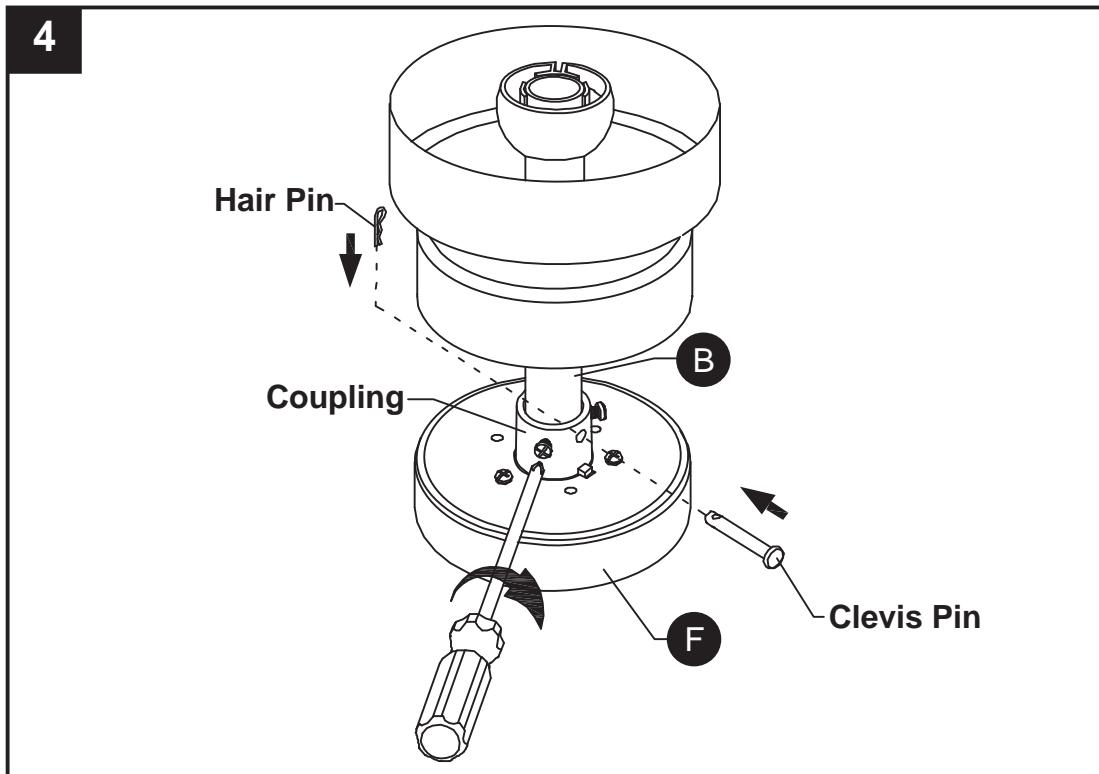


## ASSEMBLY INSTRUCTIONS

3. Insert down rod (B) through canopy (C), canopy hole cover (I), and motor coupling cover (E). Feed wires from the motor assembly (F) through the down rod (B), then insert the down rod (B) into the coupling found on top of the motor assembly (F).

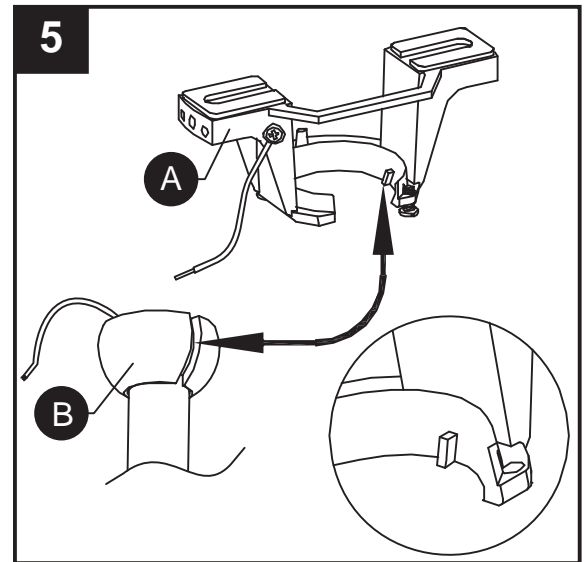


4. Pass the clevis pin through the down rod (B) and coupling found on the motor assembly (F) then secure with the hair pin. Tighten set screws found on the coupling on the motor assembly (F).

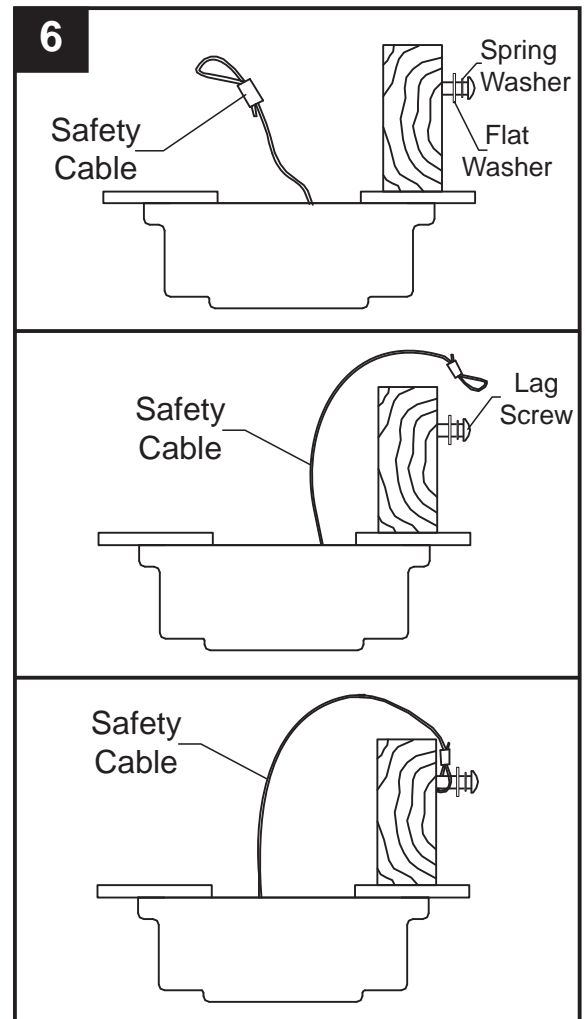


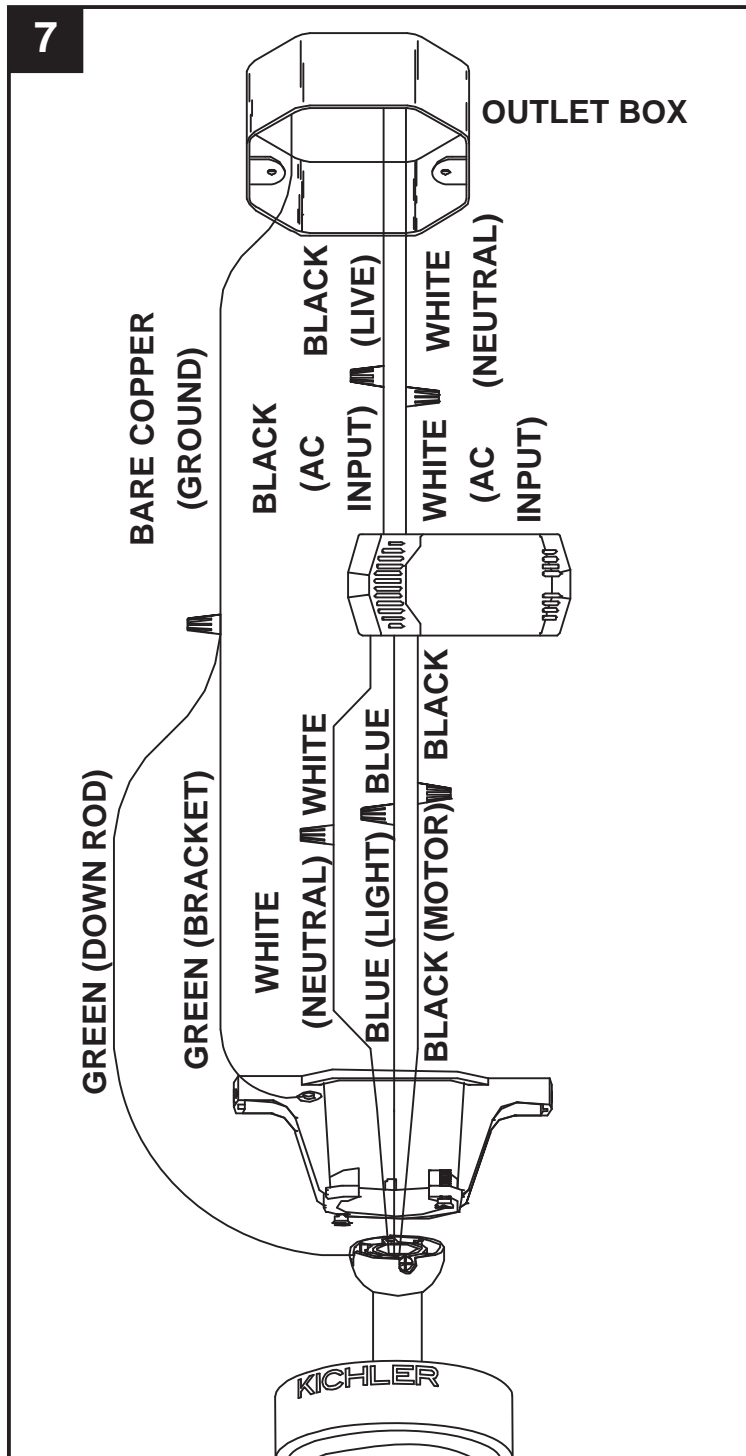
## ASSEMBLY INSTRUCTIONS

5. Carefully lift the fan and seat the downrod (B)/hanger ball assembly on the hanging bracket (A). Be sure the groove in the ball is lined up with the tab on the hanging bracket (A).



6. For Canadian installation and for USA fans over 35 lbs, the safety cable must be installed into the house structure beams using a 3" lag screw. Make sure that when the safety cable is fully extended the lead wires are longer than the cable and no stress is placed on the lead wires.





7. Wiring the fan per wiring diagram and securely connect wires with wire connectors: Wrap electrical tape (not included) around each wire connector and make sure no bare wire or wire strands are visible after making connections.

- Connect WHITE wire from the fan to WHITE wire marked TO MOTOR N from the receiver.
- Connect BLUE wire from the fan to BLUE wire marked FOR LIGHT from the receiver.
- Connect BLACK wire from the fan to BLACK wire marked TO MOTOR L from the receiver.
- Connect BLACK wire from the outlet box to BLACK wire marked AC IN L from the receiver.
- Connect WHITE wire from the outlet box to WHITE wire marked AC IN N from the receiver.
- Connect GROUND (GREEN) wires from hanger bracket and downrod ball, to GROUND (GREEN or BARE COPPER) from house.

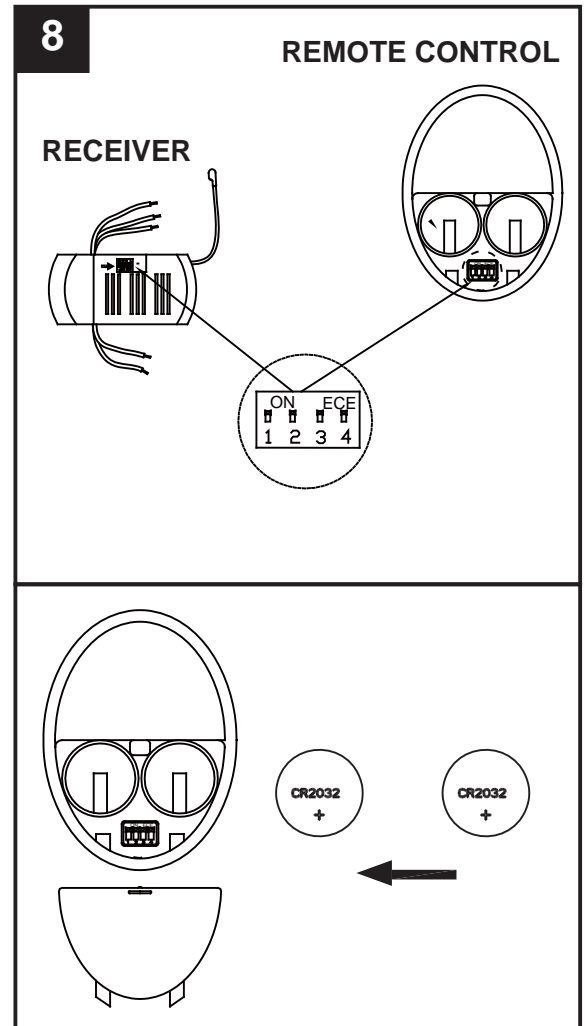


## ASSEMBLY INSTRUCTIONS

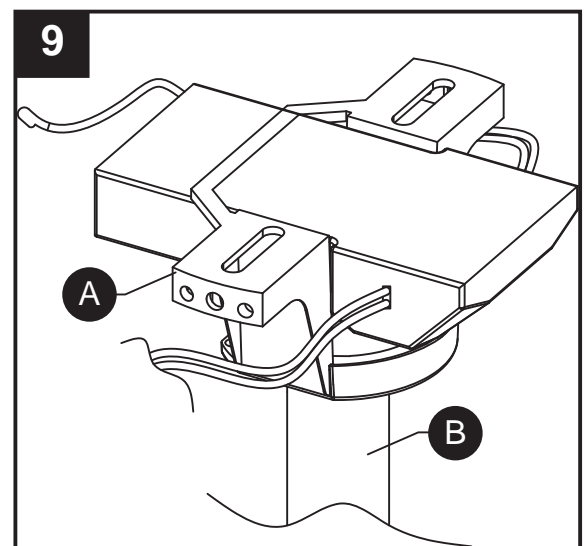
8. Install the batteries (3-Volt 2032) into the remote. Make sure the batteries are seated correctly in each recess with the positive symbol facing up, then replace battery cover. Test the remote control by pushing any button. A blue light should illuminate. If no blue light appears make sure the batteries are seated properly.

This fans control system is equipped with 16 code combinations to prevent possible interference from or to other remote units. The frequency switches on your receiver and remote control have been preset at the factory. Remove the remote control battery cover and make sure the switches are set to the same position. This must be done so that your fan will communicate properly. If you are using more than one fan in the same area and want to control them separately, change one fan's dip switch settings in the remote control and receiver to a new pattern.

**NOTE:** If not using for long periods of time, remove battery to prevent damage to remote control. Store the remote away from excessive heat or humidity.

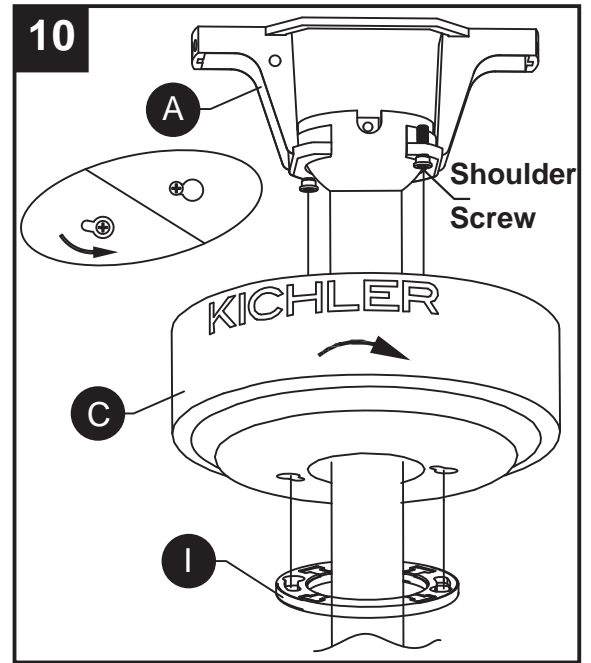


9. Once wiring step has been completed, slide the wired remote receiver in between the hanging bracket (A) and the top of the downrod ball (B) with the flat side of the receiver facing the ceiling. Turn lead wires upward and carefully push them into the outlet box, with the white and green wires to one side of the box and the black wires toward the other side.



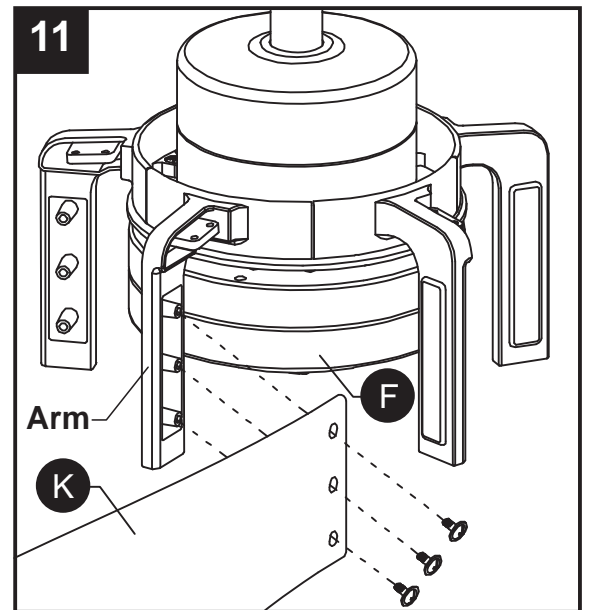
## ASSEMBLY INSTRUCTIONS

10. Loosen the two shoulder screws without fully removing the hanging bracket (A). Assemble canopy (C) by rotating keyhole slot in canopy over shoulder screws in hanging bracket (A). Tighten shoulder screws. Securely attach and tighten the canopy hole cover (I) over the shoulder screws in the hanging bracket (A) utilizing the keyhole slot twist-lock feature.



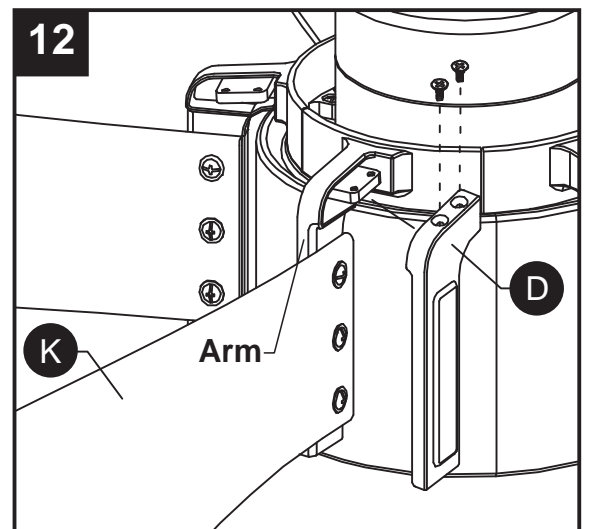
11. Attach blade (K) to the arm on the motor assembly (F) with blade screws. Do not tighten blade screws until each screw has been started. Then, tighten each screw starting with the center screw.

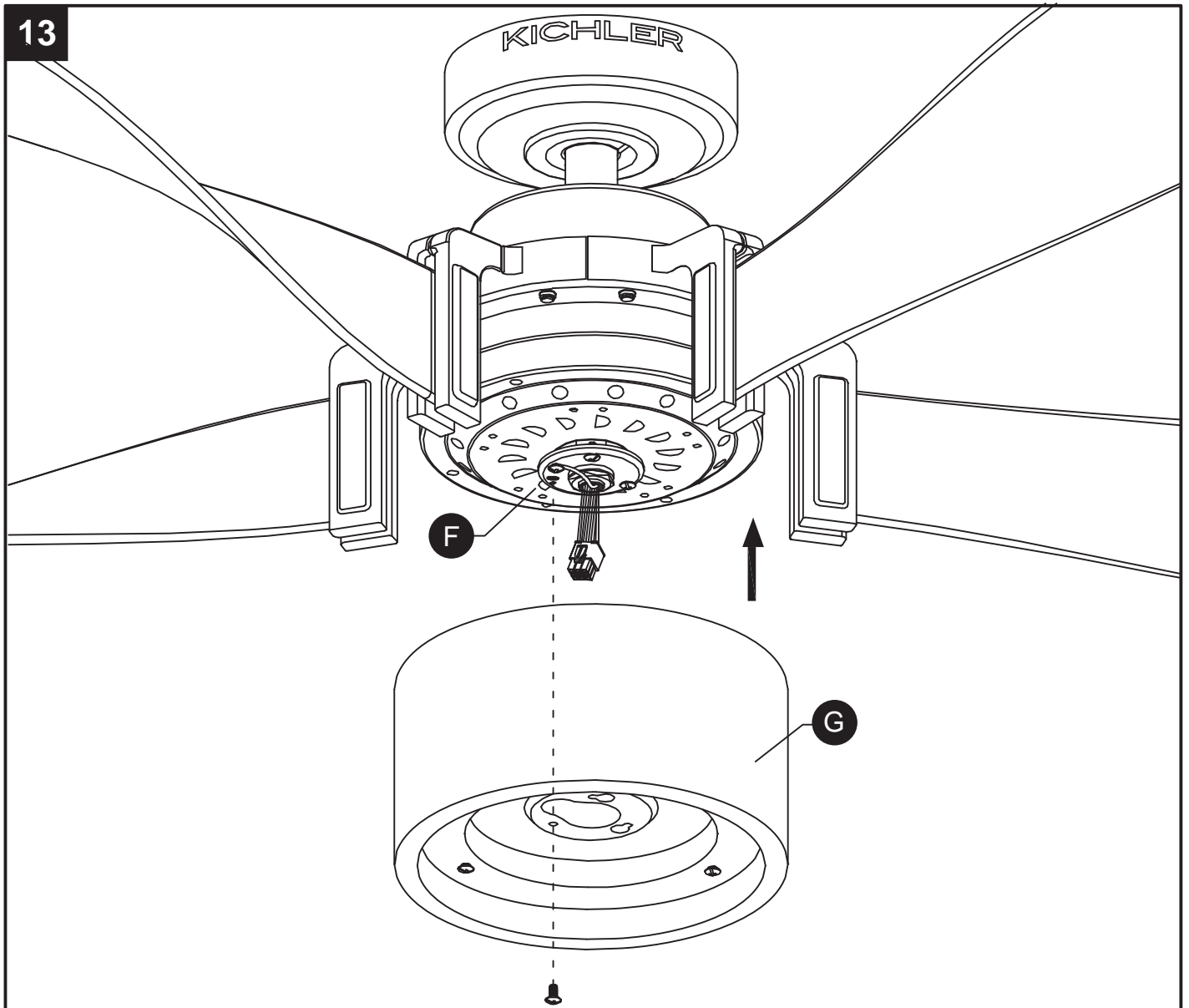
Repeat for remaining blades



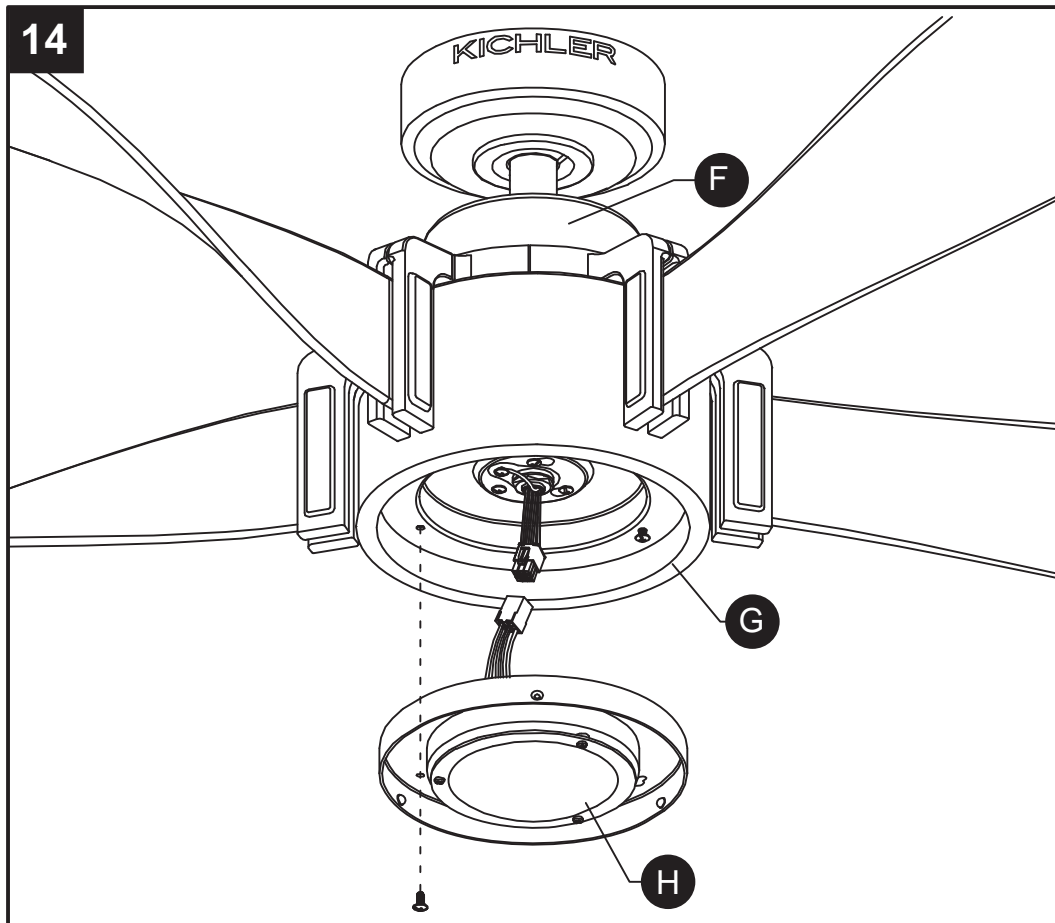
12. Pass blade iron (D) over blade (K) and secure to arms with blade iron screws.

Repeat for remaining blade irons.

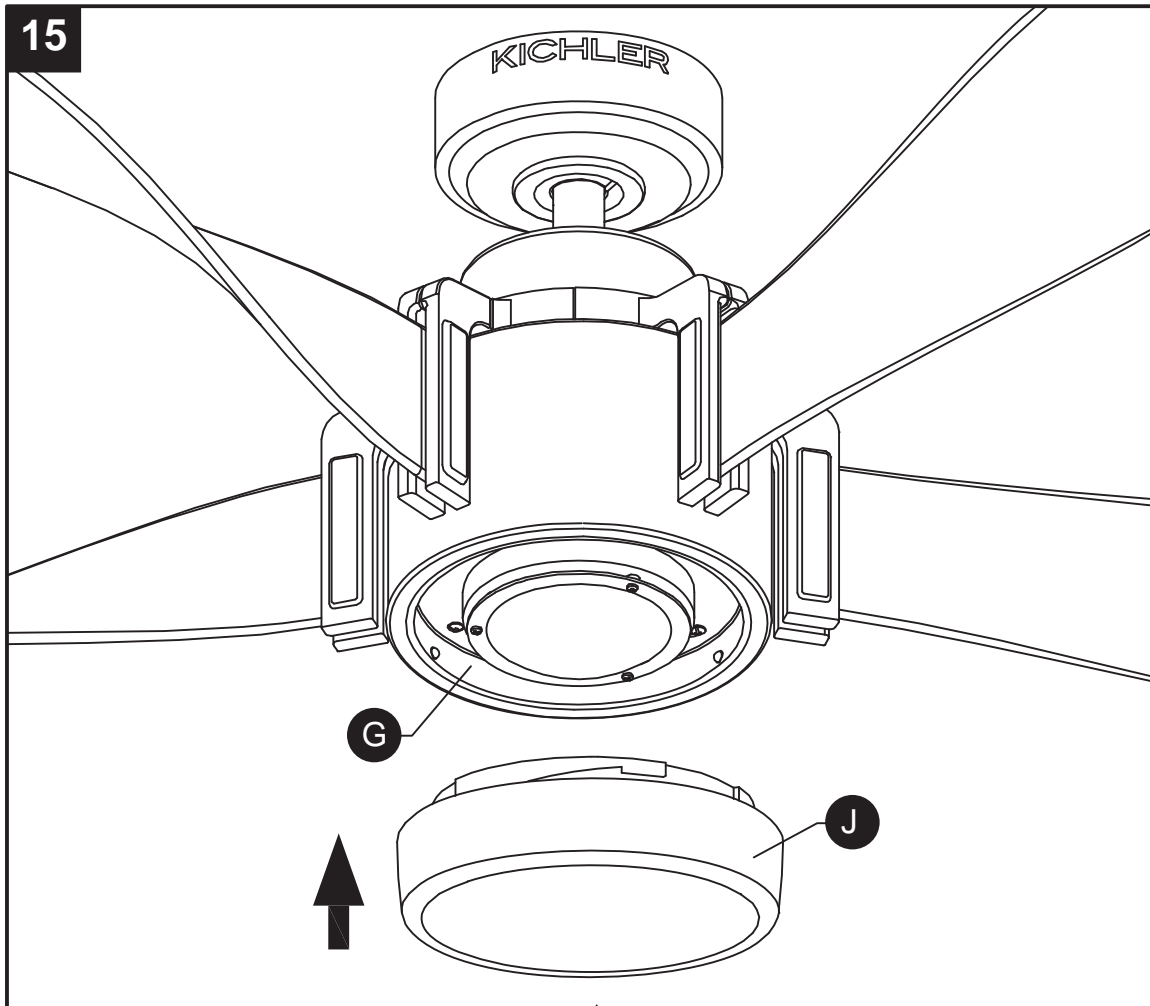




13. Remove the mounting screw marked with a red dot label from the motor assembly (F) and loosen but do not remove the other 2. Feed the wires from the motor assembly (F) through the center hole in the LED housing (G). Position keyhole slots around the screws and twist clockwise. Insert the screw that you had previously removed. Tighten all screws.



14. Connect wires from the motor assembly (F) to the LED kit (H). Remove 1 of 3 screws from the LED housing (G) and loosen the other 2. Position keyhole slots around the screws and twist clockwise. Insert the screw that you had previously removed. Tighten all screws.



15. Screw shade (J) onto LED housing (G).

## OPERATING INSTRUCTIONS

### Speed Buttons:

- Low Speed ●
- Medium Speed ●●
- High Speed ●●●

### Light Buttons:

These two buttons turn the light ON and OFF as well as controlling the brightness setting.

### Power Button:

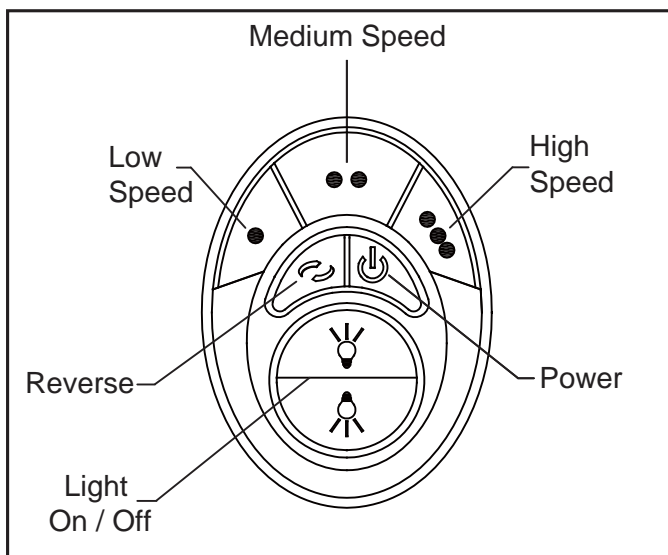
This button turns the fan motor off and is also used in the program procedure.

### Directional Button:

This button changes the fan direction from forward to reverse.

- In warmer weather, counterclockwise movement of the fan will result in downward airflow creating a wind chill effect.
- In cooler weather, clockwise movement of the fan will result in upward airflow that can help move stagnant hot air off the ceiling area.

**REMOTE CONTROL**



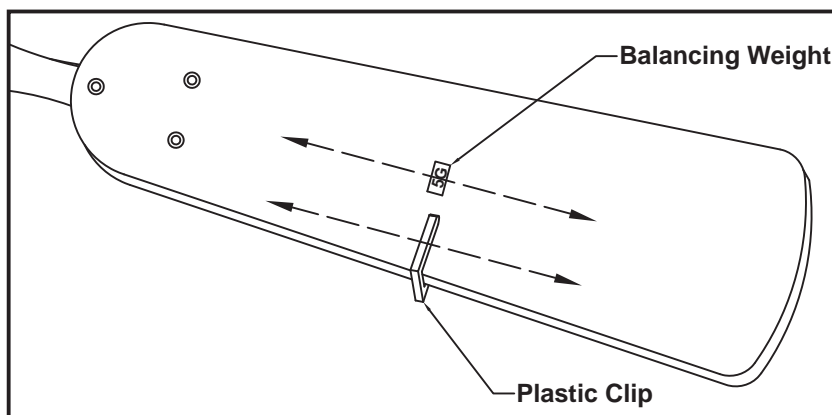
**STEPS TO BALANCING THE CEILING FAN**

- Tighten screws on the mounting bracket, outlet box, the downrod , fan blades to blade holders, and blade holders to the motor housing.
- Measure the distance from the tip of each blade to the ceiling. All blades should have the same vertical distance from the ceiling. Adjust any bent blade holder, by gently pressing up or down on the brackets, until all blades are at an equal distance from the ceiling.

If wobbling persists, you may need a blade balancing kit to stabilize the ceiling fan. A blade balancing kit consists of a plastic clip and two balancing weights.

Determining the blade that needs to be balanced is a trial-and-error task.

1. Place a numbered piece of masking tape on each blade so you don't lose track of which blade is which.
2. One blade at a time, attach the slotted plastic clip over the center of the blade edge and turn the fan on. Observe which blade has the clip on when the ceiling fan wobbles the least.
3. Place the plastic clip on the edge of the blade, halfway between the blade holder and the blade tip. Turn fan on and determine improvement.
4. If there is no improvement, turn off the fan again. Slide the clip along the length of the blade to locate the source of instability.
5. Once you've found the faulty blade, press a balancing weight on the centerline. The weight should be parallel to the clip.



## **FCC WARNING**

---

This device complies with part 15 of the FCC Rules. Operation is subject to the following two conditions: (1) This device may not cause harmful interference, and (2) this device must accept any interference received, including interference that may cause undesired operation.

Changes or modifications not expressly approved by the party responsible for compliance could void the user's authority to operate the equipment.

NOTE: This equipment has been tested and found to comply with the limits for a Class B digital device, pursuant to part 15 of the FCC Rules. These limits are designed to provide reasonable protection against harmful interference in a residential installation. This equipment generates, uses and can radiate radio frequency energy and, if not installed and used in accordance with the instructions, may cause harmful interference to radio communications. However, there is no guarantee that interference will not occur in a particular installation. If this equipment does cause harmful interference to radio or television reception, which can be determined by turning the equipment off and on, the user is encouraged to try to correct the interference by one or more of the following measures:

Reorient or relocate the receiving antenna, increase the separation between the equipment and receiver, and connect the equipment into an outlet on a circuit different from that to which the fan is connected.

## **CARE AND MAINTENANCE**

---

At least twice a each year tighten all screws and lower canopy to check mounting bracket screws and downrod assembly. Clean fan housing with only a soft brush or lint free cloth to avoid scratching the finish. Clean blades with a lint free cloth. Shut off main power supply before beginning any maintenance. Do not use water or a damp cloth to clean the ceiling fan.

## **WARRANTY**

---

Kichler offers the following limited lifetime warranty to the Original Purchaser of a Kichler Ceiling Fan: if the Fan's motor or motor-related parts should fail due to what Kichler, in its sole discretion, determines to be a defect in material or workmanship, Kichler will, at its option, either repair or replace the defective part free of charge.

Except as provided below, for one (1) year following the purchase date, if any part other than the motor or motor-related parts, including, but not limited to, blades, light kits, downrods, switches, housing, or finish should fail due to what Kichler, in its sole discretion, determines to be a defect in material or workmanship, Kichler, at its option, will repair or replace the defective part free of charge.

To replace a product that has a warranted defect, the Original Purchaser shall return any allegedly defective parts or products to the authorized Kichler distributor that the product was purchased from with PROOF OF PURCHASE, Original Purchaser's name and return address and a description of the claimed product defect.

If any of the warranted products are found by Kichler, in its sole discretion, to be defective, such products will, at Kichler's sole option and cost, be replaced, repaired or refunded less an amount directly attributable to Original Purchaser's prior use of the product. Kichler will return the repaired or replaced product prepaid freight. This warranty does not cover labor or other costs or expenses to remove or install any defective, repaired or replaced product.

The parties hereto expressly agree that Original Purchaser's sole and exclusive remedy against Kichler shall be for the repair, replacement or refund of defective products as provided herein. This warranty extends only to product ownership by the Original Purchaser; is not transferable whether to heirs, subsequent owners, or otherwise; and is void if the Original Purchaser ceases to own the product.

This warranty does not apply to any products that have been subjected to misuse, mishandling, misapplication, connected to voltage at more than 5% above standard North American voltage, unusual use (including but not limited to use in an environment where the annual average ambient operating temperature is below 27 or above 95 degrees Fahrenheit), neglect (including but not limited to improper maintenance), accident, acts of god such as high winds, improper installation or care, failure to follow the Product's written instructions for normal use and care, improper packaging of products returned to Kichler, modification (including but not limited to use of unauthorized parts or attachments), or adjustment or repair. Significant product exposure to chemicals, harsh cleaners, salt water or salt air will void any and all warranties on exterior finishes. This warranty only applies when all components, including transformers, have been provided by Kichler. Substituting another manufacturer's product and/or components will render the warranty completely void.

THIS WARRANTY GIVES YOU SPECIFIC LEGAL RIGHTS. YOU MAY ALSO HAVE OTHER RIGHTS, WHICH VARY FROM STATE TO STATE. SOME STATES DO NOT ALLOW LIMITATIONS ON HOW LONG AN IMPLIED WARRANTY LASTS OR THE EXCLUSION OR LIMITATION OF INCIDENTAL OR CONSEQUENTIAL DAMAGES SO THE ABOVE LIMITATIONS OR EXCLUSIONS MAY NOT APPLY TO YOU.

THE FOREGOING WARRANTY IS IN LIEU OF ALL OTHER WARRANTIES, EXPRESS OR IMPLIED, INCLUDING THOSE OF MERCHANTABILITY, FITNESS FOR ANY PARTICULAR PURPOSE OR INFRINGEMENT. ORIGINAL PURCHASER SHALL IN NO EVENT BE ENTITLED TO, AND KICHLER LIGHTING SHALL NOT BE LIABLE FOR, INDIRECT, SPECIAL, INCIDENTAL OR CONSEQUENTIAL DAMAGES OF ANY NATURE, INCLUDING, BUT NOT LIMITED TO LOSS OF PROFIT, PROMOTIONAL AND/OR MANUFACTURING EXPENSES, OVERHEAD, INJURY TO REPUTATION AND/OR LOSS OF CUSTOMERS.

Printed in China  
**KICHLER**



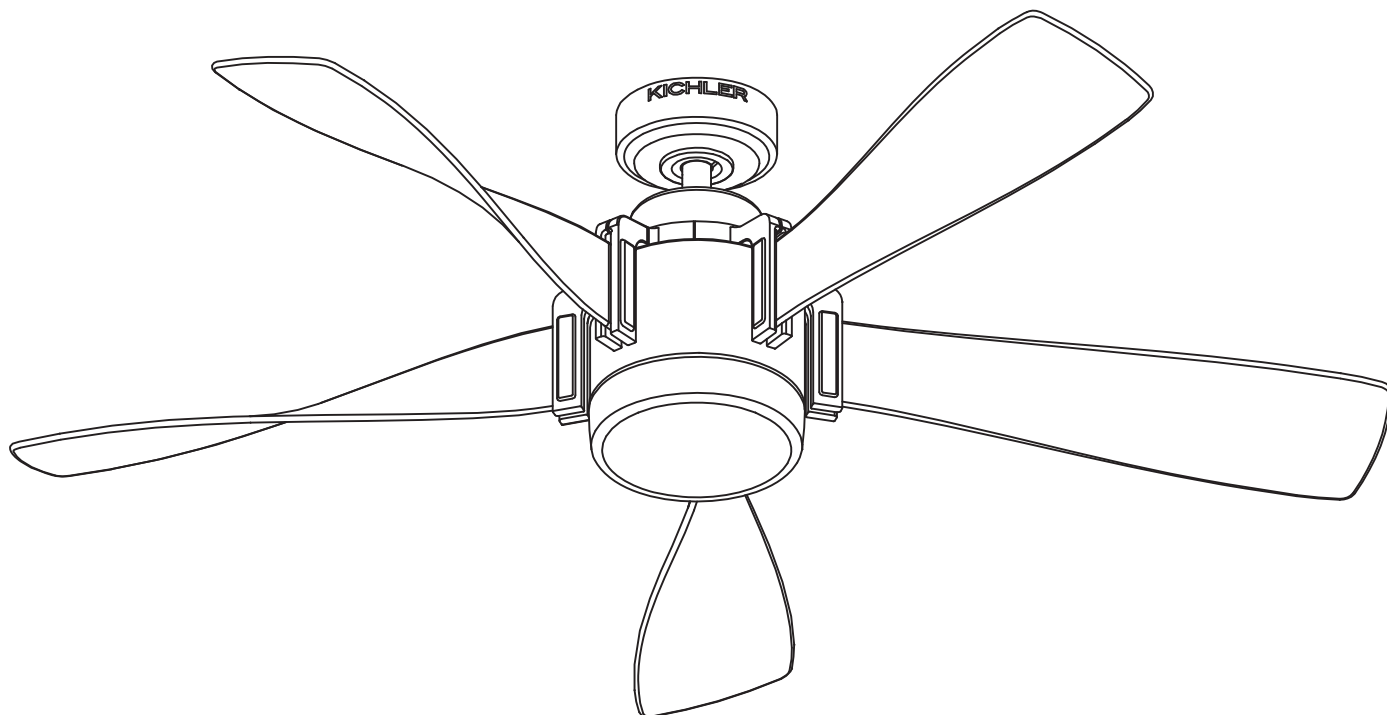
# KICHLER®

Kichler® est une marque déposée de  
The L.D. Kichler Co. Tous droits réservés.

ARTICLE #0747612

## VENTILATEUR DE PLAFOND À DEL

MODÈLE #35153

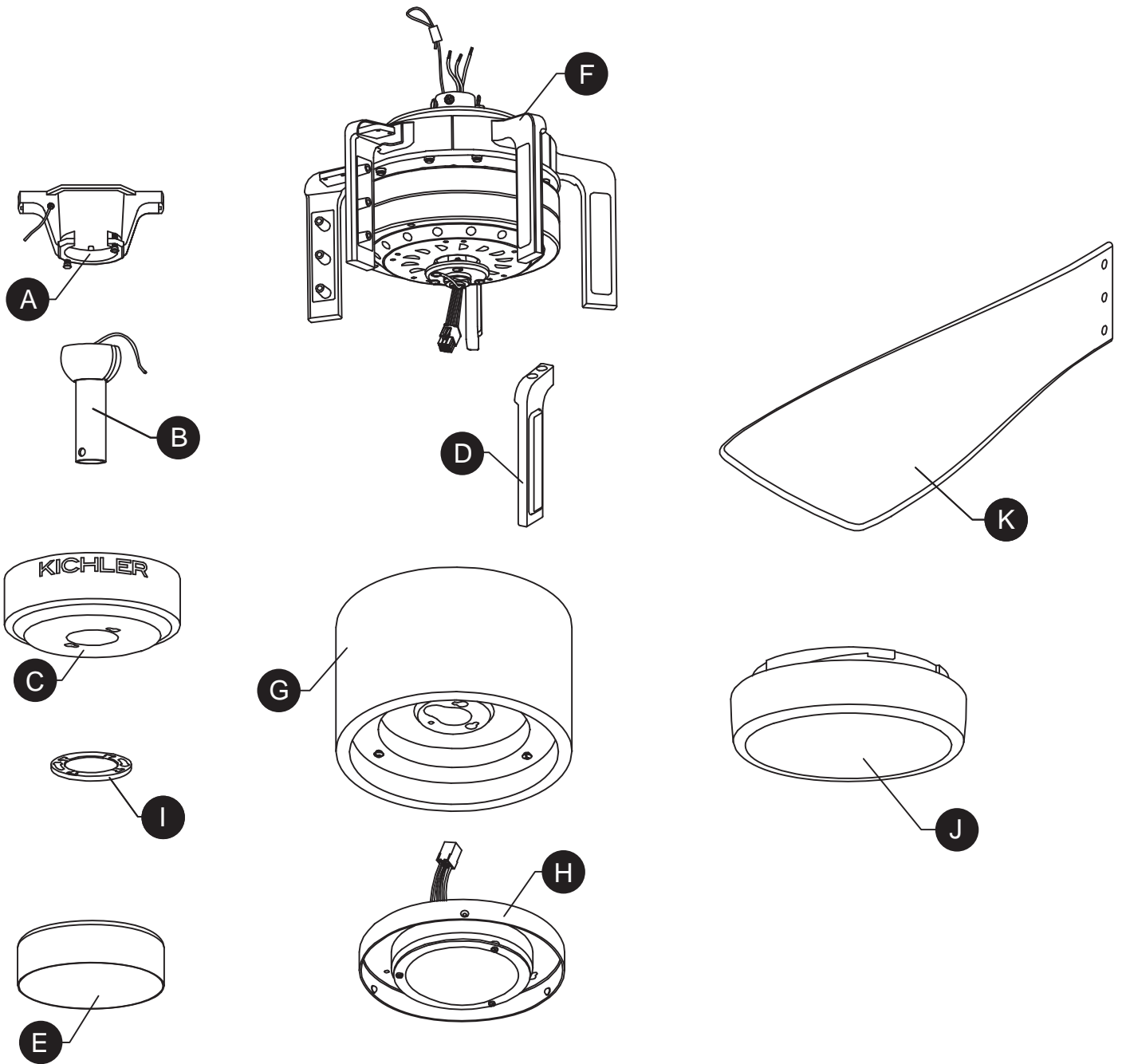


JOIGNEZ VOTRE REÇU ICI

Numéro de série \_\_\_\_\_ Date d'achat \_\_\_\_\_



**Des questions, des problèmes, des pièces manquantes?** Avant de retourner le produit à votre détaillant, appelez notre service à la clientèle au **1-800-554-6504**, entre 8 h et 16 h 30 (HNE) du lundi au vendredi.

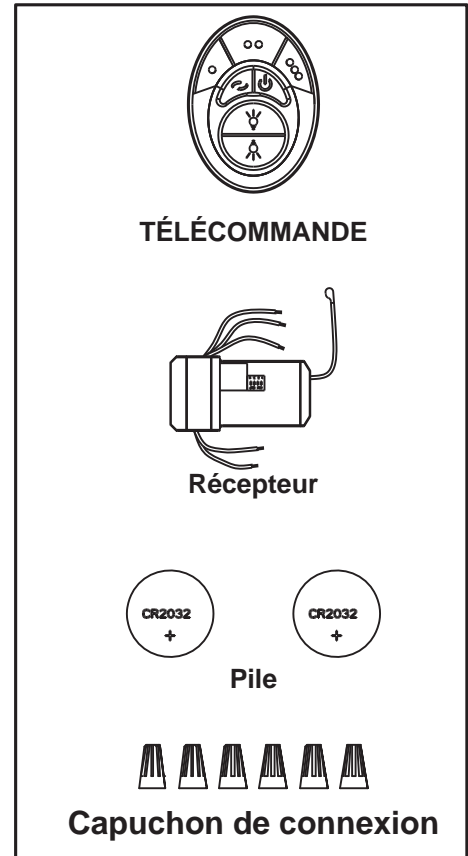
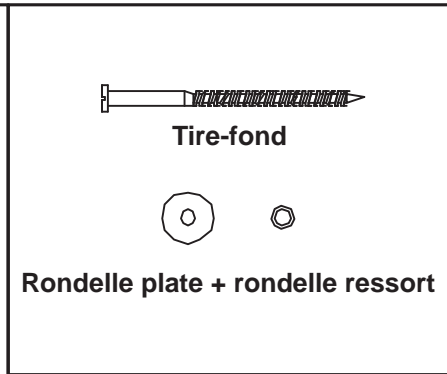
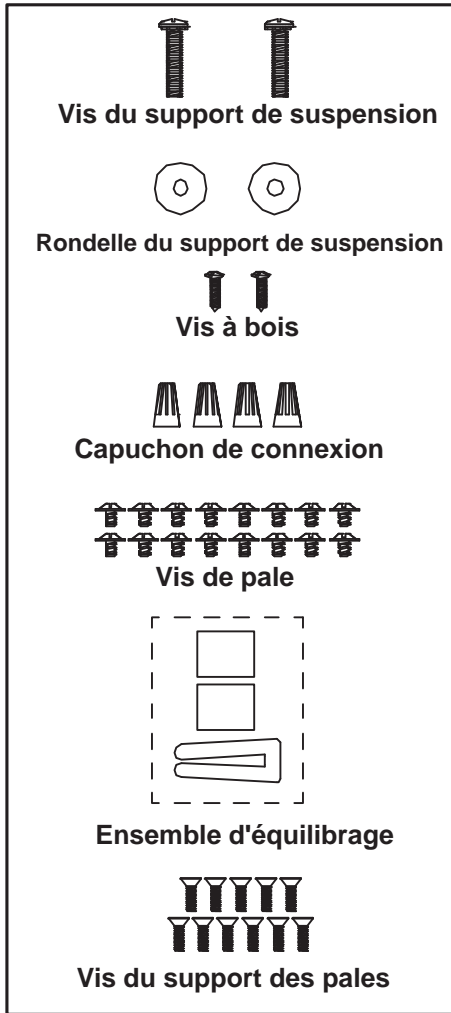


PIÈCE	DESCRIPTION	QTÉ
A	Support de suspension	1
B	Tige	1
C	Pavillon	1
D	Support des pales	5
E	Cache raccord du moteur	1
F	Ensemble moteur	1

PIÈCE	DESCRIPTION	QTÉ
G	Boîtier DEL	1
H	Kit d'éclairage	1
I	Cache-trou du pavillon	1
J	Abat-jour	1
K	Pale	5

**SACHET DE QUINCAILLERIE**

**TÉLÉCOMMANDE**



**CONSIGNES DE SÉCURITÉ**

Veuillez lire et assurez-vous d'avoir compris l'intégralité du présent guide avant d'assembler, d'utiliser ou d'installer ce produit. Si vous avez des questions concernant ce produit, veuillez appeler le service client au +1-800-554-6504, entre 8h et 16h30, HNE.

**AVERTISSEMENT :**

- Important : Lorsque vous utilisez une boîte de sortie existante, assurez-vous que la boîte est fermement attachée à la structure du bâtiment et peut supporter le poids total du ventilateur. Le non-respect de cette recommandation peut entraîner des blessures graves ou la mort.
- Coupez les disjoncteurs et l'interrupteur mural qui contrôlent les fils d'alimentation du ventilateur. Avertissement : Si l'alimentation électrique n'est pas coupée avant l'installation, il peut en résulter de graves blessures ou la mort.
- Avertissement – Connecter ce ventilateur à un interrupteur pour lampe (marche/arrêt) endommage le récepteur. Ce ventilateur doit être câblé afin de recevoir du courant en continu. Le non-respect de cette recommandation réduira considérablement la durée de vie de ce ventilateur.
- Ne pas installer sur un plafond incliné à plus de 20°.
- AVERTISSEMENT – Pour réduire le risque d'incendie, de choc électrique ou de blessures corporelles, installez le ventilateur sur une boîte de sortie marquée "Convient pour supporter un ventilateur de 15,9 kg (35 lb) maximum" et utilisez les vis de montage fournies avec la boîte de sortie et/ou fixez directement sur la structure du bâtiment. La plupart des boîtes de sortie utilisées couramment comme support de luminaires ne conviennent pas au support d'un ventilateur et devront être remplacées. Consultez un électricien qualifié de cas de doute.
- IMPORTANT : Assurez-vous que le boîtier de connexion est correctement mis à la terre ou qu'un fil de terre (vert) est présent.
- Assurez-vous que le site d'installation choisi offre une hauteur minimum de 2,13 m (7 pi) entre le sol et le dessous des pales.

## AVERTISSEMENT (suite)

- Pour réduire les risques d'incendie ou de choc électrique, n'utilisez pas ce ventilateur avec une commande de vitesse à semi-conducteurs ou une commande de variation de vitesse.
- Ne touchez pas les DEL chaudes.
- La lumière produite par les DEL est assez puissante pour blesser les yeux humains. Il est impératif de prendre des précautions pour éviter de recevoir directement dans les yeux non protégés la lumière des DEL pendant plus de quelques secondes.

### ATTENTION:

- Prenez soin de lire et de comprendre l'intégralité des instructions et des illustrations avant de commencer l'assemblage et l'installation de cet appareil.
- Si vous avez des doutes à propos de l'installation, ou si le luminaire ne fonctionne pas correctement, veuillez contacter un électricien qualifié agréé.
- Toutes les pièces doivent être utilisées tel qu'indiqué dans ces instructions. Ne remplacez pas les pièces, n'en laissez pas de côté et ne les utilisez pas si elles sont usées ou brisées. Le non-respect de ces instructions peut annuler les homologations UL, CSA et/ou ETL de cet appareil.
- Cet appareil est conçu pour une installation en conformité avec le code électrique national des États-Unis (National Electric Code - NEC) et avec toutes les spécifications du code électrique local.
- Utilisez UNIQUEMENT le pilote de DEL fourni pour faire fonctionner le luminaire.
- Le câble du pilote n'est pas conçu pour une utilisation à travers ou dissimulée derrière les murs, les sols ou les plafonds.
- Cet appareil est conçu pour une utilisation en intérieur uniquement.

### PRÉPARATION

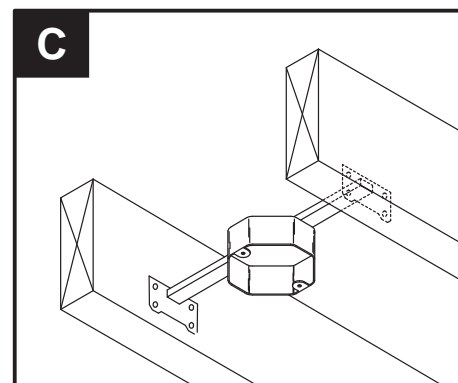
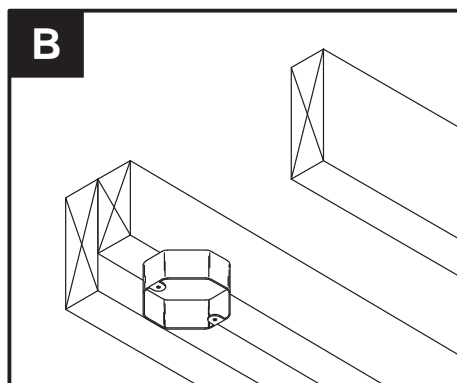
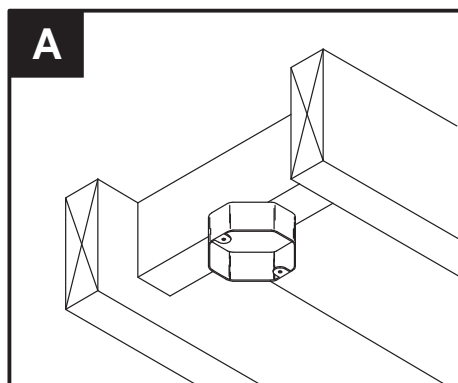
Avant de commencer l'assemblage du produit, assurez-vous que toutes les pièces sont présentes. Comparez les pièces avec la liste du contenu de l'emballage et la liste de la quincaillerie. En cas de pièces manquantes ou endommagées, ne tentez pas d'assembler le produit.

**Temps d'assemblage approximatif : de 30 à 60 minutes.**

Outils nécessaires pour l'assemblage (non inclus) : tournevis cruciforme, tournevis à tête plate, pinces à dénuder, ruban isolant, escabeau, lunettes de sécurité.

### INSTRUCTIONS POUR L'ASSEMBLAGE

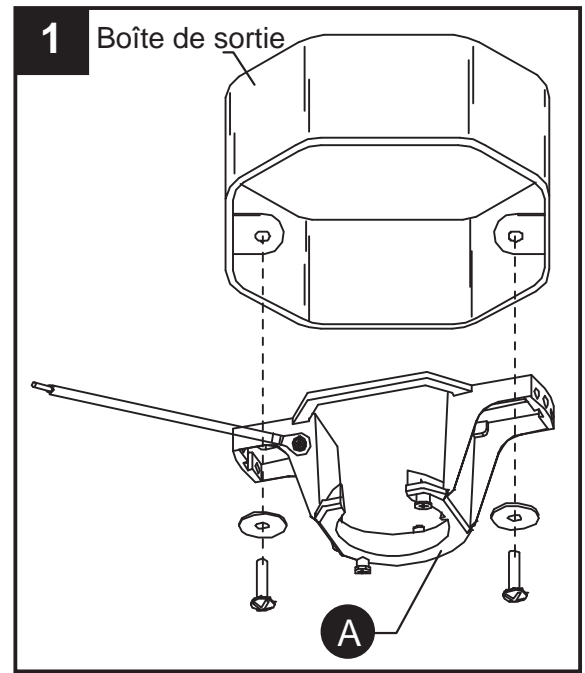
- **AVERTISSEMENT** – Pour réduire le risque d'incendie, de choc électrique ou de blessures corporelles, installez le ventilateur sur une boîte de sortie marquée "Convient pour supporter un ventilateur de 15,9 kg (35 lb) maximum" et utilisez les vis de montage fournies avec la boîte de sortie et/ou fixez directement sur la structure du bâtiment. La plupart des boîtes de sortie utilisées couramment comme support de luminaires ne conviennent pas au support d'un ventilateur et devront être remplacées. Consultez un électricien qualifié de cas de doute.
- Avertissement - Risque d'incendie, de choc électrique ou de blessures corporelles. Les ventilateurs de plafond peuvent être fixés directement sur un élément porteur de la structure du bâtiment (voir exemples sur les figures A et B) et/ou être montés sur une boîte de sortie marquée "Convient pour supporter un ventilateur de 15,9 kg (35 lb) à 31,8 kg (70 lb)" (voir exemple sur la figure C).



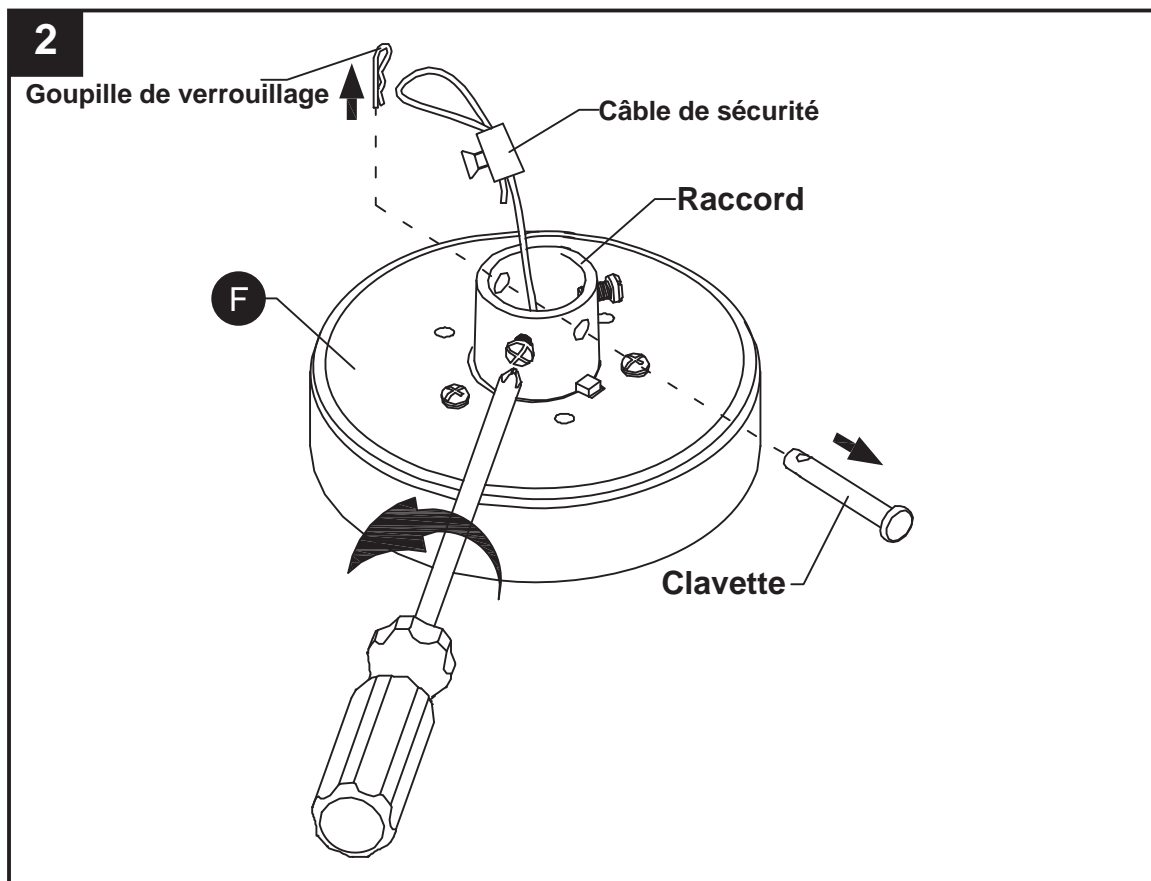
## INSTRUCTIONS POUR L'ASSEMBLAGE

1. Fixez le support de suspension (A) à la boîte de sortie du plafond à l'aide des vis et des rondelles fournies avec le support de suspension.

Important : Si vous fixez le ventilateur sur un plafond incliné, assurez-vous que l'extrémité ouverte du support de fixation est installée face au toit. Ne pas installer de ventilateur sur un plafond incliné à plus de 20°.

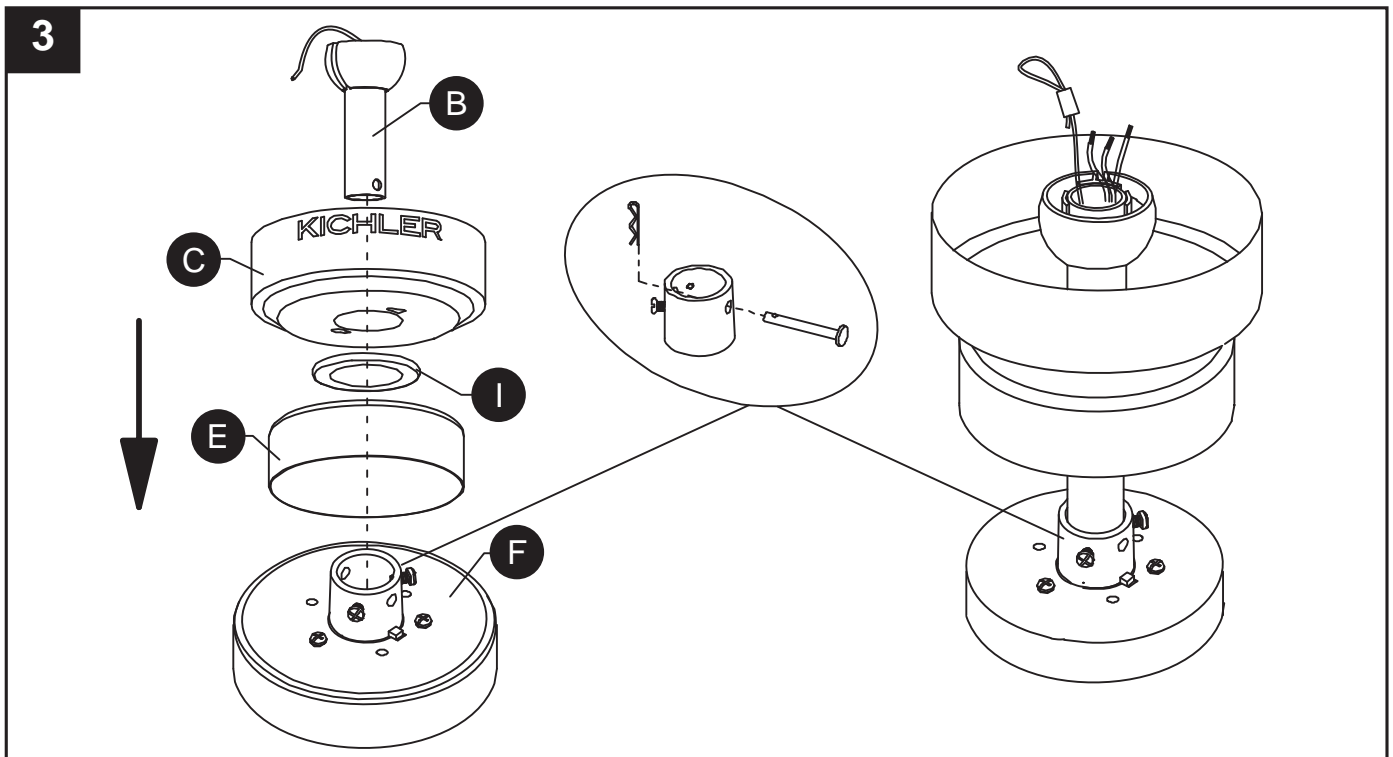


2. Desserrez les vis de réglage situées sur le raccord au-dessus de l'ensemble moteur (F). Puis retirez la goupille de verrouillage et la clavette qui seront utilisées dans une étape ultérieure.

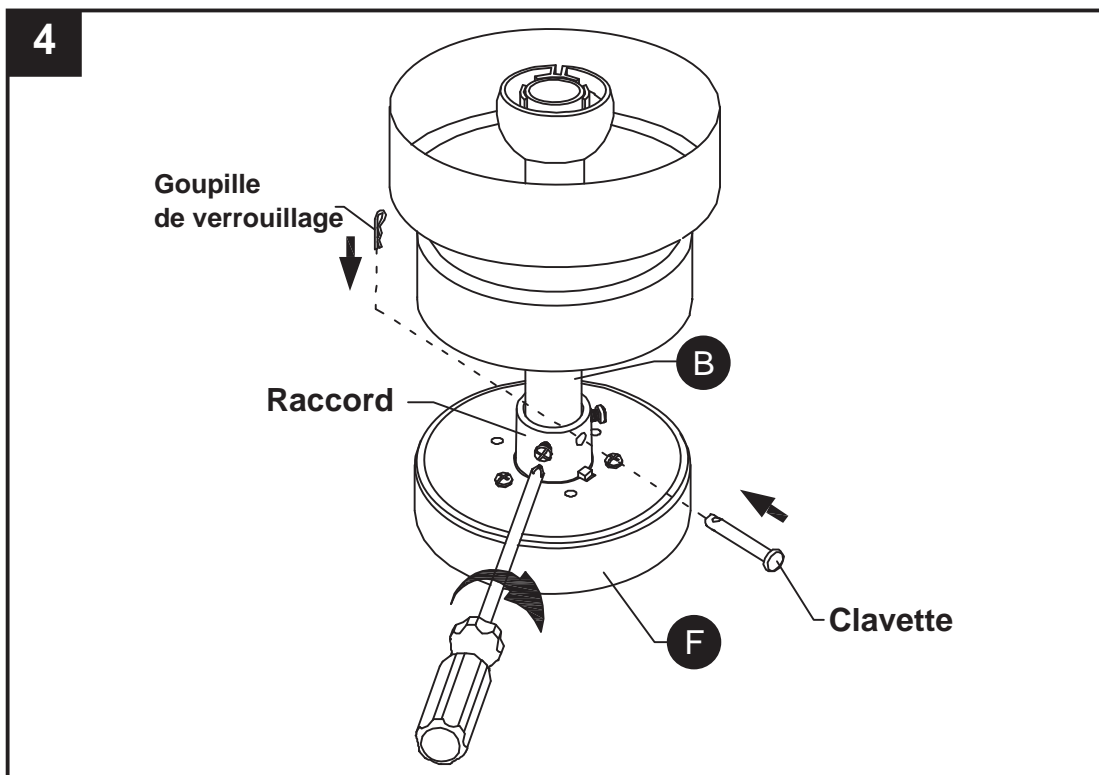


## INSTRUCTIONS POUR L'ASSEMBLAGE

3. Insérez la tige de suspension (B) à travers le pavillon (C) cache-trou du pavillon (I) et le cache raccord du moteur (E). Enfilez les câbles de l'ensemble moteur (F) dans la tige de suspension (B), puis insérez la tige (B) dans le raccord situé au sommet de l'ensemble moteur (F).

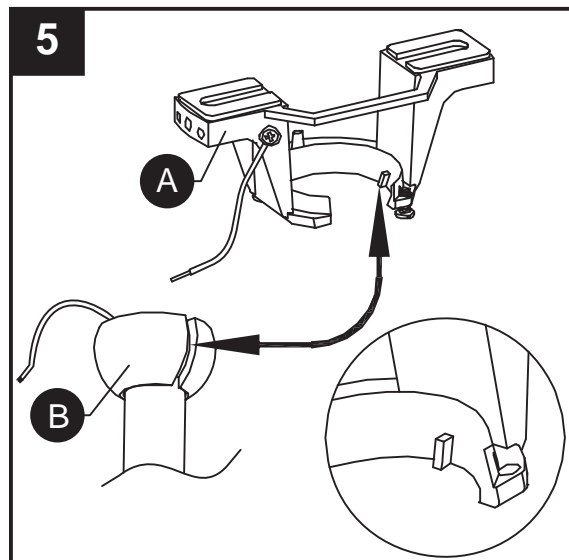


4. Faites passer la clavette à travers la tige (B) et le raccord situé sur l'ensemble moteur (F) et fixez à l'aide de la goupille de verrouillage. Serrez les vis de réglage situées sur l'ensemble moteur (F).

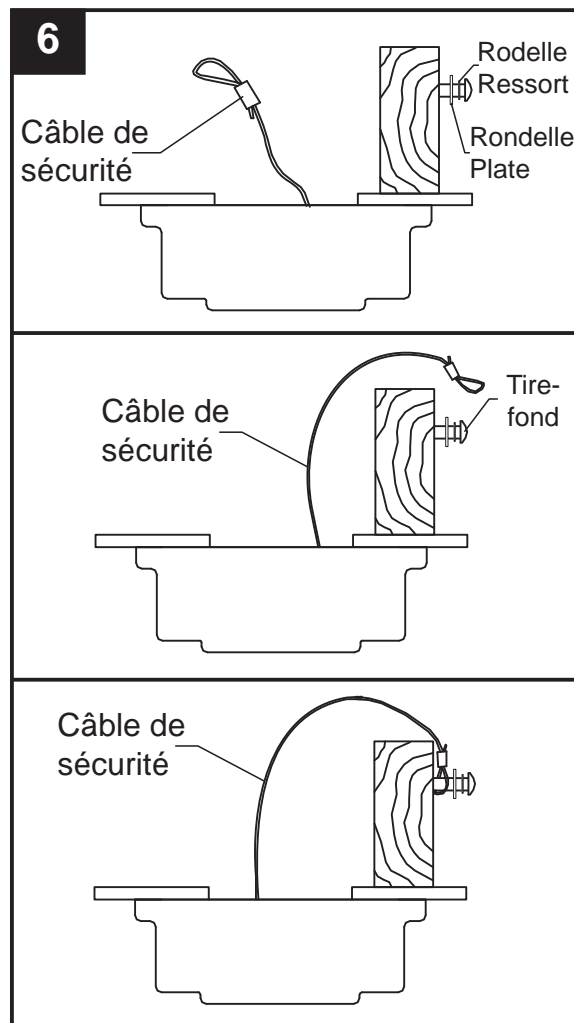


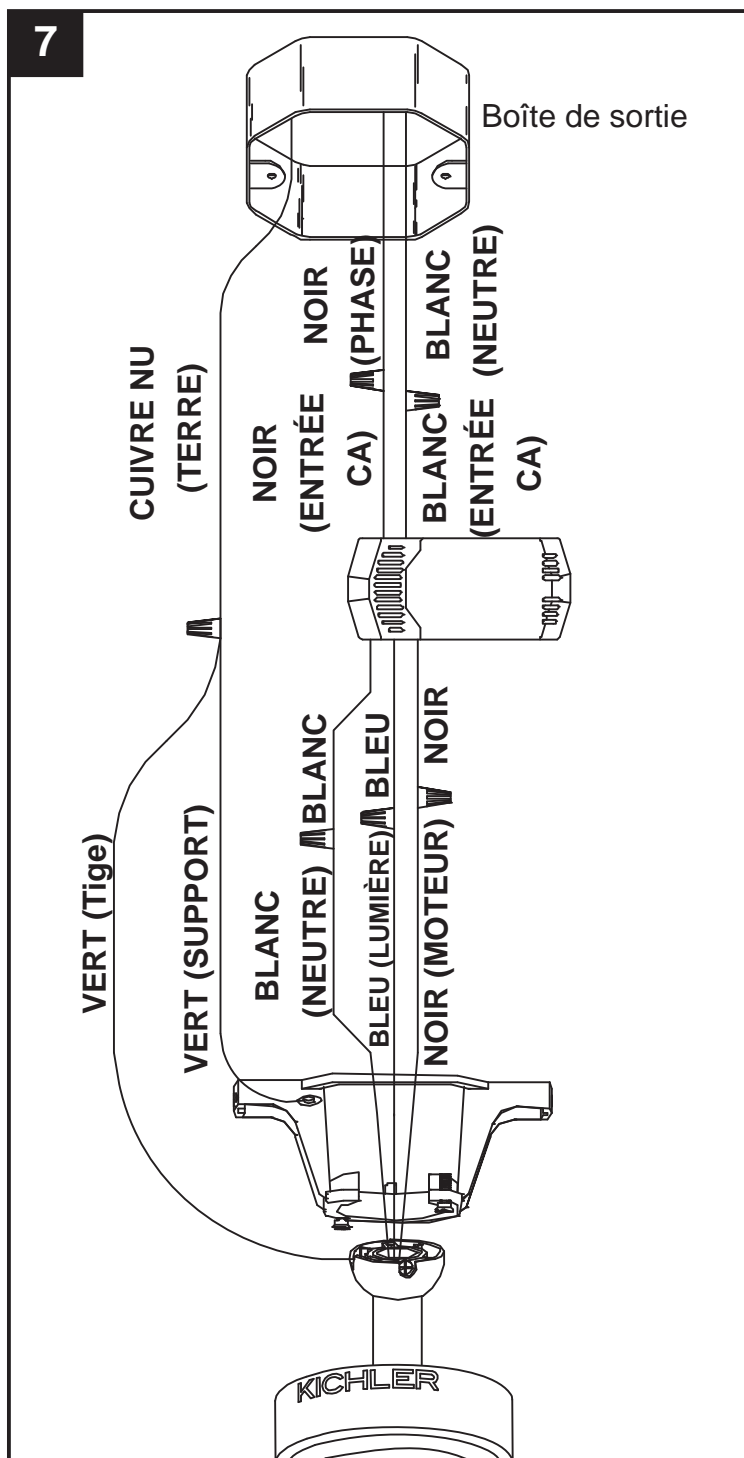
## INSTRUCTIONS POUR L'ASSEMBLAGE

5. Soulevez le ventilateur avec précaution et placez l'ensemble tige (B)/boule de suspension sur le support de suspension (A). Prenez soin d'aligner la rainure de la boule avec la languette du support de suspension (A).



6. Pour une installation au Canada et pour les ventilateurs de plus de 15,8 kg (35 lbs) aux É.-U., le câble de sécurité doit être fixé à une poutre porteuse de la maison à l'aide d'un tire-fond de 76 mm (3 po). Assurez-vous que lorsque le câble de sécurité est entièrement déplié, les fils de connexion sont plus longs que lui et ne subissent aucune contrainte.





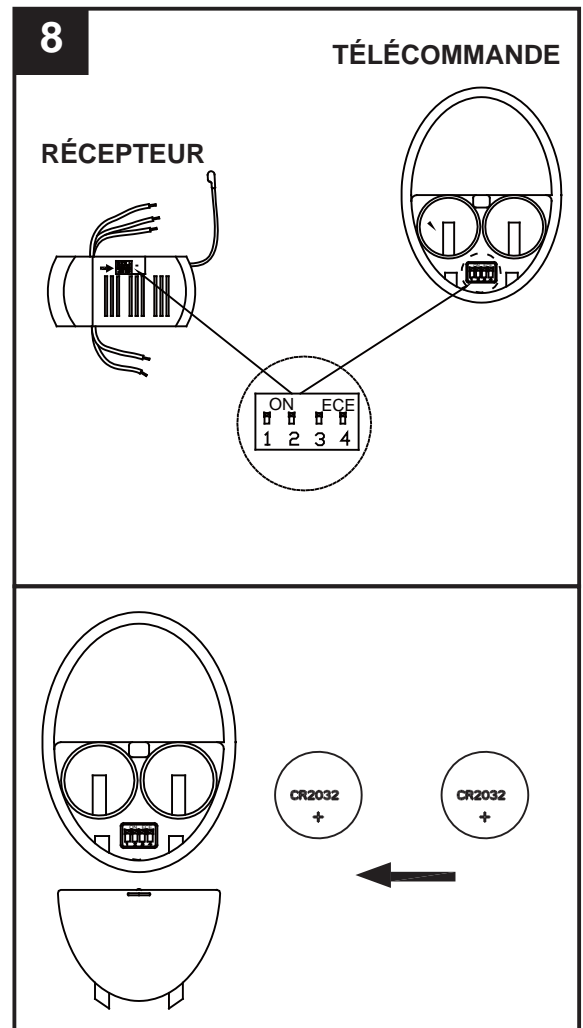
7. Réalisez le câblage du ventilateur conformément au schéma de câblage et connectez fermement les fils à l'aide des connecteurs de fils : Enroulez du ruban isolant (non fourni) autour de chaque connecteur de fils et assurez-vous qu'aucun fil nu ou toron n'est visible une fois la connexion réalisée.
- Connectez le fil BLANC du ventilateur au fil BLANC marqué TO MOTOR N du récepteur.
  - Connectez le fil BLEU du ventilateur au fil BLEU du récepteur.
  - Connectez le fil NOIR du ventilateur au fil noir marqué TO MOTOR L du récepteur.
  - Connectez le fil NOIR de la boîte de sortie au fil NOIR marqué AC IN L du récepteur.
  - Connectez le fil BLANC de la boîte de sortie de fil BLANC marqué AC IN N du récepteur.
  - Connectez les fils de TERRE (VERT) du support de suspension et de la boule de la tige, à la TERRE (VERT ou CUIVRE NU) de la maison.



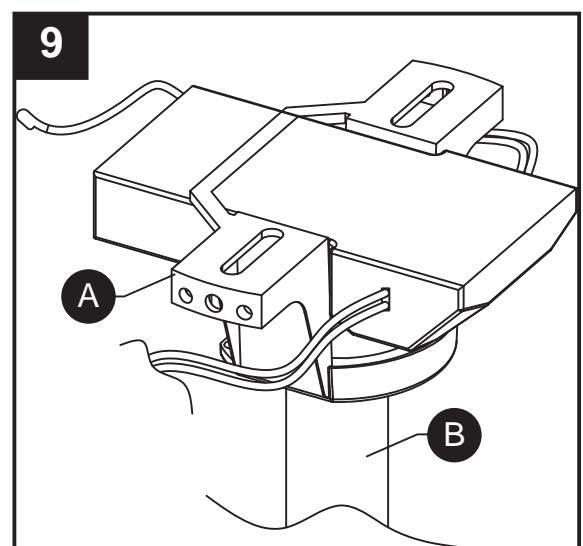
8. Installer les piles (CR2032 3 volts) dans la télécommande. Assurez-vous que les piles sont correctement insérées dans chaque logement avec le signe + vers le haut, puis remplacer couvercle de la batterie. Testez la télécommande en appuyant sur n'importe quel bouton. Une lumière bleue devrait s'allumer. Si aucune lumière bleue n'apparaît, vérifiez que les piles sont correctement insérées.

Ce système de télécommande de ventilateur est équipé de 16 combinaisons de code pour prévenir une éventuelle interférence avec d'autres appareils télécommandés. Les interrupteurs de sélection de fréquence de votre récepteur et votre émetteur ont été pré-réglés en usine. Retirez le couvercle du compartiment à piles de l'émetteur et vérifiez que les interrupteurs se trouvent dans la même position. Cela est indispensable pour que votre ventilateur communique correctement. Si vous utilisez plus d'un ventilateur dans la même zone et souhaitez les contrôler séparément, réglez les positions des interrupteurs DIP dans l'émetteur et le récepteur en suivant des motifs différents pour chaque ventilateur.

**REMARQUE :** En cas de non-utilisation prolongée, retirez la pile pour éviter d'endommager l'émetteur. Rangez la télécommande à l'abri de la chaleur excessive ou de l'humidité.

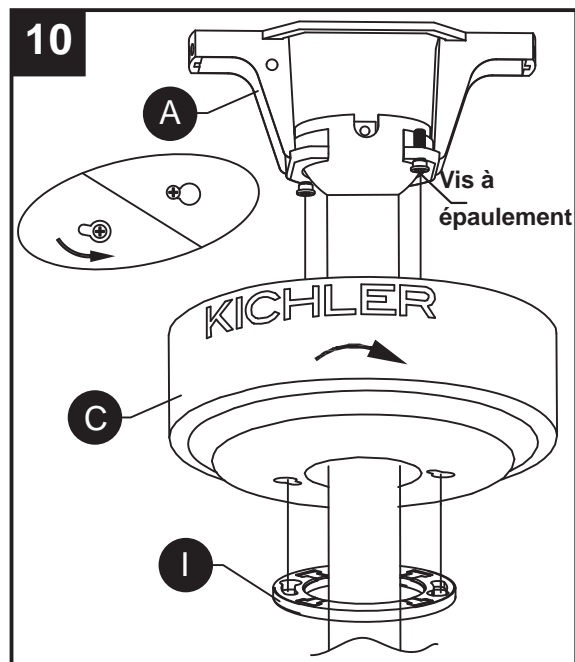


9. Une fois le câblage réalisé, insérez le récepteur distant câblé entre le support de suspension (A) et le sommet de la boule de suspension (B) en plaçant la partie plate du récepteur face au plafond. Tournez les fils vers le haut et poussez-les délicatement dans la boîte de sortie, en plaçant les fils blanc et vert d'un côté de la boîte et le fil noir de l'autre côté.



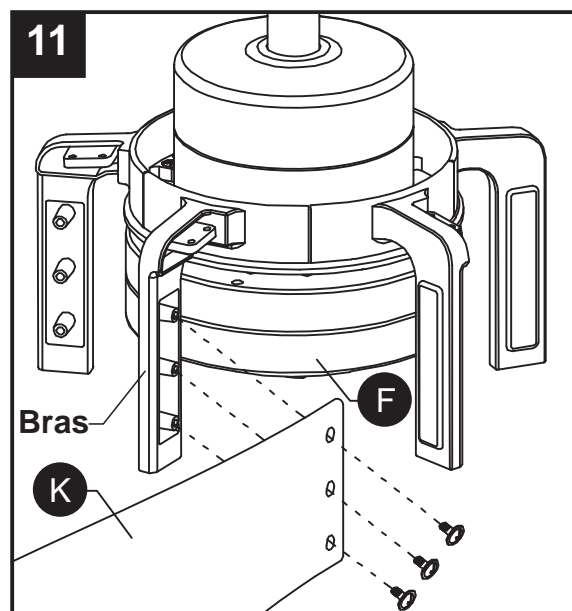
## INSTRUCTIONS POUR L'ASSEMBLAGE

10. Desserrez les deux vis à épaulement sans totalement retirer le support de suspension (A). Assemblez le pavillon (C) en faisant tourner les fentes en trou de serrure du pavillon sur les vis à épaulement du support de suspension (A). Serrez les vis à épaulement. Fixez fermement le cache-trou du pavillon (I) en le verrouillant par rotation de ses fentes en trou de serrure sur les vis à épaulement du support de suspension (A).



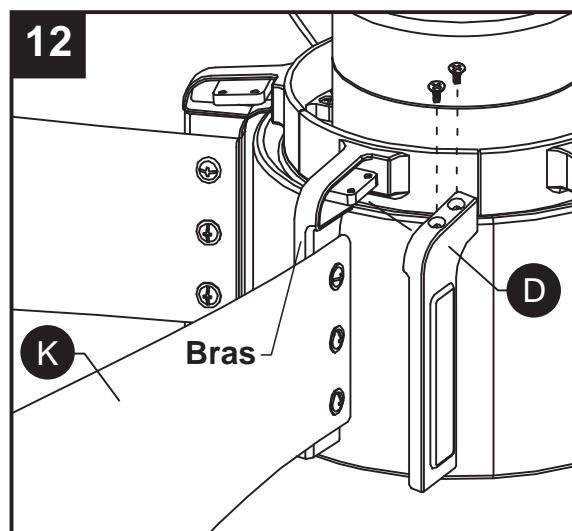
11. Attachez la pale (K) au bras situé sur l'ensemble moteur (F) à l'aide des vis pour pales. Ne serrez pas les vis de pale avant que chaque vis ne soit en place. Puis, serrez chaque vis en commençant par la vis centrale.

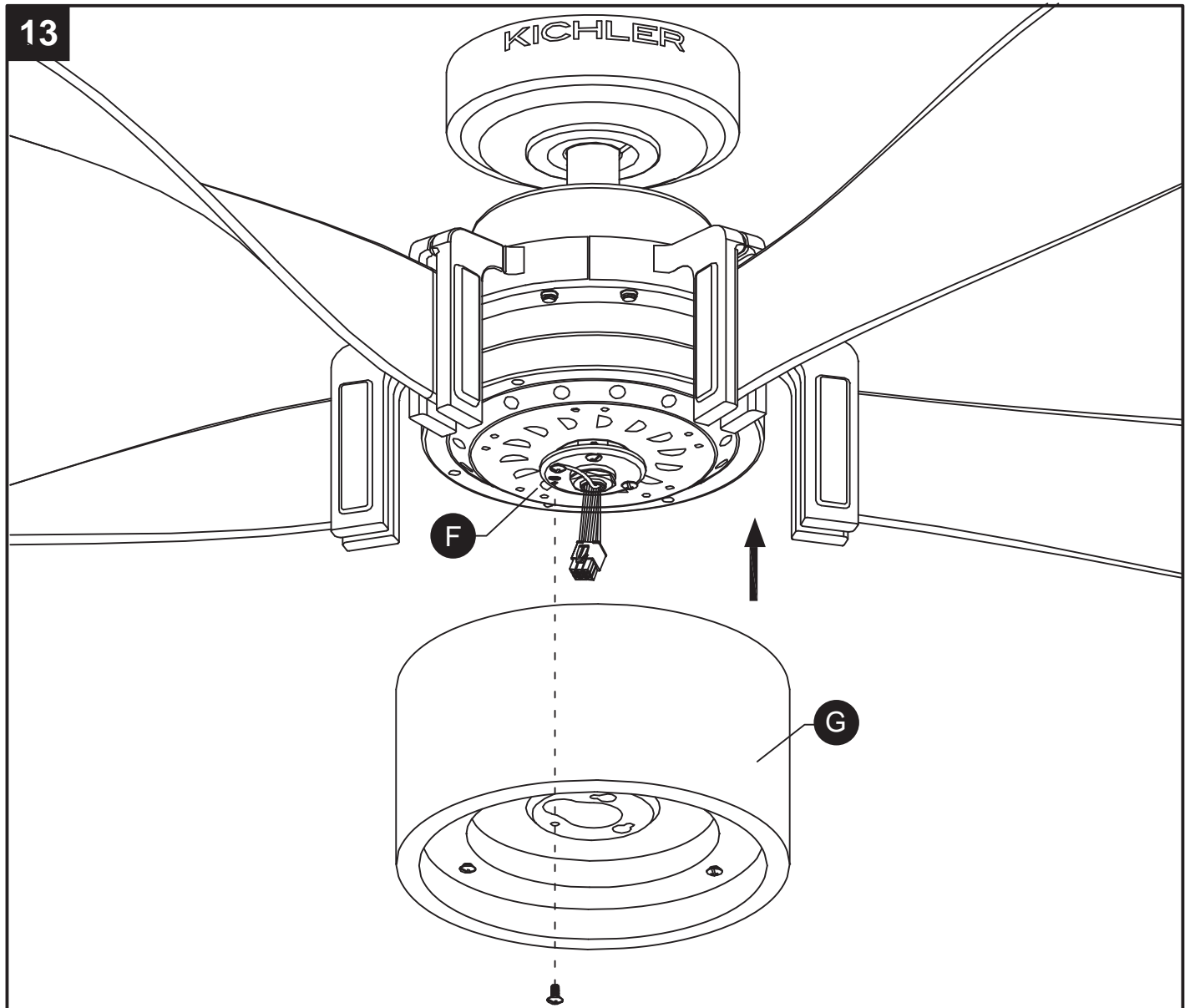
Répétez l'opération pour les pales restantes.



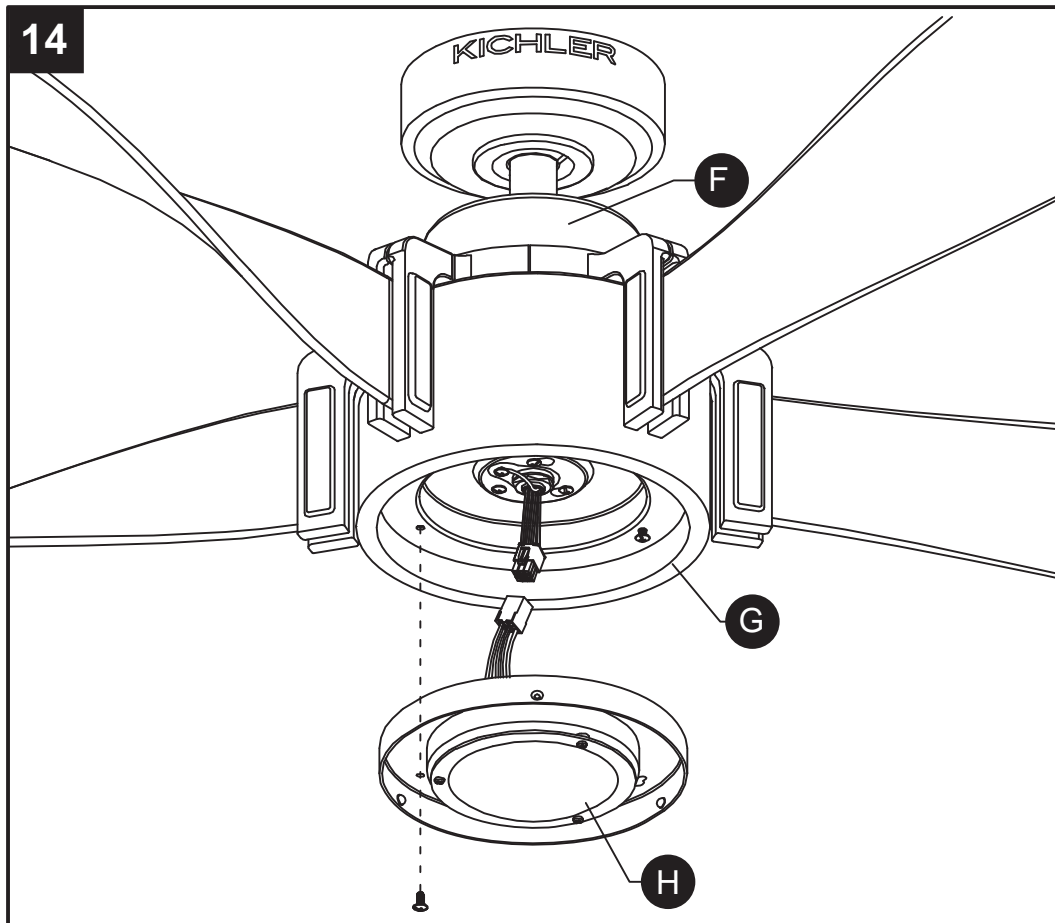
12. Placez la fixation de pale (D) sur la pale (K) et fixez-la aux bras à l'aide des vis pour fixations de pales.

Répétez l'opération pour les fixations de pale restantes.

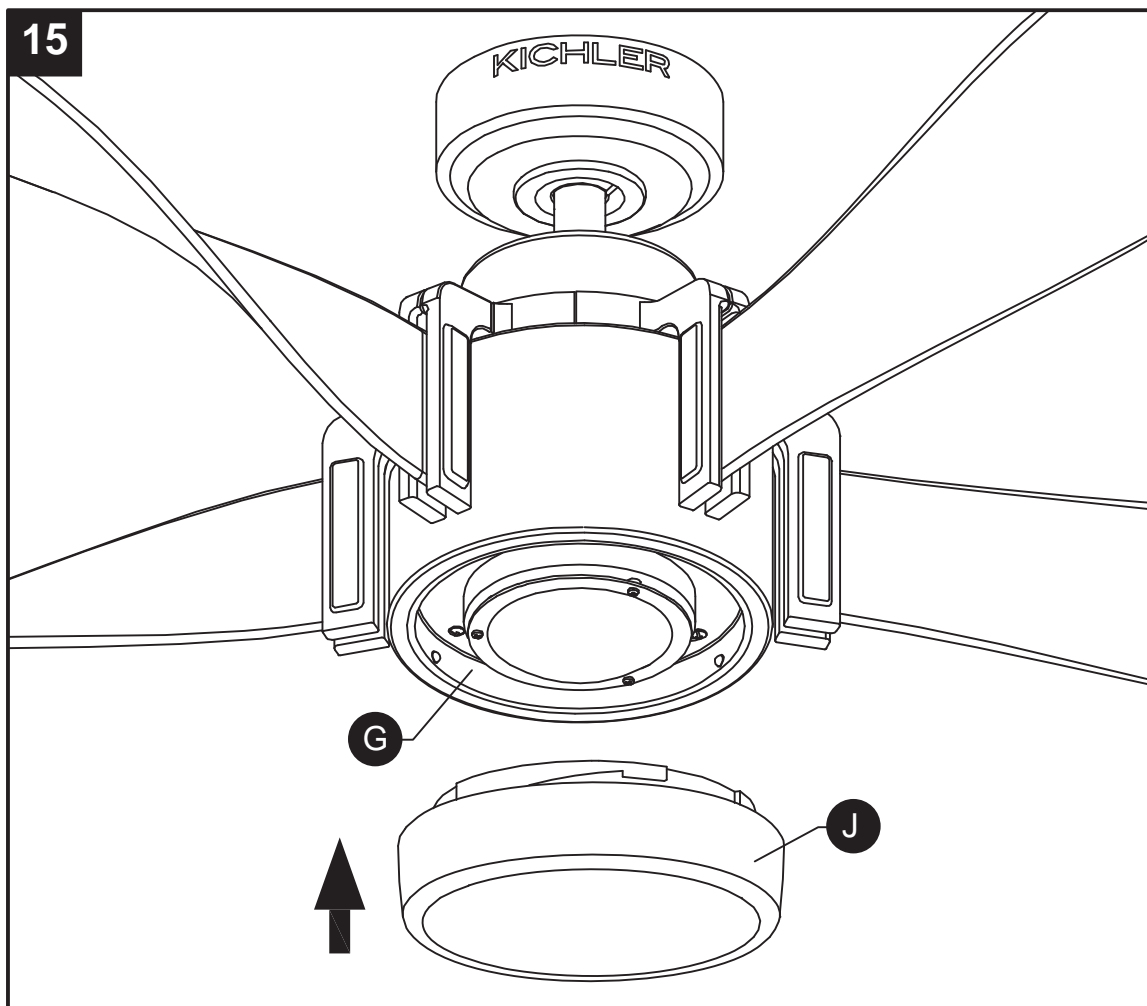




13. Retirez de l'ensemble moteur (F) la vis de montage marquée d'un point rouge et desserrez les deux autres sans les retirer. Faites passer les fils de l'ensemble moteur (F) à travers le trou central du boîtier DEL (G). Positionnez les fentes en forme de trou de serrure autour des vis et tournez dans le sens horaire. Insérez la vis que vous avez retirée auparavant. Serrez toutes les vis.



14. Connectez les fils de l'ensemble moteur (F) au kit DEL (H). Retirez 1 des 3 vis du boîtier DEL (G) et desserrez les deux autres. Positionnez les fentes en forme de trou de serrure autour des vis et tournez dans le sens horaire. Insérez la vis que vous avez retirée auparavant. Serrez toutes les vis.



15. Vissez l'abat-jour (J) sur le boîtier DEL (G).

## MODE D'EMPLOI

### Boutons de réglage de la vitesse :

Vitesse lente ●  
Vitesse moyenne ●●  
Vitesse rapide ●●●

### Boutons d'éclairage :

Ces deux boutons allument et éteignent la lumière et servent également à régler l'intensité lumineuse.

### Bouton marche/arrêt :

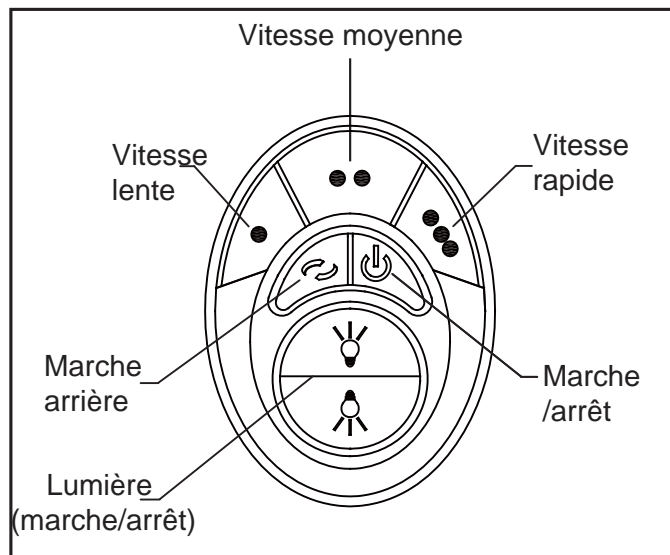
Ce bouton allume et éteint le moteur du ventilateur et sert également dans la procédure de programmation.

### Bouton directionnel :

Ce bouton contrôle le sens de rotation du ventilateur, en marche avant ou en marche arrière.

- Par temps chaud, le ventilateur tournera dans le sens anti-horaire et créera un courant d'air descendant, qui rafraîchira la pièce.
- Par temps frais, le ventilateur tournera dans le sens horaire et créera un courant d'air ascendant qui brassera l'air chaud stagnant près du plafond pour le répartir dans la pièce.

## TÉLÉCOMMANDE

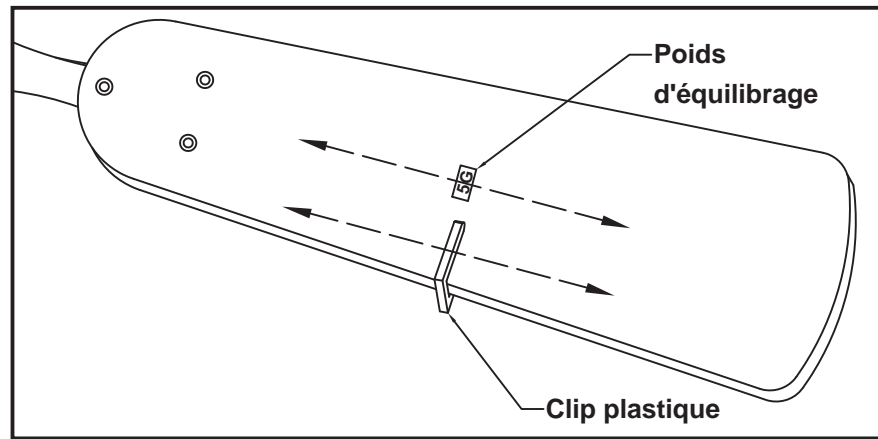


## ÉTAPES POUR ÉQUILIBRER LE VENTILATEUR DE PLAFOND

- Serrez les vis sur le support de fixation, la boîte de sortie, la tige, entre les pales du ventilateur et les supports de pales, et entre les supports de pales et le logement du moteur.
- Mesurez la distance entre l'extrémité de chaque pale et le plafond. Toutes les pales doivent se trouver à la même distance par rapport au plafond. Ajustez tout support de pale penché en appuyant légèrement sur les supports ou en les remontant doucement, jusqu'à ce que les pales soient toutes à égale distance du plafond.  
Si l'oscillation persiste, vous aurez peut-être besoin d'un kit d'équilibrage de pales pour stabiliser le ventilateur de plafond. Un kit d'équilibrage de pales consiste en un clip en plastique et 2 poids d'équilibrage.

Déterminez la pale qui a besoin d'être équilibrée par essais et erreurs.

1. Placez un morceau de ruban de masquage numéroté sur chaque pale pour les repérer facilement.
2. Une pale après l'autre, attachez l'attache rainurée en plastique au centre du bord de la pale et mettez le ventilateur en marche. Observez quelle pale porte le clip lorsque le ventilateur oscille le moins.
3. Placez le clip plastique sur le bord de la pale, à mi-chemin entre le support de pale et l'extrémité de la pale. Mettez le ventilateur en marche et voyez s'il y a une amélioration.
4. Si vous ne voyez aucune amélioration, arrêtez à nouveau le ventilateur. Faites glisser le clip le long de la pale pour localiser la source de l'instabilité.
5. Une fois que vous aurez trouvé la pale fautive, placez un poids d'équilibrage sur sa ligne médiane. Le poids doit être parallèle au clip.



### AVERTISSEMENT DE LA FCC

---

Cet appareil est conforme au chapitre 15 des règlements de la FCC. La mise en œuvre est soumise aux deux conditions suivantes : (1) cet appareil ne provoque pas de brouillage nuisible, et (2) cet appareil doit accepter toute interférence reçue, notamment l'interférence qui pourrait provoquer un fonctionnement indésirable.

Tous changements ou modifications non expressément approuvés par l'autorité responsable de l'homologation annuleraient l'autorisation d'utiliser l'équipement accordée à l'utilisateur.

**REMARQUE :** Cet équipement a été testé et jugé conforme aux limites admises pour un dispositif numérique de classe B, relevant du chapitre 15 du règlement de la FCC. Ces limites sont destinées à fournir une protection raisonnable contre les interférences nocives dans le cadre d'une installation domestique. Cet équipement génère, utilise et peut irradier des ondes de radiofréquence et, s'il n'est pas installé et utilisé conformément aux instructions, peut produire des interférences nocives pour les radiocommunications. Cependant, il est impossible de garantir l'absence d'interférence dans une installation particulière. Si cet équipement produit des interférences gênantes pour la réception radio ou télévisée, ce qui peut être déterminé en allumant et en éteignant l'appareil, l'utilisateur est encouragé à corriger l'interférence en prenant une ou plusieurs des mesures suivantes.

Réorientez ou déplacez l'antenne de réception, augmentez la distance entre l'équipement et le récepteur, et raccordez l'appareil à une sortie située sur un circuit différent de celui sur lequel le ventilateur est connecté.

### ENTRETIEN

---

Au moins deux fois par an, resserrez toutes les vis et abaissez le pavillon pour contrôler les vis du support de fixation et l'assemblage de la tige. Nettoyez le corps du ventilateur uniquement à l'aide d'une brosse douce ou d'un chiffon non pelucheux pour éviter d'érafler le fini. Nettoyez les pales à l'aide d'un chiffon non pelucheux. Coupez l'alimentation électrique principale avant toute opération d'entretien. N'utilisez ni eau ni chiffon mouillé pour nettoyer le ventilateur.

## **GARANTIE**

---

Kichler offre à l'acheteur original d'un ventilateur de plafond Kichler la garantie limitée à vie ci-après : Si le moteur ou les pièces du moteur d'un ventilateur sont défectueux en raison de ce que Kichler, à sa seule discrétion, juge un vice de fabrication ou un défaut matériel, Kichler réparera ou remplacera gratuitement, selon son choix, l'élément défectueux.

À part les exceptions indiquées ci-dessous, pendant un (1) an à compter de la date d'achat, si toute pièce autre que le moteur et les pièces du moteur, y compris mais sans s'y limiter, les pales, les kits d'éclairage, les tiges, les interrupteurs, les boîtiers ou le fini sont défectueux en raison de ce que Kichler, à sa seule discrétion, juge un vice de fabrication ou un défaut matériel, Kichler réparera ou remplacera gratuitement, selon son choix, l'élément défectueux.

Pour remplacer un produit porteur d'un défaut couvert par la garantie, l'acheteur initial doit retourner tout produit ou pièce supposés défectueux au distributeur Kichler agréé où le produit a été acheté avec une PREUVE D'ACHAT, le nom de l'acheteur initial, l'adresse de retour et une description du défaut constaté sur le produit.

Si Kichler juge, à sa seule discrétion, qu'un des produits garantis est défectueux, ledit produit, au seul choix de Kichler et à ses frais, sera remplacé, réparé ou remboursé moins une retenue correspondant à l'utilisation antérieure du produit par l'acheteur original. Kichler retournera le produit réparé ou remplacé en port prépayé. Cette garantie ne couvre pas la main d'œuvre ni les coûts et dépenses associés au retrait ou à l'installation d'un produit défectueux, réparé ou remplacé.

Les parties aux présentes acceptent que le seul et unique recours de l'acheteur initial à l'encontre de Kichler se limite à la réparation, au remplacement ou au remboursement des produits défectueux tel qu'ici prévu. Cette garantie s'applique uniquement lorsque le produit est la propriété de l'acheteur initial ; elle n'est pas transférable aux héritiers, aux propriétaires subséquents ou de toute autre manière ; elle est nulle si l'acheteur original cesse d'être le propriétaire du produit.

Cette garantie ne s'applique pas aux produits qui ont été soumis à un usage abusif, une manipulation inadéquate, un usage impropre, qui ont été connectés à un voltage de plus de 5 % supérieur au voltage nord américain, qui ont subi un usage inhabituel (y compris mais sans s'y limiter un usage dans un environnement où la température ambiante moyenne annuelle est inférieure à 27 °F [-2,8 °C] ou supérieure à 95 °F [35 °C]), la négligence (y compris mais sans s'y limiter un mauvais entretien), un accident, des catastrophes naturelles telles que des vents violents, une installation ou un entretien inappropriés, le non suivi des instructions écrites d'utilisation normale et d'entretien du produit, une modification (y compris mais sans s'y limiter l'utilisation de pièces ou d'accessoires non autorisés), ou encore un réglage ou une réparation. L'exposition significative du produit à des produits chimiques, des nettoyeurs agressifs, l'eau salée ou l'air salé annulera toutes garanties portant sur les finis extérieurs. Cette garantie ne s'applique qu'aux composants, y compris les transformateurs, qui ont été fournis par Kichler. La substitution par des produits ou composants provenant d'un autre fabricant rendra la garantie complètement nulle.

**CETTE GARANTIE VOUS PROCURE DES DROITS LÉGAUX SPÉCIFIQUES. VOUS POUVEZ ÉGALEMENT DÉTENIR D'AUTRES DROITS QUI VARIENT SELON LES ÉTATS. CERTAINS ÉTATS N'AUTORISENT AUCUNE LIMITATION DE DURÉE D'UNE GARANTIE IMPLICITE, NI L'EXCLUSION OU LA LIMITATION DES DOMMAGES ACCESSOIRES OU CONSÉCUTIFS, IL EST DONC POSSIBLE QUE LES LIMITATIONS ET EXCLUSIONS ÉNONCÉES CI-DESSUS NE S'APPLIQUENT PAS À VOUS.**

LA GARANTIE SUSMENTIONNÉE PRÉVAUT SUR TOUTE AUTRE GARANTIE, QU'ELLE SOIT EXPRESSE OU IMPLICITE, Y COMPRIS TOUTE GARANTIE DE QUALITÉ MARCHANDE, D'ADÉQUATION À UN USAGE PARTICULIER OU DE NON-CONTREFAÇON. L'ACHETEUR INITIAL NE PEUT EN AUCUN CAS PRÉTENDRE À INDEMNISATION POUR, ET KICHLER LIGHTING NE PEUT ÊTRE TENU RESPONSABLE DES DOMMAGES INDIRECTS, PARTICULIERS, ACCESSOIRES OU CONSÉCUTIFS DE TOUTE NATURE, Y COMPRIS MAIS SANS S'Y LIMITER LA PERTE DE PROFIT, LES DÉPENSES PROMOTIONNELLES ET/OU LES CHARGES DE FABRICATION, LES FRAIS GÉNÉRAUX, L'ATTEINTE À LA RÉPUTATION ET/OU LA PERTE DE CLIENTÈLE.



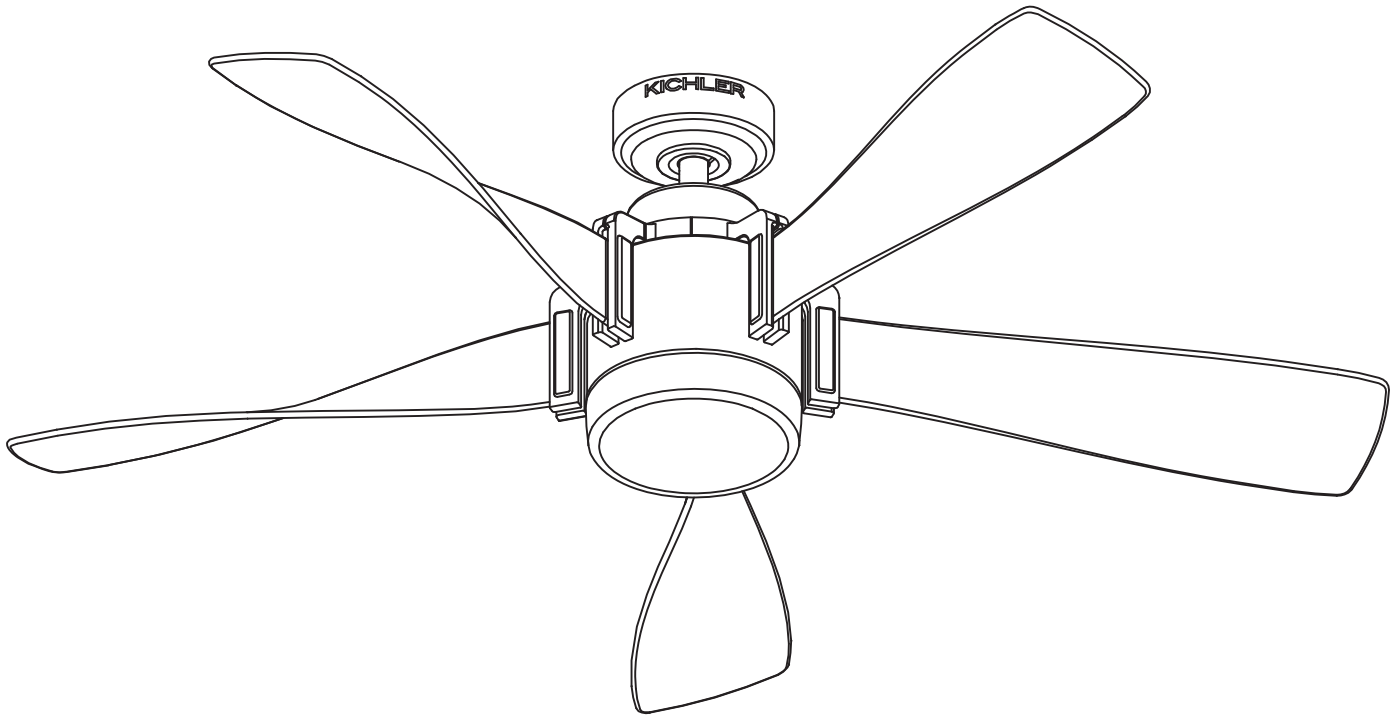
# KICHLER®

Kichler® es una marca registrada de The L.D. Kichler Co. Todos los derechos reservados.

ARTÍCULO #0747612

## VENTILADOR DE TECHO LED

MODELO #35153

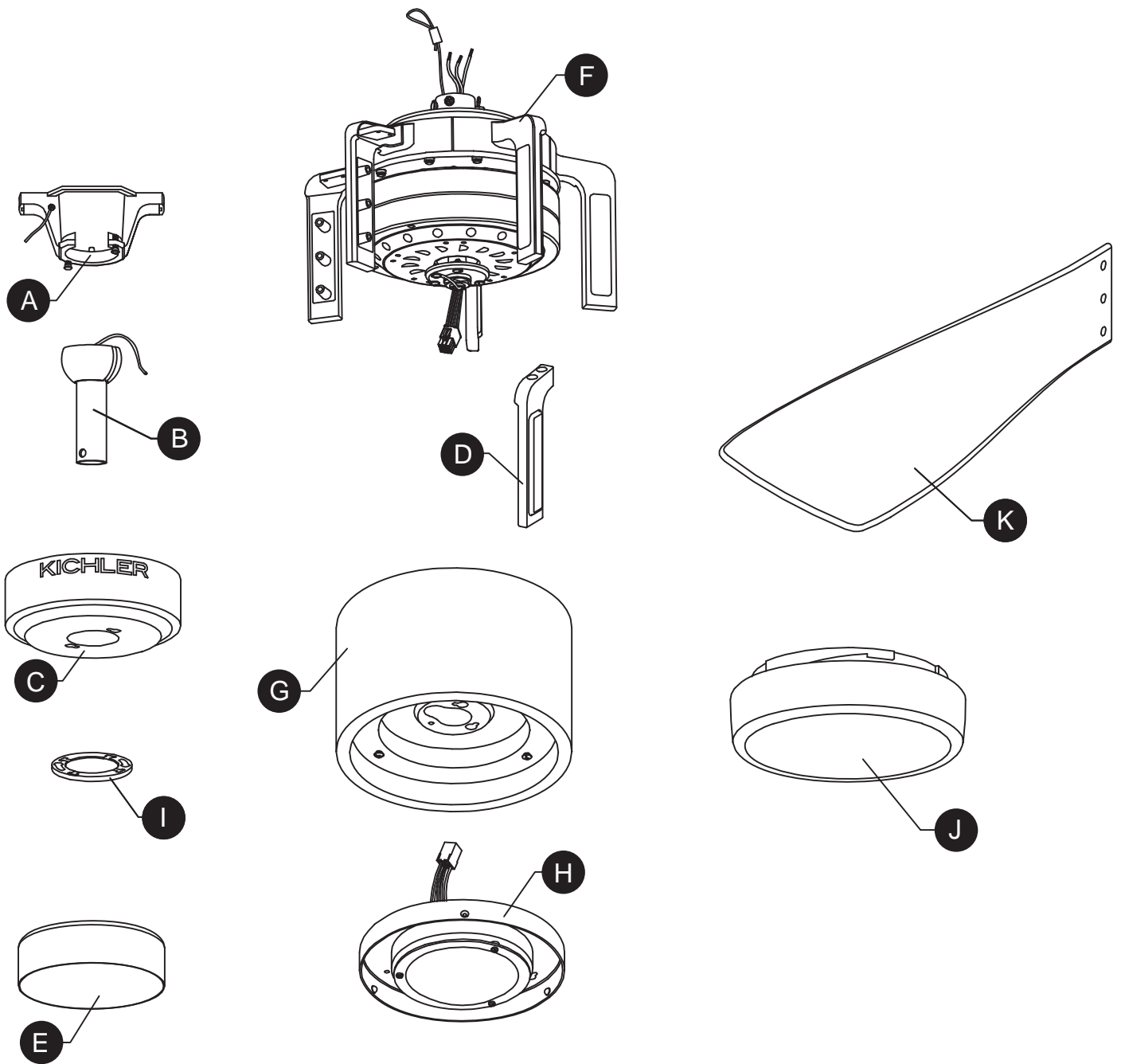


ADJUNTE SU RECIBO AQUÍ

Número de serie \_\_\_\_\_ Fecha de compra \_\_\_\_\_



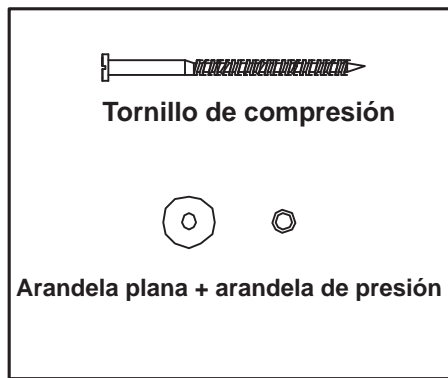
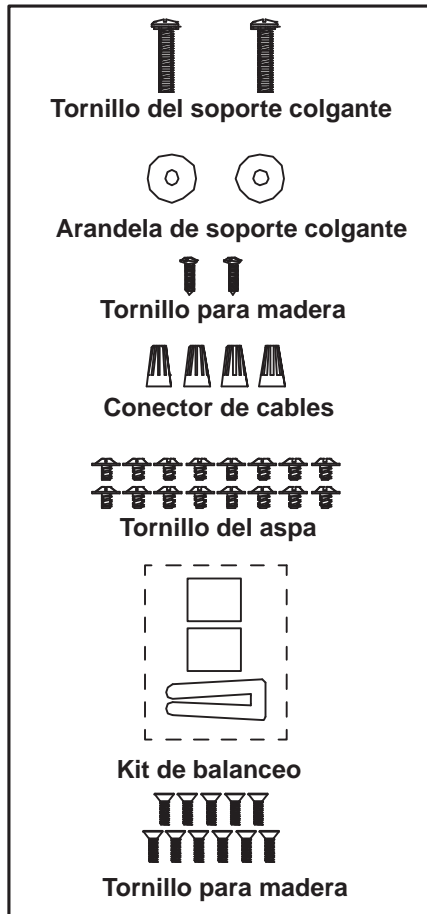
**¿Preguntas, problemas, piezas faltantes?** Antes de devolverlo a la tienda, llame a nuestro departamento de servicio al cliente al **1-800-554-6504**, de 8:00 a.m. a 4:30 p.m. hora del Este (EST), de lunes a viernes.



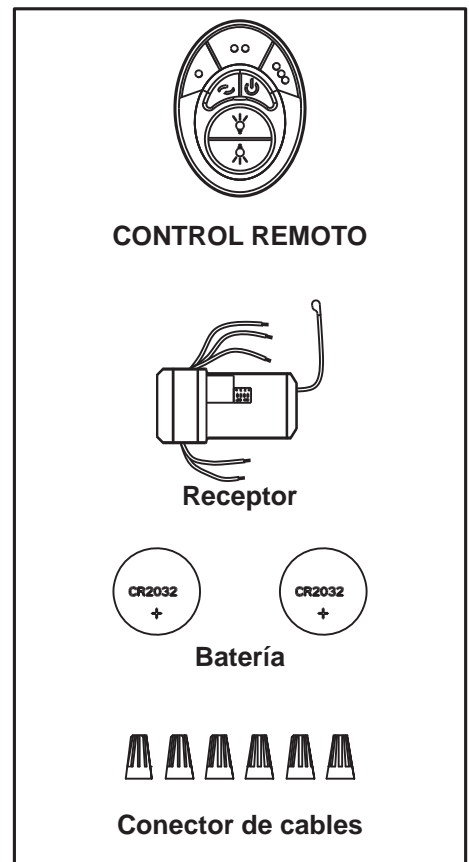
PIEZA	DESCRIPCIÓN	CANT
A	Soporte colgante	1
B	Barra colgante	1
C	Cubierta	1
D	Soporte del aspa	5
E	Cubierta del acople del motor	1
F	Motor	1

PIEZA	DESCRIPCIÓN	CANT
G	Alojamiento del LED	1
H	Kit de luces	1
I	Tapa del agujero de la cubierta	1
J	Pantalla	1
K	Aspa	5

BOLSA DE MATERIALES



REMOTE CONTROL



**! INFORMACIÓN DE SEGURIDAD**

Por favor lea y comprenda la totalidad del manual antes de intentar ensamblar, operar o instalar el producto. Si tiene alguna pregunta respecto al producto, por favor comuníquese con servicio al cliente en 1-800-554-6504, de 8:00 a.m. a 4:30 p.m. tiempo estándar del este (EST).

**ADVERTENCIA:**

- **Importante:** Al usar una caja eléctrica existente, cerciórese de que la caja esté fijada con seguridad a la estructura de la edificación, y que pueda sostener el peso total del ventilador. El no hacerlo puede resultar en lesiones graves o la muerte.
- Apague los cortacircuitos y el interruptor de la pared de los cables de alimentación eléctrica del ventilador. Advertencia: El no desconectar la alimentación eléctrica antes de la instalación puede resultar en lesiones graves o la muerte.
- Advertencia: conectar este ventilador a un interruptor de luz (encendido/apagado) puede ocasionar daños al receptor. Este ventilador debe ser cableado para recibir corriente constantemente. El no hacerlo reducirá la vida útil del ventilador de manera significativa.
- No instale el ventilador en un cielo raso que tenga una inclinación de más de 20°.
- **ADVERTENCIA:** para reducir el riesgo de incendio, electrocución o lesiones personales, móntelo en una caja eléctrica marcada como "aceptable para sostener un ventilador de 15.9 k (35 lb) o menos" y utilice los tornillos para el montaje suministrados con la caja eléctrica, y/o apóyelo directamente de la estructura de la edificación. La mayoría de cajas eléctricas utilizadas comúnmente para colgar lámparas no son aceptables para sostener un ventilador y puede ser necesario tener que remplazarlas. Si tiene dudas, consulte a un electricista calificado.
- **Importante:** Cerciórese de que la caja de cableado esté adecuadamente conectada a tierra, o que el cable a tierra (verde) esté presente.
- Asegúrese de que el sitio para la instalación que elija permita un mínimo de 2.13 m (7 pies) desde el piso hasta los extremos de las aspas.
- Para reducir el riesgo de incendios o descargas eléctricas, no use este ventilador con dispositivos de velocidad para ventiladores de estado sólido ni con un control de velocidad variable.

## ADVERTENCIA (continuación)

- No toque el LED caliente
- El haz de luz LED es lo suficientemente fuerte para lesionar los ojos humanos. Se deben tomar precauciones para evitar mirar directamente los LED con los ojos sin protección por más de unos pocos segundos.

### PRECAUCIÓN:

- Lea y comprenda por completo todas las instrucciones e ilustraciones antes de proceder con el ensamblaje e instalación de esta lámpara.
- Si tiene alguna duda sobre cómo instalar esta lámpara, o si la lámpara no funciona completamente, por favor contacte a un contratista eléctrico calificado y autorizado.
- Se deben utilizar todas las partes como se indica en estas instrucciones. No sustituya ninguna parte, no omita ninguna parte ni utilice partes que estén desgastadas o dañadas. El no obedecer esta instrucción podría invalidar la homologación UL, la certificación C.S.A. y/o la homologación ETL de esta lámpara.
- Esta lámpara está destinada para su instalación de acuerdo con el Código Nacional Eléctrico (NEC) y todas las especificaciones de todos los códigos locales.
- Use ÚNICAMENTE el motor LED suministrado para dar energía a la lámpara.
- El cable del motor no está destinado para el uso a través de paredes, pisos o cielos rasos, u oculto tras los mismos.
- Esta lámpara es únicamente para uso en interiores.

### PREPARACIÓN

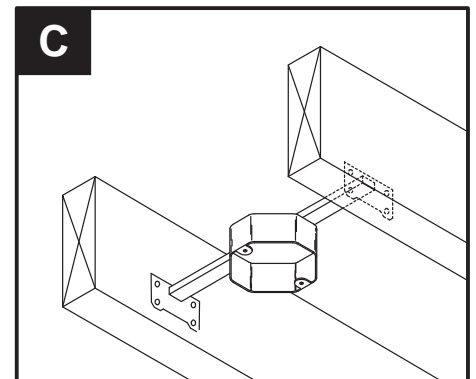
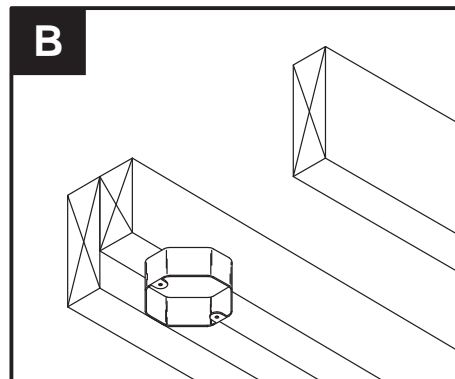
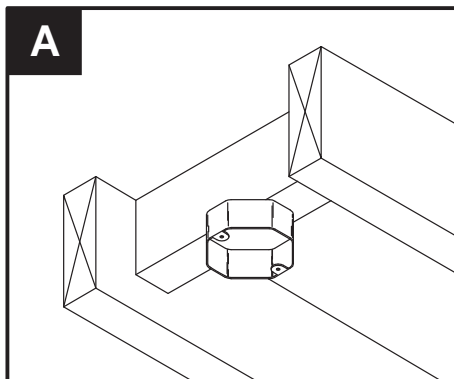
Antes de comenzar a ensamblar el producto, asegúrese de que todas las partes estén disponibles. Compare las partes con la lista de contenido del empaque y la lista de contenido de aditamentos para el ensamblaje. Si alguna pieza falta o está dañada, no intente ensamblar el producto.

**Tiempo estimado de ensamblaje: 30 minutos a 1 hora.**

Herramientas necesarias para el ensamblaje (no se incluyen): Destornillador Phillips, destornillador de cabeza plana, pinzas pelacables, cinta aislante, escalera, gafas de seguridad.

### INSTRUCCIONES DE ENSAMBLAJE

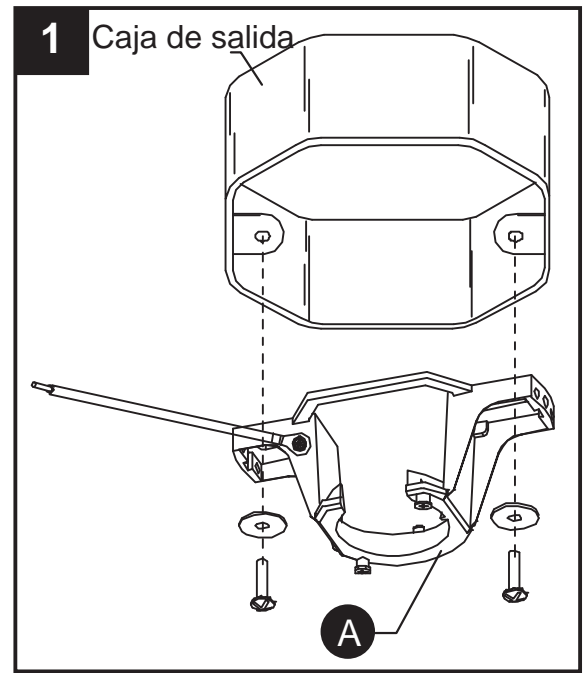
- **ADVERTENCIA:** para reducir el riesgo de incendio, electrocución o lesiones personales, móntelo en una caja eléctrica marcada como "aceptable para sostener un ventilador de 15.9 k (35 lb) o menos" y utilice los tornillos para el montaje suministrados con la caja eléctrica, y/o apóyelo directamente de la estructura de la edificación. La mayoría de cajas eléctricas utilizadas comúnmente para colgar lámparas no son aceptables para sostener un ventilador y puede ser necesario tener que remplazarlas. Si tiene dudas al respecto, consulte a un electricista calificado.
- **Advertencia:** riesgo de incendio, electrocución o lesiones personales. Los ventiladores de techo pueden colgarse directamente de un elemento del marco estructural de una edificación (ver ejemplos en las ilustraciones A y B), o pueden montarse en una caja eléctrica marcada como aceptable para sostener un ventilador de 31.8 k (70 lb) a 15.9 k (35 lb) (ver ejemplo en la ilustración C).



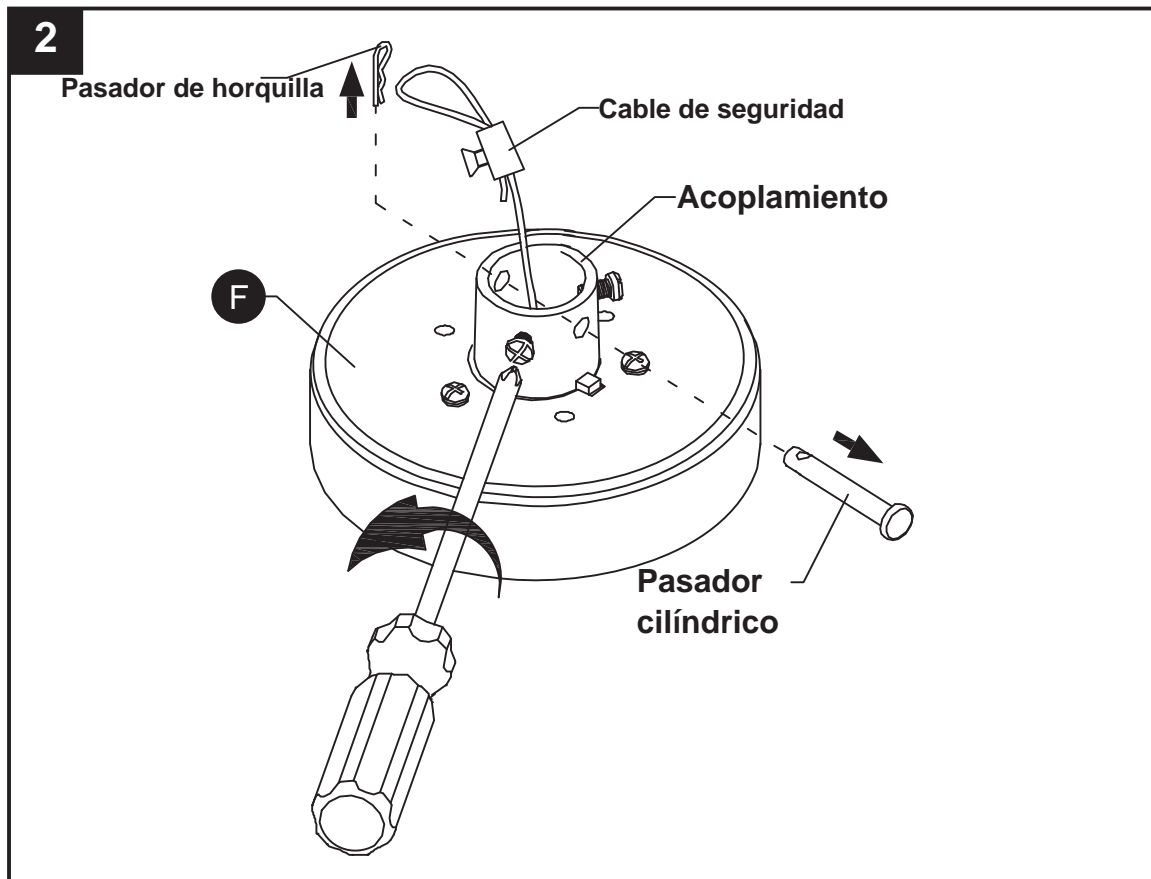
## INSTRUCCIONES DE ENSAMBLAJE

1. Asegure el soporte colgante (A) a la caja eléctrica del techo, utilizando los tornillos y las arandelas del soporte colgante.

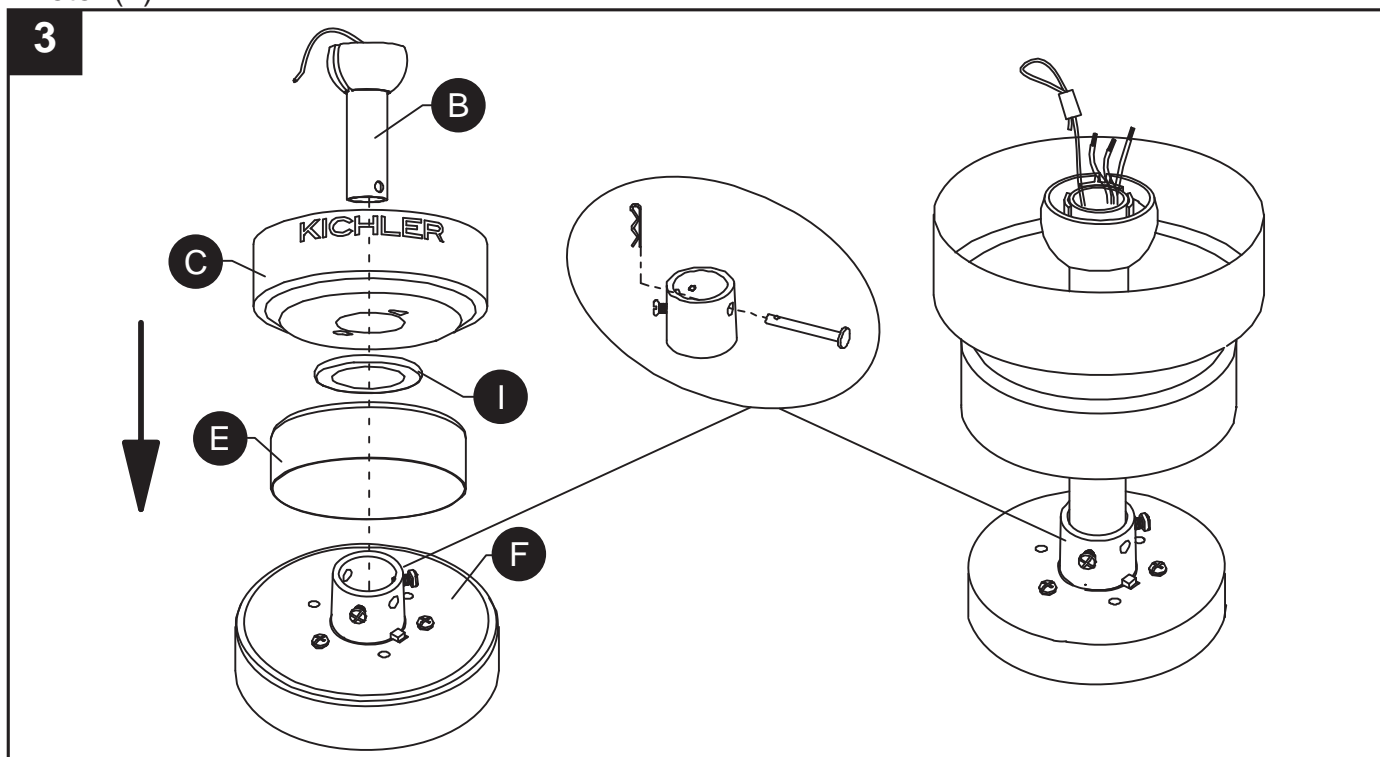
Importante: Si está fijando el ventilador en un techo inclinado, cerciórese de que la parte abierta del soporte colgante esté de cara al techo. No instale el ventilador en un cielo raso que tenga una inclinación de más de 20°.



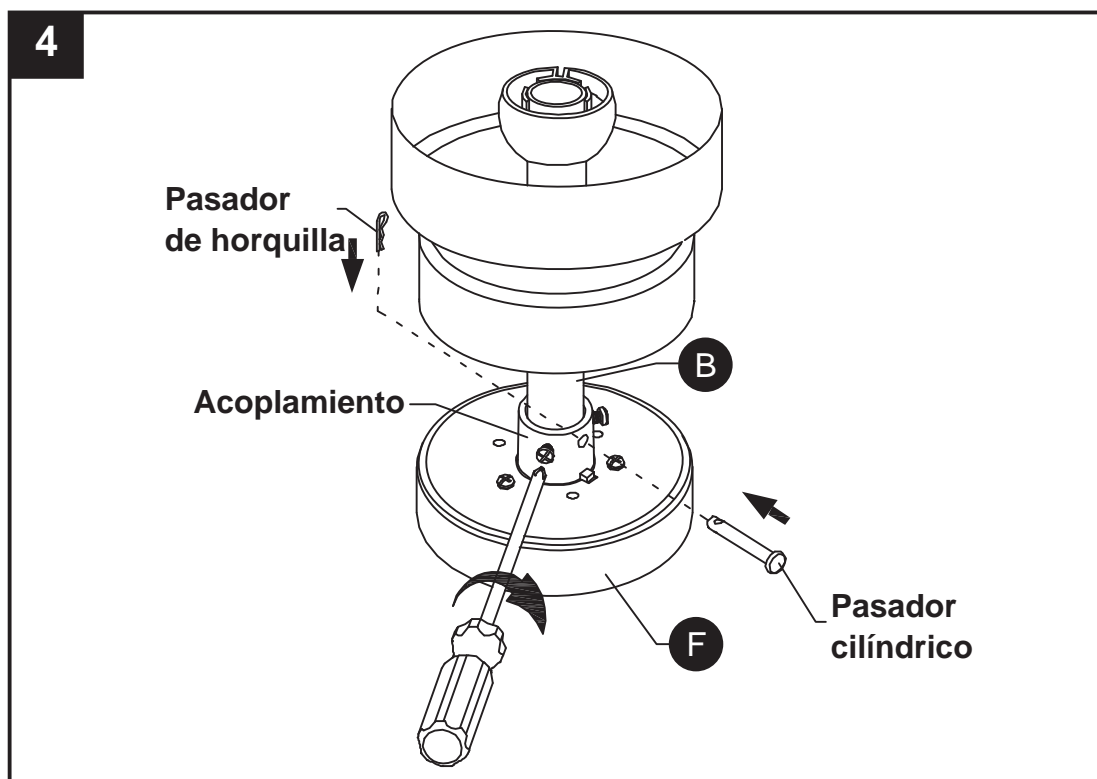
2. Afloje los tornillos fijadores del acople que se encuentra en la parte superior del conjunto del motor (F). Luego retire la horquilla y el pasador cilíndrico y guárdelos para usar en un paso subsecuente.



3. Inserte la varilla (B) por la cubierta (C) tapa del agujero de la cubierta (I) y la tapa del acoplamiento del motor (E). Pase los cables desde el conjunto del motor (F) por la varilla (B); después inserte la varilla (B) en el acople que se encuentra en la parte superior del conjunto del motor (F).

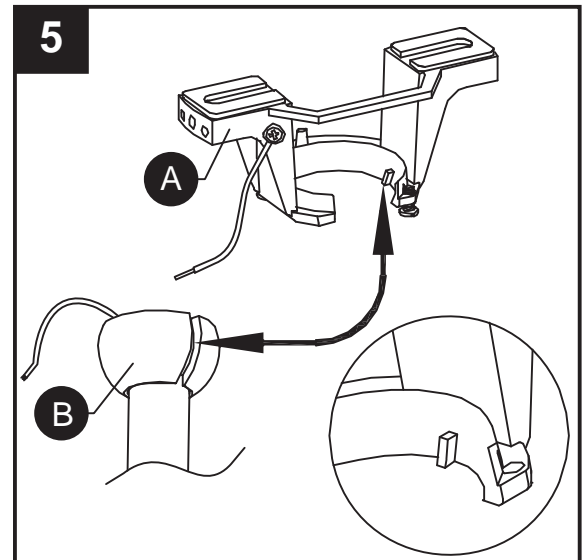


4. Pase el pasador cilíndrico por la varilla (B) y el acople que se encuentra en el conjunto del motor (F) y fíjelo con la horquilla. Apriete los tornillos fijadores que se encuentran en el acople en el conjunto del motor (F).

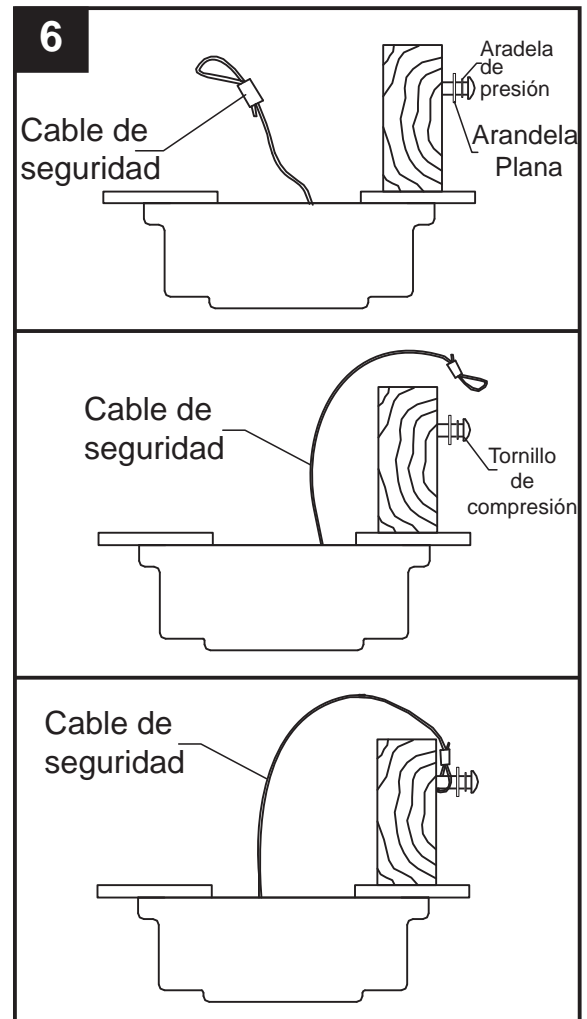


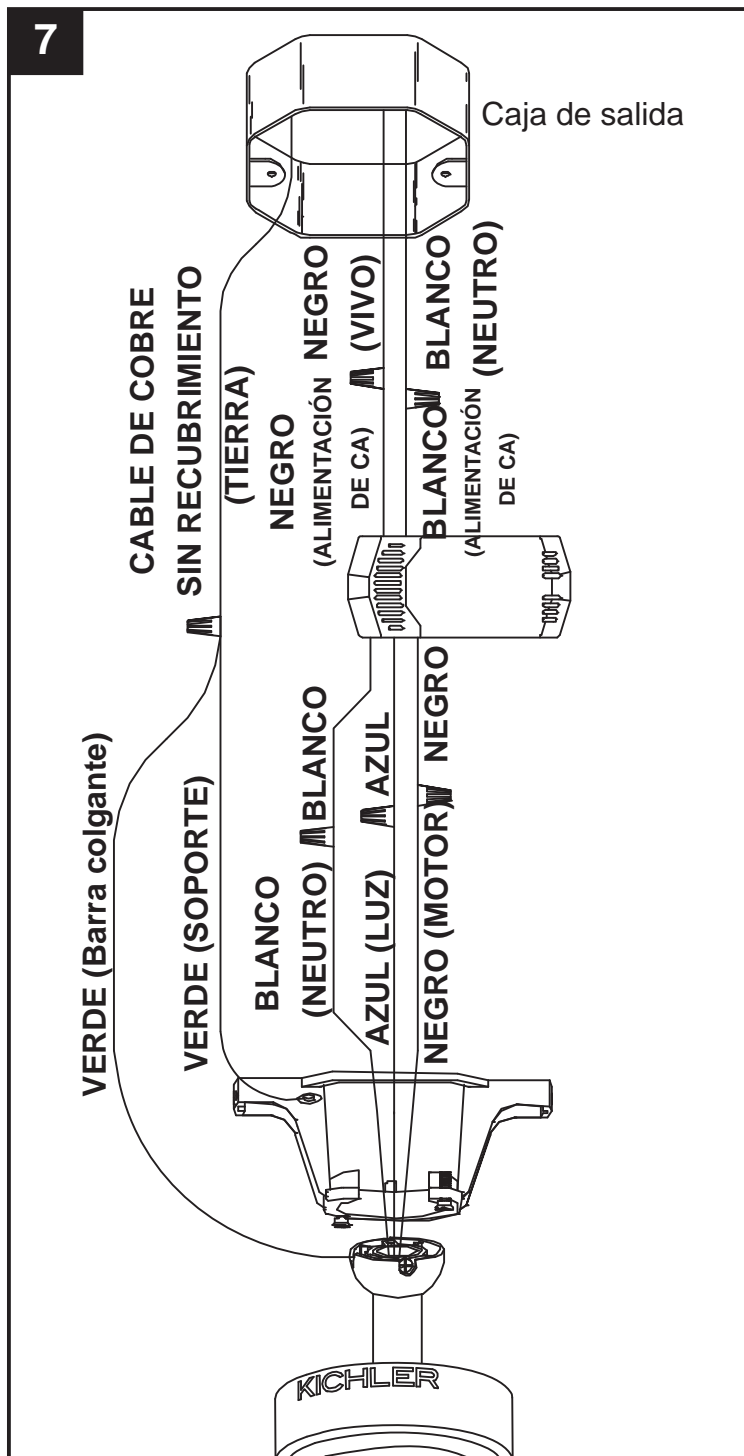
## INSTRUCCIONES DE ENSAMBLAJE

5. Levante con cuidado el ventilador y apoye el conjunto de la varilla (B)/rótula colgante sobre el soporte colgante (A). Cerciérese de que la ranura en la rótula esté alineada con la pestaña en el soporte colgante (A).



6. Para la instalación canadiense y para ventiladores en los EE. UU. de más de 15.8 k (35 libras), el cable de seguridad se debe instalar en las vigas de la estructura de la edificación utilizando un tornillo de compresión de 3". Cerciérese de que cuando el cable de seguridad esté totalmente extendido, los cables eléctricos sean más largos que el cable de seguridad, y que no se ejerza fuerza alguna sobre los cables eléctricos.





7. Realice el cableado del ventilador según el diagrama, y conecte firmemente los cables con conectores de cables: envuelva cada conector de cables con cinta aislante (no se incluye) y cerciórese de que no haya cable o filamentos de cable expuestos después de hacer las conexiones.

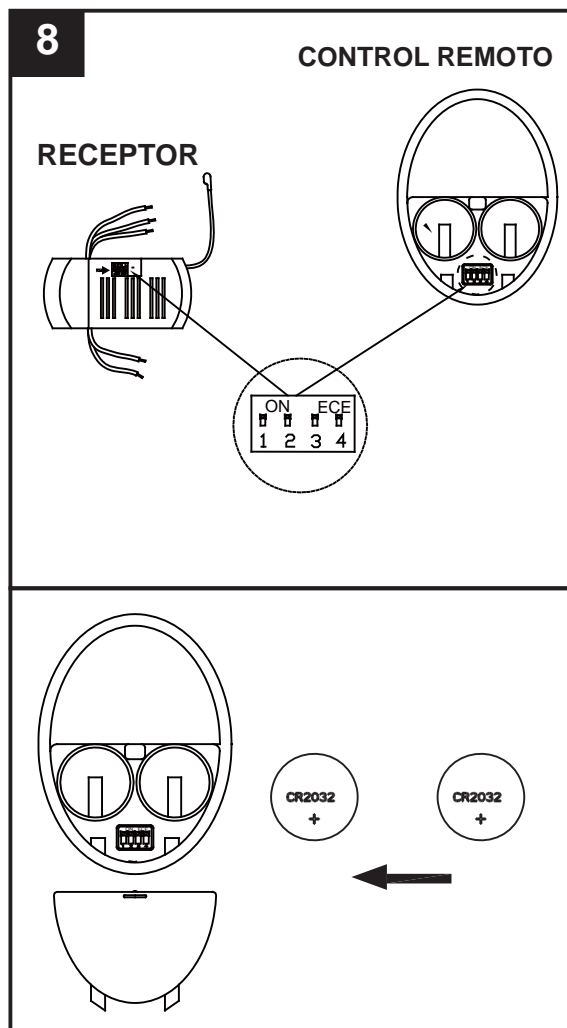
- Conecte el cable BLANCO del ventilador al cable BLANCO marcado como TO MOTOR N del receptor.
- Conecte el cable AZUL del ventilador al cable AZUL del receptor.
- Conecte el cable NEGRO del ventilador al cable NEGRO marcado como TO MOTOR L del receptor.
- Conecte el cable NEGRO de la caja eléctrica al cable NEGRO marcado como AC IN L del receptor.
- Conecte el cable BLANCO de la caja eléctrica al cable BLANCO marcado como AC IN N del receptor.
- Conecte los cables de TIERRA (VERDE) desde el soporte colgante y la rótula de la varilla, a TIERRA (VERDE o COBRE SIN RECUBRIMIENTO) de la edificación.



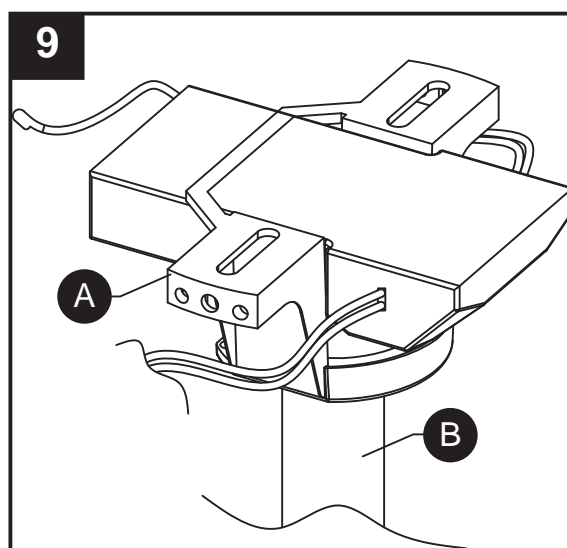
8. Instale las baterías (2032 de 3 voltios) en el control remoto. Asegúrese de que las baterías estén puestas correctamente en cada uno de sus nichos con el símbolo de la polaridad positiva hacia arriba, luego vuelva a colocar la cubierta de la batería. Compruebe el funcionamiento del control remoto presionando cualquier botón. Se debe encender una luz azul. Si no aparece una luz azul, asegúrese de que las baterías se hayan puesto correctamente.

Este sistema de control de ventilador está equipado con combinaciones de 16 códigos para prevenir posibles interferencias desde o hacia otras unidades remotas. Los interruptores de frecuencia en su receptor y transmisor han sido configurados previamente en la fábrica. Retire la tapa de la batería del transmisor y cerciórese de que los interruptores estén configurados en la misma posición. Esto se debe hacer para que su ventilador se comunique adecuadamente. Si va a utilizar más de un ventilador en la misma área y quiere controlarlos por separado, cambie en uno de los ventiladores la configuración del interruptor deslizable a un nuevo patrón en el transmisor y en el control remoto.

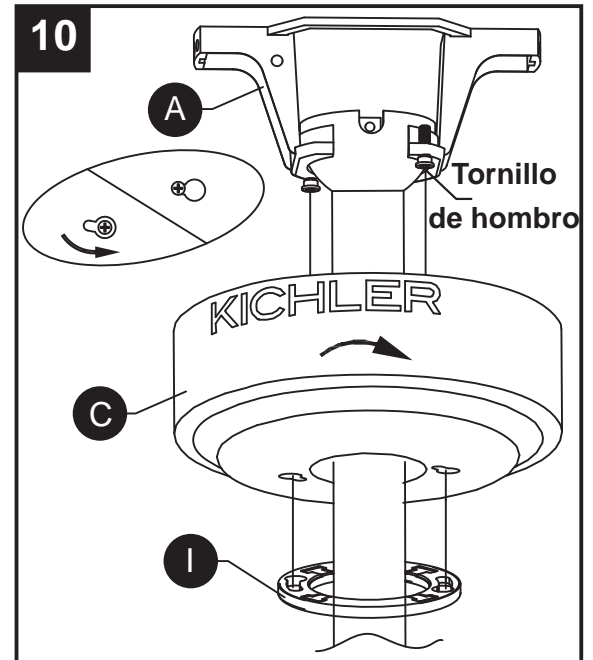
**NOTA :** si no se va a utilizar por períodos de tiempo extendidos, retire la batería para prevenir daños al transmisor. Mantenga el control remoto lejos de la humedad o el calor excesivos.



9. Una vez completado el paso del cableado, deslice el receptor remoto cableado entre el soporte colgante (A) y el extremo superior de la rótula de la varilla (B), con la parte plana del receptor orientada hacia el techo. Gire hacia arriba los cables eléctricos y empújelos con cuidado dentro de la caja eléctrica, con los cables blanco y verde a un lado de la caja, y el cable negro hacia el otro lado.

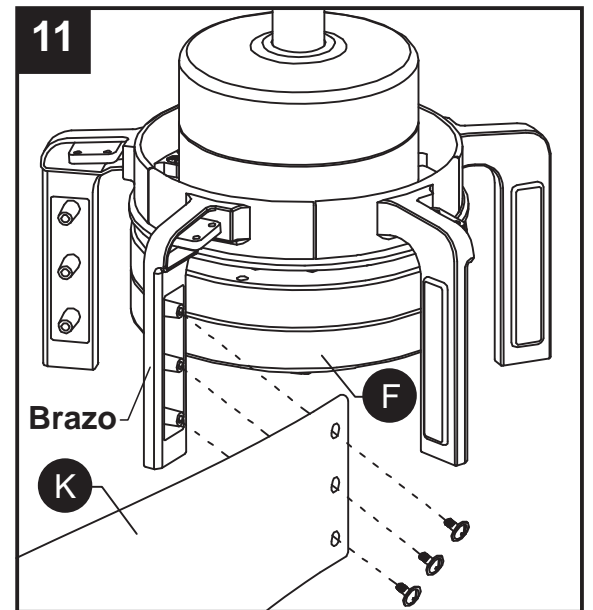


10. Afloje los dos tornillos de hombro sin retirarlos por completo del soporte colgante (A). Ensamble la cubierta (C) rotando la ranura en forma de ojo de cerradura en la cubierta sobre los tornillos de hombro en el soporte colgante (A). Apriete los tornillos de hombro. Fije con firmeza y apriete la tapa del agujero de la cubierta (I) sobre los tornillos de hombro en el soporte colgante (A), usando la función de girar y asegurar (cerradura de la torcedura) de la ranura en forma de ojo de cerradura.



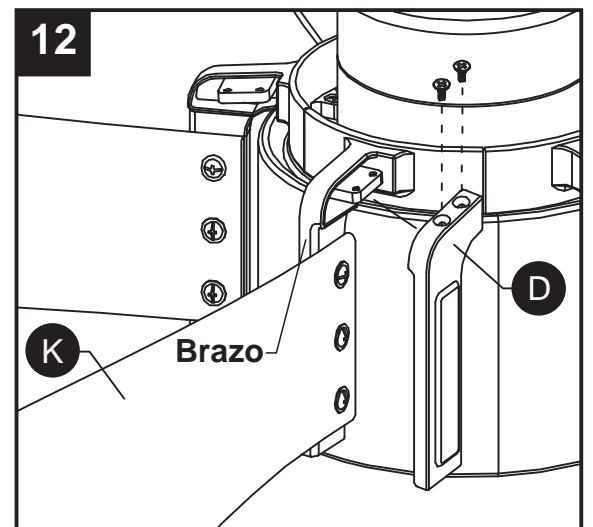
11. Fije el asa (K) al brazo en el conjunto del motor (F) con los tornillos del asa. No apriete los tornillos del asa hasta que todos los tornillos hayan sido insertados. Después, apriete cada tornillo, comenzando con el tornillo del centro.

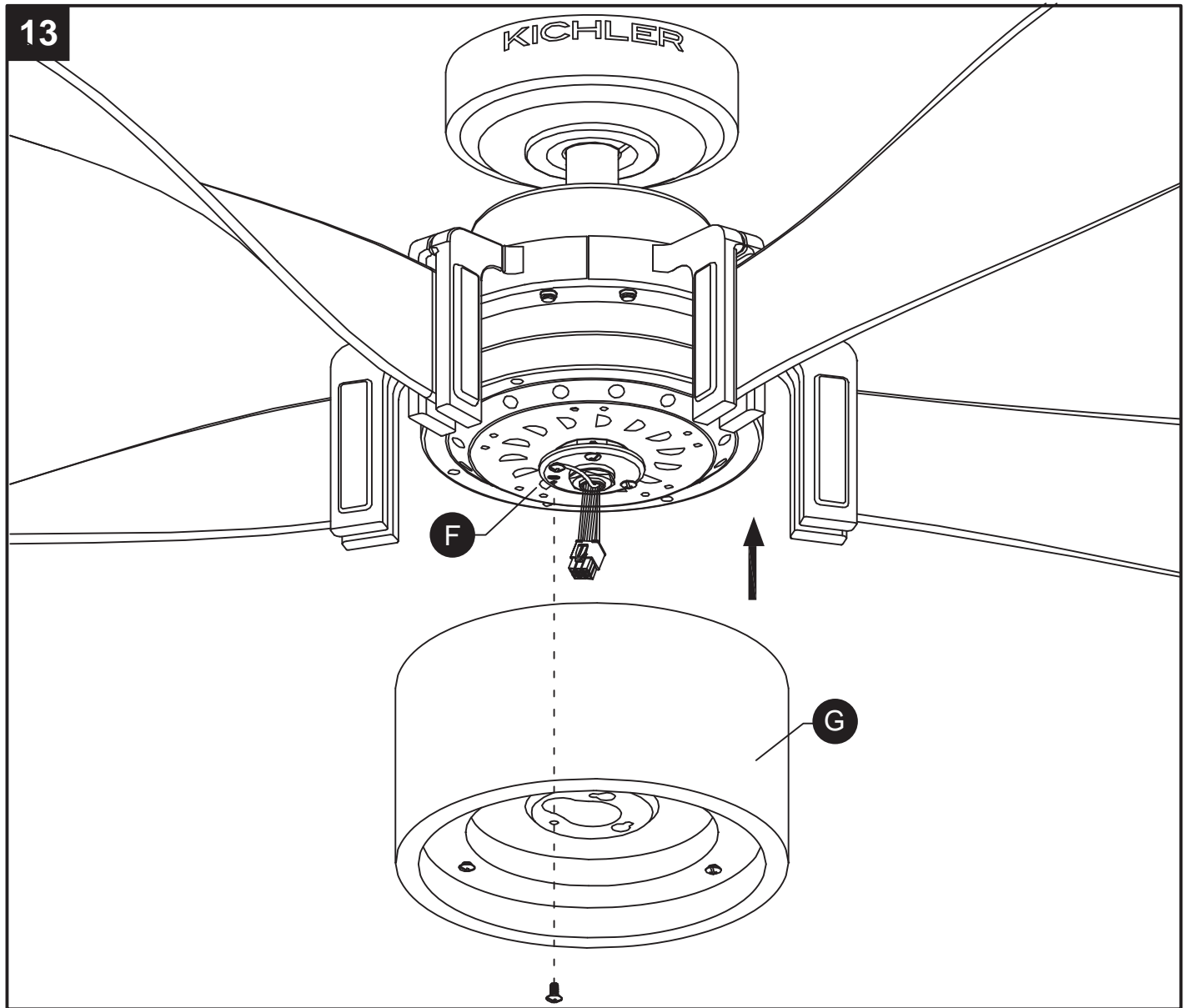
Repita para las aspas restantes.



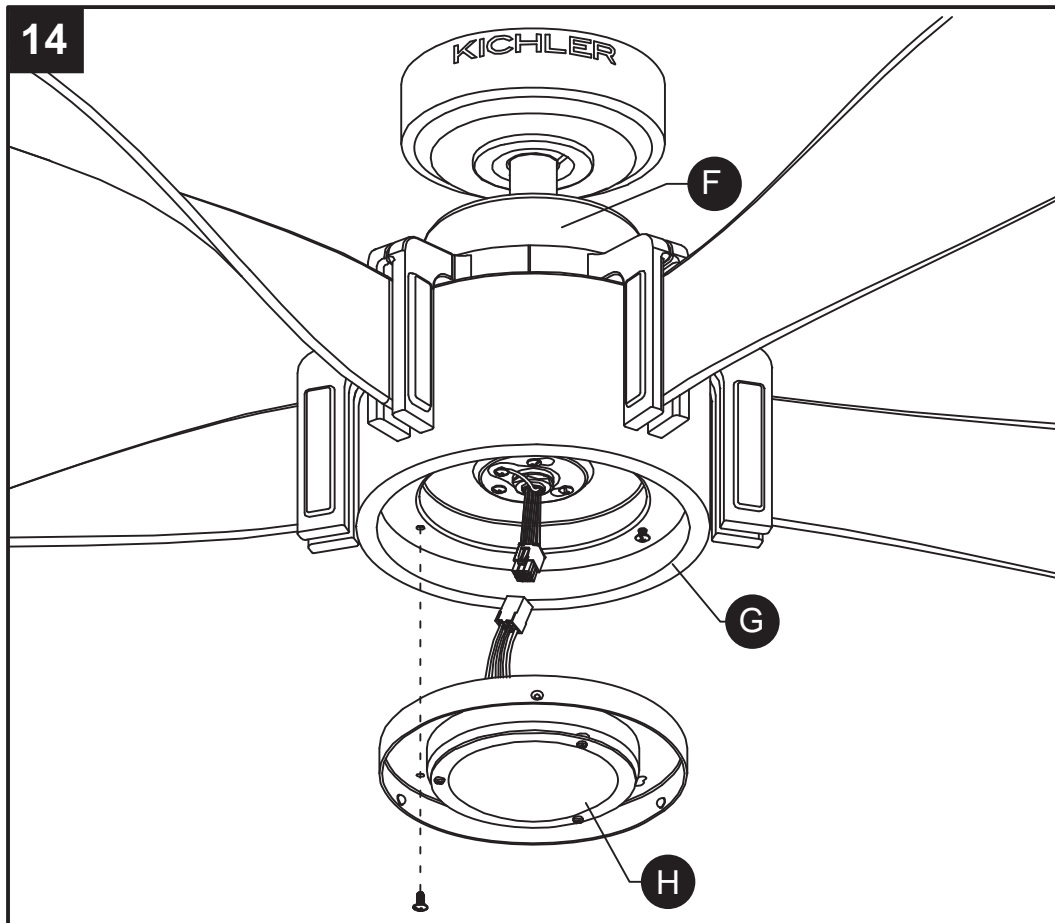
12. Pase el soporte del asa (D) sobre el asa (K) y fíjelo al brazo con los tornillos del soporte del asa.

Repita para los soportes de asa restantes.

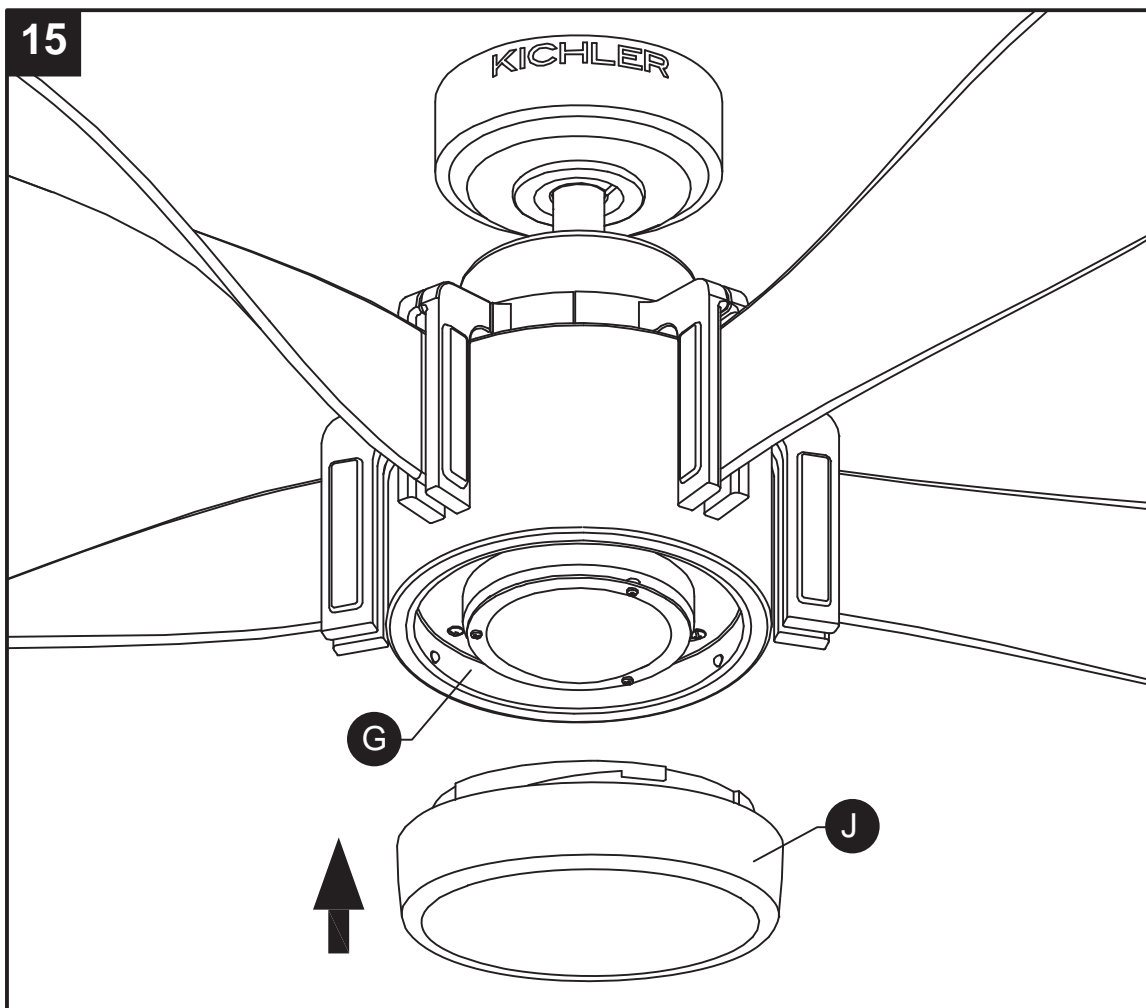




13. Retire del conjunto del motor (F) el tornillo de montaje marcado con una etiqueta circular roja y afloje pero no retire los otros 2 tornillos. Pase los cables desde el conjunto del motor (F) por el agujero central en el alojamiento del LED (G). Ubique las ranuras con forma de ojo de cerradura alrededor de los tornillos, y gire hacia la derecha. Inserte el tornillo que había retirado previamente. Apriete todos los tornillos.



14. Conecte los cables del conjunto del motor (F) al kit LED (H). Retire 1 de los 3 tornillos del alojamiento del LED (G) y afloje los otros dos. Ubique las ranuras con forma de ojo de cerradura alrededor de los tornillos, y gire hacia la derecha. Inserte el tornillo que había retirado previamente. Apriete todos los tornillos.



15. Atornille la pantalla (J) al alojamiento del LED (G).

## INSTRUCCIONES DE OPERACIÓN

### Botones de velocidad:

Velocidad baja ●  
Velocidad media ●●  
Velocidad alta ●●●

### Botones de la luz:

Estos dos botones encienden (ON) y apagan (OFF) la luz y también controlan la configuración de la intensidad de la luz.

### Botón de encendido:

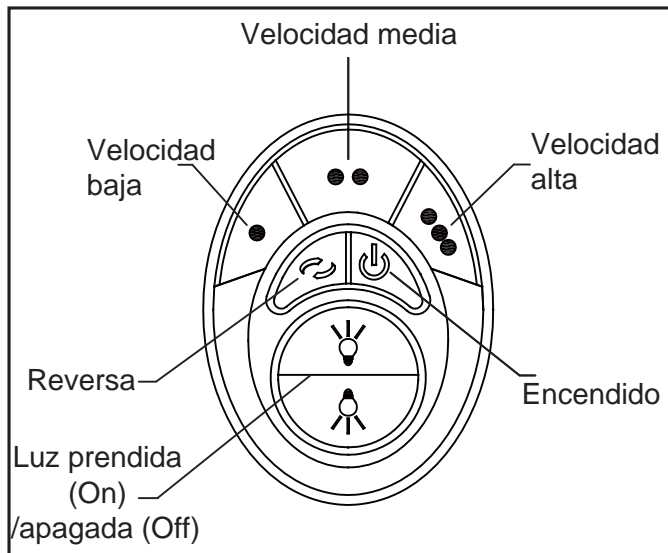
Este botón enciende y apaga el motor del ventilador y también se utiliza en el procedimiento de programación.

### Botón de dirección:

Este botón controla la dirección del ventilador hacia adelante y en reversa.

- En clima más cálido, el movimiento hacia la izquierda del ventilador dará como resultado un flujo de aire hacia abajo, generando un efecto de enfriado del aire.
- En clima más fresco, el movimiento hacia la derecha del ventilador dará como resultado un flujo de aire hacia arriba que puede ayudar a desplazar el aire caliente estancado del área del cielo raso.

### CONTROL REMOTO



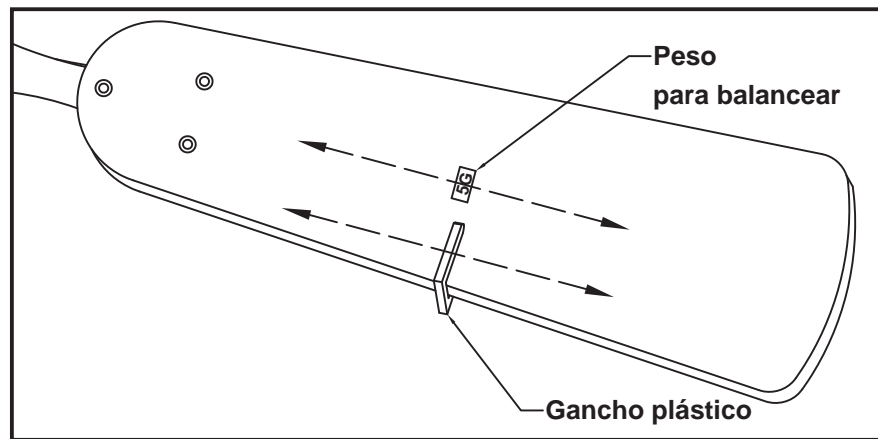
### PASOS PARA BALANCEAR EL VENTILADOR DE TECHO

---

- Apriete los tornillos del soporte de montaje, de la caja eléctrica, de la barra colgante, de las aspas del ventilador a los soportes de las aspas, y los soportes de las aspas al motor.
- Mida la distancia del extremo de cada aspa al techo. Todas las aspas deben tener la misma distancia vertical desde el techo. Ajuste cualquier soporte de aspa que esté doblado, presionándolo suavemente hacia arriba o hacia abajo, hasta que todas las aspas estén a la misma distancia del techo.
- Si el bamboleo continúa, es posible que necesite un kit de balanceo de las aspas para estabilizar el ventilador de techo. Un kit de balanceo de las aspas consiste de un gancho plástico y dos pesas para balanceo.

Determinar cuál es el aspa que requiere ser balanceada es una tarea de ensayo y error.

1. Coloque una pieza numerada de cinta de enmascarar en cada aspa para poder identificar cada aspa.
2. Un aspa a la vez, fije el gancho plástico con ranuras al centro del borde del aspa y encienda el ventilador. Observe cuál es el aspa que tiene el gancho cuando el ventilador de techo se bambolea menos.
3. Coloque el gancho plástico en el borde del aspa, a medio camino entre el soporte del aspa y el extremo de la misma. Encienda el ventilador y fíjese si ha mejorado.
4. Si no ha mejorado, vuelva a apagar el ventilador. Deslice el gancho a lo largo del aspa hasta ubicar la fuente de la inestabilidad.
5. Una vez haya identificado el aspa defectuosa, presione una pesa de balanceo en la línea del centro. La pesa debe ir paralela al gancho.



### ADVERTENCIA DE LA FCC

---

Este dispositivo cumple con el Apartado 15 de las Normas de la FCC. El funcionamiento está sujeto a las siguientes dos condiciones: (1) este dispositivo no puede causar interferencia perjudicial y (2) este dispositivo debe aceptar cualquier interferencia recibida, incluyendo interferencia que pueda causar funcionamiento no deseado.

Los cambios o modificaciones que no hayan sido aprobados expresamente por la parte responsable del cumplimiento pueden anular la facultad del usuario para operar el equipo.

**NOTA:** Este equipo ha sido probado y se demostró que cumple con los límites para un dispositivo digital de clase B, conforme al Apartado 15 de las normas de la FCC. Estos límites se han diseñado para brindar una protección razonable contra la interferencia perjudicial en una instalación residencial. Este equipo genera, utiliza y puede irradiar energía de radiofrecuencia y, si no se instala y utiliza de acuerdo con las instrucciones, puede causar interferencia perjudicial en las comunicaciones de radio. Sin embargo, no existe garantía alguna de que no ocurrirá interferencia en una instalación en particular. En caso de que este equipo cause interferencia perjudicial en la recepción de radio o televisión, lo cual puede determinarse apagando y volviendo a encender el equipo, se sugiere al usuario tratar de corregir la interferencia mediante una o más de las medidas siguientes:

Redirija o ubique en otro sitio la antena receptora, aumente la separación entre el equipo y el receptor, conecte el equipo a un tomacorriente en un circuito diferente de aquél al cual está conectado el ventilador.

### CUIDADO Y MANTENIMIENTO

---

Por lo menos dos veces al año, apriete todos los tornillos y baje la cubierta para revisar los tornillos del soporte de montaje y de la barra colgante. Limpie la carcasa del ventilador solamente con un cepillo suave o un paño libre de pelusas para evitar rayar el acabado. Limpie las aspas con un paño libre de pelusas. Apague la alimentación eléctrica principal antes de iniciar cualquier mantenimiento. No use agua o un paño mojado para limpiar el ventilador de techo.

## **GARANTÍA**

---

Kichler ofrece la siguiente garantía limitada de por vida al Comprador Original de un Ventilador de Techo Kichler: si el motor del ventilador o piezas relacionadas con el motor fallasen debido a lo que Kichler, a su exclusiva discreción, determine que sea un defecto de materiales o mano de obra, Kichler, a su elección, reparará o reemplazará la pieza defectuosa de forma gratuita.

Con excepción de lo dispuesto a continuación, durante un (1) año a partir de la fecha de compra, si cualquier pieza que no sea el motor o relacionada con el mismo, incluyendo, sin limitarse a ello, las aspas, los conjuntos de luces, las varillas, los interruptores, el alojamiento o el acabado fallasen debido a lo que Kichler, a su exclusiva discreción, determine que es un defecto de material o mano de obra, Kichler, a su elección, reparará o reemplazará la pieza defectuosa de forma gratuita.

Para reemplazar un producto que tenga un defecto cubierto por garantía, el Comprador Original deberá devolver cualquier pieza o producto supuestamente defectuosos al distribuidor Kichler autorizado al que se le compró el producto con PRUEBA DE COMPRA, el nombre del Comprador Original y la dirección para el envío y una descripción del defecto de producto sobre el que se reclama.

Si Kichler, a su exclusiva discreción, encuentra que cualquiera de los productos garantizados es defectuoso, ese producto será, a opción y costo exclusivos de Kichler, reemplazado, reparado o reembolsado descontando una cantidad directamente atribuible al uso previo del producto por el Comprador Original. Kichler devolverá el producto reparado o reemplazado con flete pagado por adelantado. Esta garantía no cubre la mano de obra u otros costos o gastos para desmontar o instalar cualquier producto defectuoso, reparado o reemplazado.

Las partes en el presente acuerdan expresamente que el único y exclusivo recurso del Comprador Original contra Kichler será por la reparación, reemplazo o reembolso de productos defectuosos según se dispone aquí. Esta garantía se extiende únicamente a la propiedad del producto por el Comprador Original; no es transferible ni a herederos, propietarios subsecuentes o de otro modo; y no tiene validez si el Comprador Original deja de ser propietario del producto.

Esta garantía no aplica a ningún producto que haya sido objeto de uso indebido, manipulación indebida, aplicación indebida, conectado a voltaje superior al 5 % del voltaje norteamericano estándar, uso inusual (incluyendo sin limitación el uso en un ambiente donde la temperatura promedio anual de operación sea inferior a 27 oF [-2.8 oC] o superior a 95 oF [35 oC]), negligencia (incluyendo sin limitación mantenimiento indebido), accidente, causas de fuerza mayor como vientos fuertes, instalación o cuidado indebidos, no seguir las instrucciones escritas para el uso y cuidado normales del producto, el empaque indebido de productos devueltos a Kichler, modificación (incluyendo sin limitación el uso de repuestos o accesorios no autorizados), o ajuste o reparación. La exposición significativa del producto a químicos, limpiadores fuertes, agua salada o aire salado invalidará cualquiera y toda garantía sobre los acabados exteriores. Esta garantía solo aplica cuando todos los componentes, incluyendo los transformadores, han sido suministrados por Kichler. Sustituirlos con productos o componentes de otro fabricante invalidará por completo la garantía.

ESTA GARANTÍA LE OTORGA DERECHOS LEGALES ESPECÍFICOS. USTED TAMBIÉN PUEDE TENER OTROS DERECHOS QUE VARÍAN DE ESTADO A ESTADO. ALGUNOS ESTADOS NO PERMITEN LIMITACIONES SOBRE LA DURACIÓN DE UNA GARANTÍA IMPLÍCITA O LA EXCLUSIÓN O LIMITACIÓN DE DAÑOS INCIDENTALES O INDIRECTOS; POR TANTO, LAS LIMITACIONES O EXCLUSIONES ANTERIORES PUEDEN NO APLICAR EN SU CASO.

LA GARANTÍA RECIÉN DESCRITA REPLAZA CUALQUIER OTRA GARANTÍA, EXPRESA O IMPLÍCITA, INCLUYENDO AQUELLAS DE COMERCIALIZACIÓN, ADECUACIÓN PARA CUALQUIER PROPÓSITO PARTICULAR O INFRACCIÓN. EL COMPRADOR ORIGINAL EN NINGÚN CASO TENDRÁ DERECHO A, Y KICHLER LIGHTING NO SERÁ RESPONSABLE POR, DAÑOS INDIRECTOS, ESPECIALES, INCIDENTALES O CONSECUENTES DE CUALQUIER NATURALEZA, INCLUYENDO SIN LIMITACIÓN PÉRDIDA DE UTILIDADES, GASTOS PROMOCIONALES Y/O DE FABRICACIÓN, GASTOS GENERALES, DAÑO A LA REPUTACIÓN Y/O PÉRDIDA DE CLIENTES.