

C-Series LED

120V-277V LED Medium Flood, 33.5W & 52W



PROJECT:

TYPE:

ORDERING:

COMMENTS:

APPLICATIONS

Kichler's 120V-277V LED flood lighting fixtures are designed for outdoor lighting applications requiring uniform light sources, with long life, and little maintenance requirements.

CONSTRUCTION

Modern style with durable polyester powder coating. Vandal resistant hardware, reinforced knuckle design, a water draining front end with an integrated cowl. The accent can accept multiple media; lenses and louvers.

ELECTRICAL

UL listed for 120V-277 VAC (50/60 Hz), and suitable for wet locations. Integrated surge protection (4kV) comes standard.

OPTICS

Utilized a two LED chip-on-board light sources that provides for center-to-edge uniformity and enhances beam control. NEMA 7 x 5 wide flood. Three-step binning for tight color consistency.

INCLUDED ACCESSORIES

Three (3) King Innovation Gel-Filled Wire Nuts

LUMEN INFORMATION

Low 16223				
Wattage	CRI	Lumens	Efficacy	L70 (hrs)
33.5W	80+	3000Lm	90 LPW	40,000

High 16224				
Wattage	CRI	Lumens	Efficacy	L70 (hrs)
52W	80+	4200Lm	81 LPW	40,000

*Lumen values same for both 3000K/4000K

LISTINGS

UL / cUL Listed - Wet Location rated
IP66 - Dust & Water proof
FCC Compliant

WARRANTY

6 Year Limited Warranty

ADDITIONAL MOUNTING OPTIONS



Slip-Fit Mount



Trunnion Mount

ORDERING MATRIX (Model # +Finish & CCT Codes, Version optional)

Model #	Wattage	Lumens	Finish	CCT	Version (option)
16223	33.5W	3000 Lm	AZT - Textured Architectural Bronze	30 - 3000k	TR - Trunnion
16224	52W	4200 Lm	BKT - Textured Black	40 - 4000k	SL - Slip-Fit

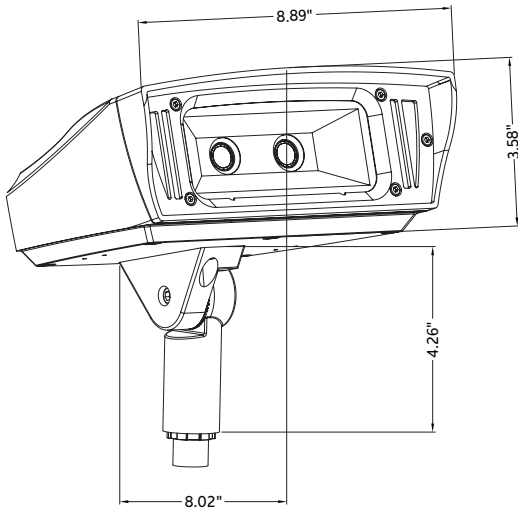
Example: 16223BKT40SL = 3000Lm Black, Flood, 4000K, Slip-Fit

KICHLER

C-Series LED

120V-277V LED Medium Flood, 33.5W & 52W

DIMENSIONS



ACCESSORIES

Ordered & shipped separately (for knuckle only)

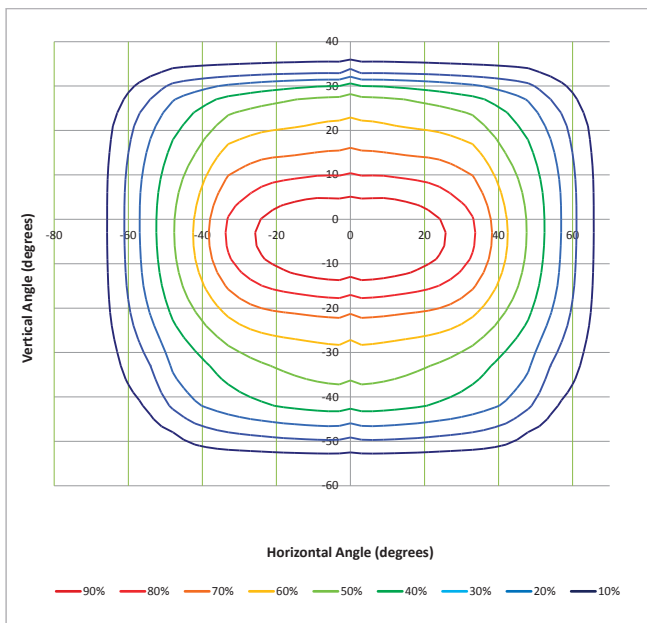
- | | |
|----------------------------------|---------------------|
| 15645 AZT, BKT - 6" Stem | Corrosion resistant |
| 15656 AZT, BKT - 12" Stem | aluminum alloy with |
| 15657 AZT, BKT - 18" Stem | baked thermoset |
| 15658 AZT, BKT - 24" Stem | powder coating. |

15276 BKT - Power Post: A Fast, One-Step Connector Made of Impact / Corrosion Resistant PVC
2.250" Inside Diameter to Accommodate Conduits of Different Sizes
Accepts .50 NPSM Thread
Designed For 120V-277V Line Voltage Landscape Lighting, Eliminating Need For Above or Below Ground Boxes.
Built-in Stabilizer Removes Need For Concrete

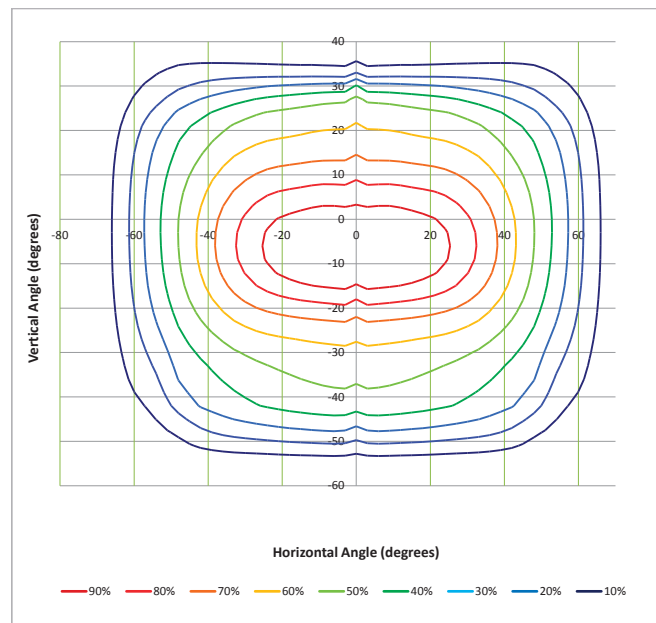
15601 AZT, BKT - Cast Aluminum Surface Mounting Flange with Bronze or Black Finish, Neoprene Gasket For Watertight Seal

15609 AZT, BKT - Junction Box Mounting Bracket
Corrosion Resistant Cast Aluminum Alloy with Baked Thermoset Bronze or Black Powder Coat Finish

PHOTOMETRIC DIAGRAMS



16223BKT30 shown (3000 Lumens)



16224BKT30 shown (4200 Lumens)