

C-Series LED

120V-277V LED Small Accent, 5.3W & 10W



PROJECT:

TYPE:

ORDERING:

COMMENTS:

APPLICATIONS

Kichler's 120V-277V LED accent lighting fixtures are designed for outdoor lighting applications requiring uniform light sources, with long life, and little maintenance requirements.

CONSTRUCTION

Modern style with durable polyester powder coating. Vandal resistant hardware, reinforced knuckle design, a water draining front end with an integrated cowl. The accent can accept multiple media; lenses and louvers.

ELECTRICAL

UL listed for 120V-277 VAC (50/60 Hz), and suitable for wet locations. Integrated surge protection (4kV) comes standard.

OPTICS

Utilized a single LED chip-on-board light source that provides for center-to-edge uniformity and enhances beam control. Three-step binning for tight color consistency. Multiple degree options (15, 40, 55).

LUMEN INFORMATION

Low 16209 - 16211				
Wattage	CRI	Lumens	Efficacy	L70 (hrs)
5.3W	80+	425Lm	80 LPW	40,000

High 16212 - 16214				
Wattage	CRI	Lumens	Efficacy	L70 (hrs)
10W	80+	750Lm	75 LPW	40,000

*Lumen values same for both 3000K/4000K

LISTINGS

UL / cUL Listed - Wet Location rated
IP66 - Dust & Water proof
FCC Compliant

WARRANTY

6 Year Limited Warranty

INCLUDED ACCESSORIES

Three (3) King Innovation Gel-Filled Wire Nuts

ORDERING MATRIX (Model # +Finish & CCT Codes)

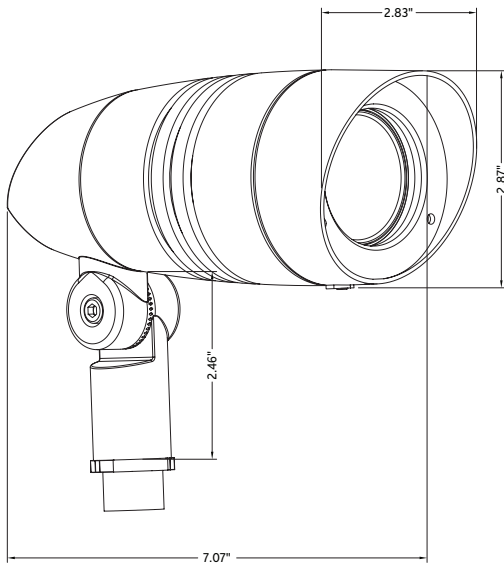
Model #	Wattage	Beam Angle / Lumens		Finish	CCT
16209	5.3W	15 Deg	425 Lm	AZT - Textured Architectural Bronze	30 - 3000k
16210	5.3W	40 Deg	425 Lm	BKT - Textured Black	40 - 4000k
16211	5.3W	55 Deg	425 Lm		
16212	10W	15 Deg	750 Lm		
16213	10W	40 Deg	750 Lm		
16214	10W	55 Deg	750 Lm		

Example: 16212BKT40: Small Accent, 750Lm, 15Deg, Black Finish, 4000K

C-Series LED

120V-277V LED Small Accent, 5.3W & 10W

DIMENSIONS



ACCESSORIES

Ordered & shipped separately (for knuckle only)

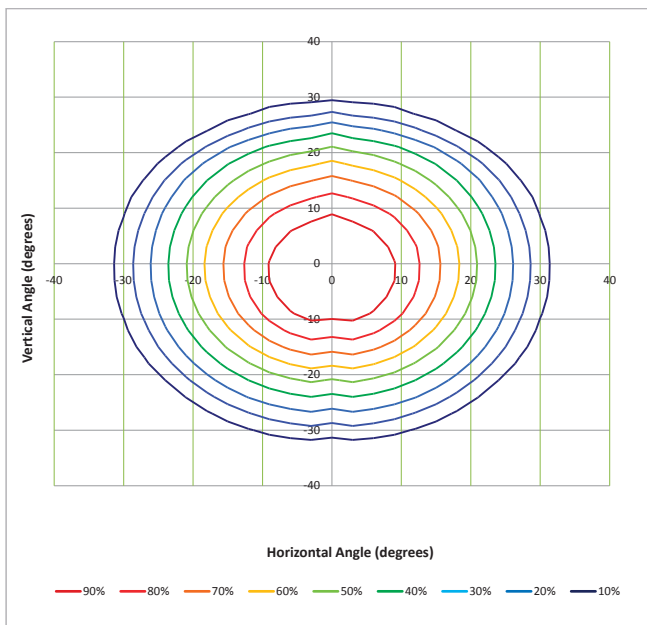
- | | |
|----------------------------------|---------------------|
| 15645 AZT, BKT - 6" Stem | Corrosion resistant |
| 15656 AZT, BKT - 12" Stem | aluminum alloy with |
| 15657 AZT, BKT - 18" Stem | baked thermoset |
| 15658 AZT, BKT - 24" Stem | powder coating. |

15276 BKT - Power Post: A Fast, One-Step Connector Made of Impact / Corrosion Resistant PVC
 2.250" Inside Diameter to Accommodate Conduits of Different Sizes
 Accepts .50 NPSM Thread
 Designed For 120V-277V Line Voltage Landscape Lighting, Eliminating Need For Above or Below Ground Boxes.
 Built-in Stabilizer Removes Need For Concrete

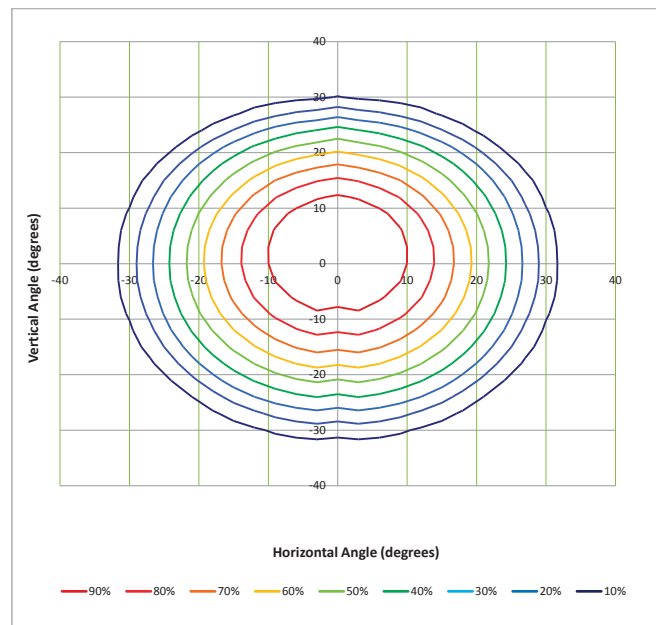
15601 AZT, BKT - Cast Aluminum Surface Mounting Flange with Bronze or Black Finish, Neoprene Gasket For Watertight Seal

15609 AZT, BKT - Junction Box Mounting Bracket
 Corrosion Resistant Cast Aluminum Alloy with Baked Thermoset Bronze or Black Powder Coat Finish

PHOTOMETRIC DIAGRAMS



16210BKT30 shown (425 Lumens)



16213BKT30 shown (750 Lumens)