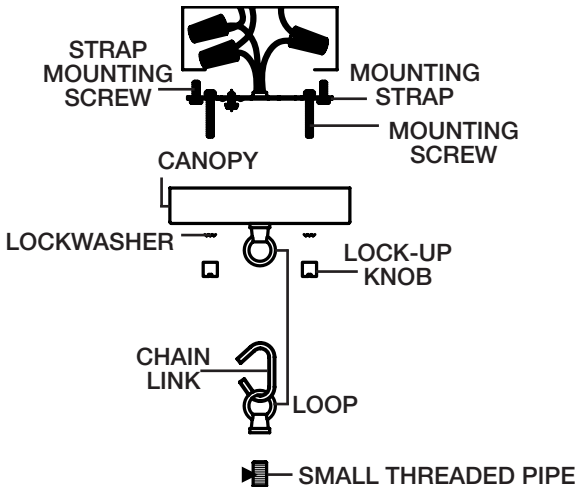


CAUTION – RISK OF SHOCK –

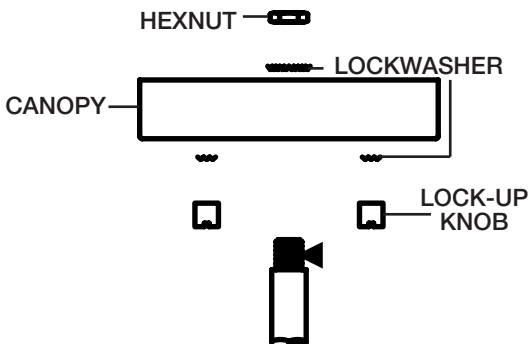
Disconnect Power at the main circuit breaker panel or main fuse box before starting and during the installation.

NOTE 1: Portions of this installation will require (2) people.
NOTE 2: Thread locking compound must be applied to all stem threads as noted with symbol (▶) to prevent accidental rotation of stems during cleaning, relamping, etc

- 1) Thread lower tier stem into coupling on top wiring body using thread locking compound. Thread upper tier stem onto lower tier stem using thread locking compound. Tighten to secure.
- 2) Select proper length of stem(s) required. Pass wire thru short threaded nipple and thread into coupling at top of fixture using thread locking compound. Thread stem(s) onto pipe using thread locking compound. Continue with remaining stem(s). Thread small threaded pipe into top of last stem (ceiling side) using thread locking compound.
- 3A) **Slope ceiling mount** - Attach one end of chain to loop on top of fixture body. Attach other end of chain to small loop on canopy. Close chain link ends together using chain pliers or padded pliers to prevent damage to finish. Weave fixture wires and ground wire through loops and chain link. Pass fixture wires through hole in small loop on canopy and through hole in canopy.



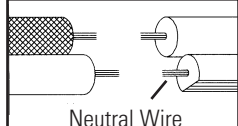
- 3B) **Flat ceiling mount** - If installing on flat ceiling and choose not to use slope mounting hardware- remove hexnut and lockwasher from canopy. Pull loop out of canopy. Remove threaded pipe from loop. Pass fixture wires thru threaded pipe. Screw threaded pipe into last stem using thread locking compound. Pass fixture wire thru hole in canopy. Pass canopy over threaded pipe. Pass fixture wire thru lockwasher and hexnut. Thread hexnut onto pipe. Tighten to secure



- 4) Find the appropriate threaded holes on mounting strap. Assemble mounting screws into threaded holes.
- 5) Attach mounting strap to outlet box. Mounting strap can be adjusted to suit position of fixture.
- 6) Make wire connections. Reference chart below for correct connections and wire accordingly.

Connect Black or Red Supply Wire to:	Connect White Supply Wire to:
Black	White
*Parallel cord (round & smooth)	*Parallel cord (square & ridged)
Clear, Brown, Gold or Black without tracer	Clear, Brown, Gold or Black with tracer
Insulated wire (other than green) with copper conductor	Insulated wire (other than green) with silver conductor

*Note: When parallel wires (SPT I & SPT II) are used. The neutral wire is square shaped or ridged and the other wire will be round in shape or smooth (see illus.)

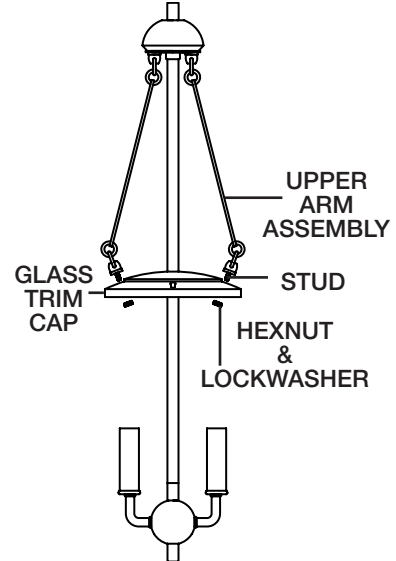


- 7) Push fixture to ceiling, carefully passing mounting screws through holes in canopy. Make sure all wires are inside canopy and do not get pinched between canopy and ceiling.
- 8) Slip lockwashers over mounting screws. Thread lockup knobs onto mounting screw and tighten to secure fixture to ceiling.

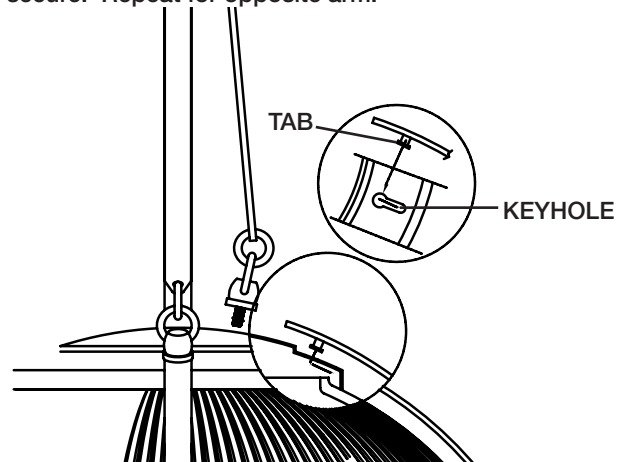
INSTRUCTIONS

For Assembling and Installing Fixtures in Canada
Pour L'assemblage et L'installation Au Canada

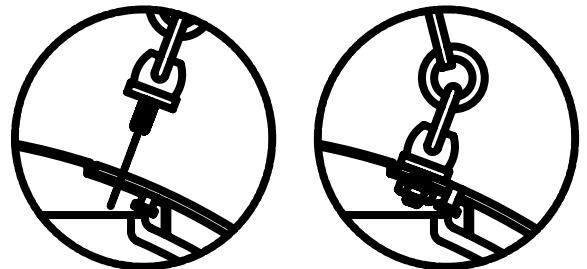
- 9) Temporarily attach (2) arms with loops from upper tier to glass trim cap. Raise trim up and pass threaded stud through top edge of keyhole. Slip lockwasher on stud and thread hexnut. Tighten finger tight temporarily.
- 10) Using (2) people, raise top glass assembly by supporting from under the metal loop that glass is resting on. Carefully pass hole in glass over socket assembly. Starting with (1) of keyholes left open from step 12, align metal tabs on bottom side of straps to larger end of keyhole. Pass tabs thru keyhole and slide downward to bottom end of keyhole. Repeat for opposite strap.



- 11) Align (1) of remaining arms from top tier to hole in strap and thru trim. Pass stud thru hole in strap and keyhole of trim. Slip lockwasher on stud and thread hexnut on stud. Tighten to secure. Repeat for opposite arm.



- 12) Remove hexnut and lockwasher from (1) arm attached to glass trim from step 12. Align metal tab on bottom side of strap to larger end of keyhole. Pass tab thru keyhole and slide downward to bottom end of keyhole. Align upper tier arm with loop and pass stud thru hole in strap and keyhole of trim. Slip lockwasher on stud and thread hexnut on stud. Tighten to secure. Repeat for opposite side.



- 13) Install recommended bulbs (not included).

CAUTION – RISK OF SHOCK –

Disconnect Power at the main circuit breaker panel or main fuse box before starting and during the installation.

INSTRUCTIONS

For Assembling and Installing Fixtures in Canada
Pour L'assemblage et L'installation Au Canada

- 14) Screw hexnut on end of threaded pipe. Screw threaded pipe into coupling. Tighten hexnut to secure. Note: It may be required to adjust threaded pipe up or down to get correct length when installing lower glass, washers, hexnut, trim and finial.
- 15) Pass metal washer then rubber washer over threaded pipe. Raise bottom glass to wiring body. Carefully pass hole in glass over threaded pipe. Pass rubber washer then metal washer over threaded pipe. Screw hexnut onto threaded pipe and tighten to secure. DO NOT over tighten.
- 16) Pass trim over threaded pipe. Screw finial onto threaded pipe. Tighten to secure.

