

**WARNING:**

- This fixture is intended for installation in accordance with the National Electric Code (NEC) and all local code specifications.
- Supply wires are not intended for use through or concealed behind walls, floors, or ceilings.
- The LED light output is strong enough to injure human eyes. Precautions must be taken to prevent looking directly at LED's with unaided eyes for more than a few seconds.

**DIMMING:** This LED fixture is compatible with electronic low voltage dimmers only.

- 1) Read and understand all instructions and illustrations completely before proceeding with assembly and installation of fixture.
- 2) If you have any doubts about how to install this fixture, or if the fixture fails to operate completely, please contact a qualified electrician.
- 3) All parts must be used as indicated in the instructions. Do not substitute any parts, leave parts out, or use any parts that are worn or broken. Failure to obey this instruction could invalidate the UL listing, C.S.A. certification, and/or ETL listing of this fixture.
- 4) Fixture is to be connected to a single branch circuit.

**1) TURN OFF POWER.**

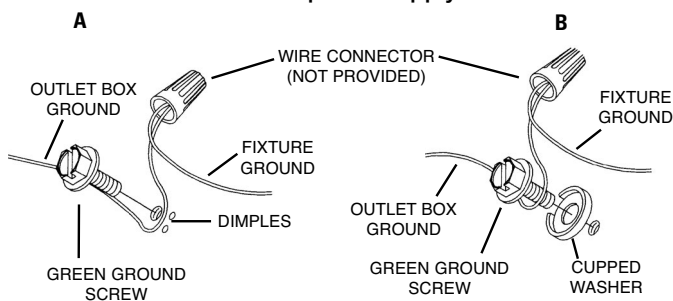
**IMPORTANT:** Before you start, NEVER attempt any work without shutting off the electricity until the work is done.

- a) Go to the main fuse, or circuit breaker, box in your home. Place the main power switch in the "OFF" position.
- b) Unscrew the fuse(s), or switch "OFF" the circuit breaker switch(s), that control the power to the fixture or room that you are working on.
- c) Place the wall switch in the "OFF" position. If the fixture to be replaced has a switch or pull chain, place those in the "OFF" position.

**2) Grounding instructions: (See Illus. A or B).**

- A) On fixtures where mounting strap is provided with a hole and two raise dimples. Wrap ground wire from outlet box around green ground screw, and thread into hole.
- B) On fixtures where a cupped washer is provided. Put ground wire from outlet box under cupped washer and green ground screw and thread screw into hole in mounting strap.

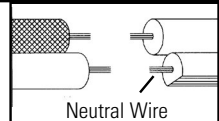
If fixture is provided with ground wire. Connect fixture ground wire to outlet box ground wire with wire connector, (not provided) after following the above steps. Never connect ground wire to black or white power supply wires.



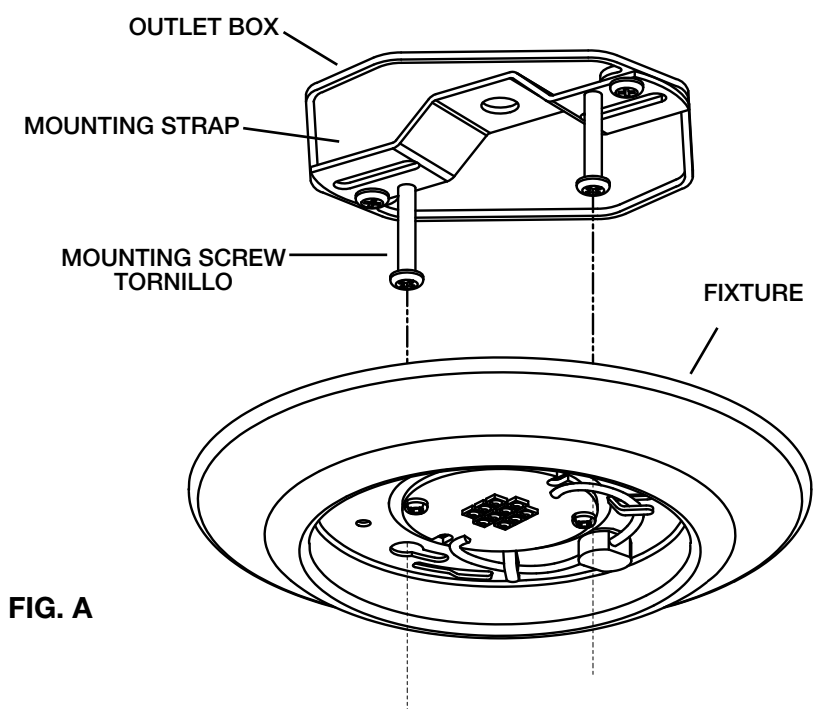
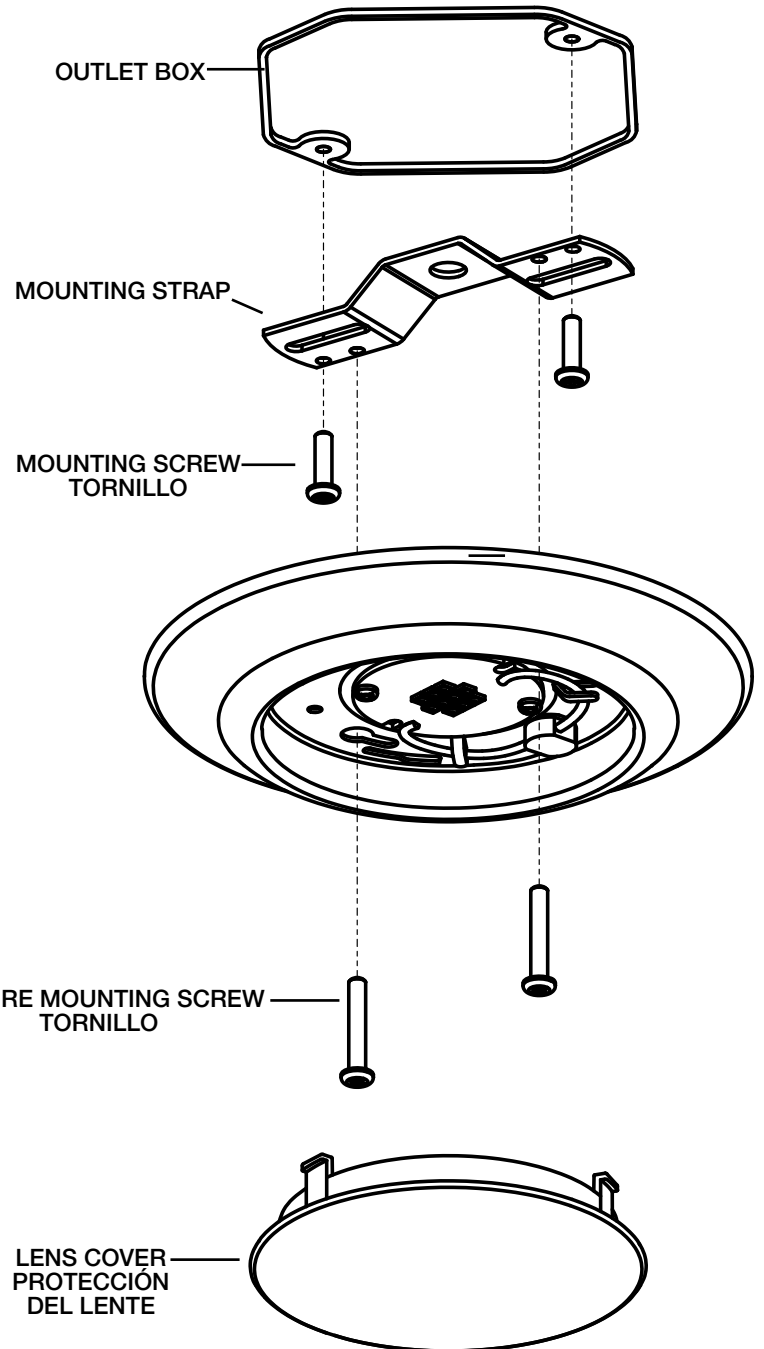
**3) Make wire connections. Reference chart below for correct connections and wire accordingly.**

Connect Black or Red Supply Wire to:	Connect White Supply Wire to:
Black	White
*Parallel cord (round & smooth)	*Parallel cord (square & ridged)
Clear, Brown, Gold or Black without tracer	Clear, Brown, Gold or Black with tracer
Insulated wire (other than green) with copper conductor	Insulated wire (other than green) with silver conductor

\*Note: When parallel wires (SPT I & SPT II) are used. The neutral wire is square shaped or ridged and the other wire will be round in shape or smooth (see illus.)



- 4) Mounting surface should be clean, dry, flat and 1/4" larger than the fixture housing surface.
- 5) Find the appropriate threaded holes on the mounting strap and attach mounting strap to outlet box using mounting strap screws provided, these are the shorter of the two screws.
- 6) Attach the fixture mounting screws to mounting strap (see figure A).
- 7) Remove lens cover from fixture by twisting lens cover counter-clockwise.
- 8) Make wire connections.
- 9) Push fixture over outlet box, carefully passing fixture mounting screws through the slotted holes in the fixture (see figure A).
- 10) Secure fixture to ceiling by tightening fixture mounting screws.
- 11) Any gaps in the mounting surface exceeding 3/16" should be corrected as required.
- 12) Replace the lens cover back on the fixture by lining up tabs on lens and turning to lock in place.



**FIG. A**

This device complies with part 15 of the FCC Rules. Operation is subject to the following two conditions: (1) This device may not cause harmful interference, and (2) this device must accept any interference received, including interference that may cause undesired operation.

**Note:** This equipment has been tested and found to comply with the limits for a Class B digital device, pursuant to part 15 of the FCC Rules. These limits are designed to provide reasonable protection against harmful interference in a residential installation. This equipment generates, uses and can radiate radio frequency energy and, if not installed and used in accordance with the instructions, may cause harmful interference to radio communications. However, there is no guarantee that interference will not occur in a particular installation. If this equipment does cause harmful interference to radio or television reception, which can be determined by turning the equipment off and on, the user is encouraged to try to correct the interference by one or more of the following measures:

- Reorient or relocate the receiving antenna.
- Increase the separation between the equipment and receiver.
- Connect the equipment into an outlet on a circuit different from that to which the receiver is connected.
- Consult the dealer or an experienced radio/TV technician for help.

**SEE OTHER SIDE FOR SPANISH TRANSLATIONS.  
VEA EL OTRO LADO DE TRADUCCIONES AL ESPAÑOL.**