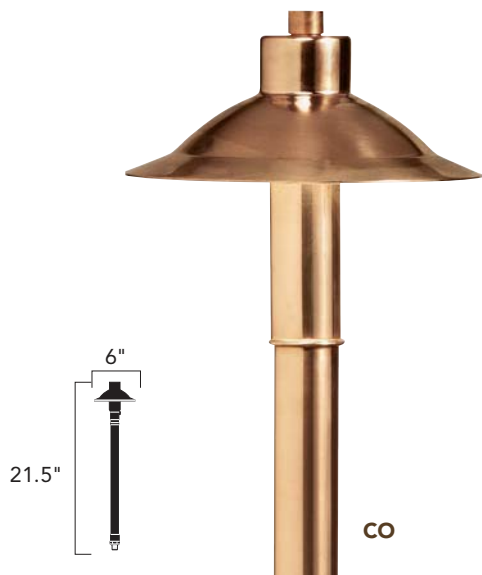
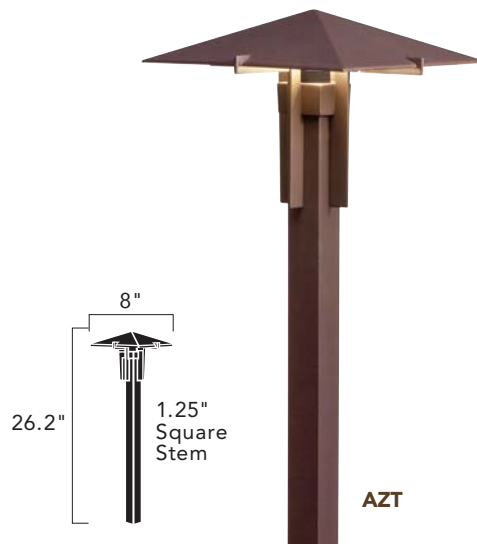


COPPER HAT



FORGED



15850 CO

15803 AZT

Kelvin	2700K – Warm White	3000K – Pure White	2700K – Warm White	3000K – Pure White																	
Ordering Guide & Finish	15850 CO27R	15850 CO30R	15803 AZT27R	15803 AZT30R																	
Housing	Copper (copper will naturally patina over time)		Cast Aluminum																		
Light Source	8 Integrated High Output Nichia® LEDs, tightly binned for color uniformity, and constant current driver		3 Integrated High Output Nichia® LEDs, tightly binned for color uniformity, and constant current driver																		
Color Temp. (CCT) & CRI	2700K (-54/+89) / 80s CRI 3000K (-52/+122) / 80s CRI		2700K (-54/+89) / 80s CRI 3000K (-52/+122) / 80s CRI																		
Power Usage at 12V AC Input VA and Watts	4.3 W, 5.8 VA		3.8 W, 4.95 VA																		
Operating Voltage Range	9V-15V AC/DC with no loss in output due to constant current technology		9V-15V AC/DC with no loss in output due to constant current technology																		
Lumen Maint.	Tested to an L-70 of 40,000 hours		Tested to an L-70 of 40,000 hours																		
Delivered Lumens & Efficacy	2700K = 294 Lm 2700K = 67 Lm/W	3000K = 302 Lm 3000K = 73 Lm/W	2700K = 168 Lm 2700K = 46 Lm/W	3000K = 182 Lm 3000K = 49 Lm/W																	
Wiring	30" of usable #18-2, SPT-1-W leads. Cable connectors supplied.		24" of usable #18-2, SPT-1-W leads. Cable connectors supplied.																		
Mounting Access. (Included)	8" slotted in-ground stake Black/White Deflector		8" slotted in-ground stake																		
Optional Accessories	15601 – Surface Mounting Flange 15607 – Surface Mounting Bracket FM127265 – Hexcell Louver		15601 – Surface Mounting Flange 15607 – Surface Mounting Bracket																		
Incandescent	15350 – on page 104		N/A																		
Notes	Will develop a natural verdigris over time. Copper and brass will naturally patina over time.		N/A																		
Fixture Photometric (fc)*	Distance from Light	0'	1'	2'	3'	4'	5'	6'	7'	8'	Distance from Light	0'	1'	2'	3'	4'	5'	6'	7'	8'	
	Footcandles	62.50	27.50	5.60	1.40	0.42	0.18	0.10	0.06	0.05	Footcandles	6.80	5.80	2.50	0.83	0.17	0.04	0.02	0.01	0.01	
	W/Black Deflector	30.80	19.10	4.80	1.30	0.40	0.18	0.10	0.06	0.05											
	W/White Deflector	35.40	25.20	5.60	1.60	0.60	0.27	0.15	0.11	0.10											

*Values stated for 3000K. -10% for 2700K.