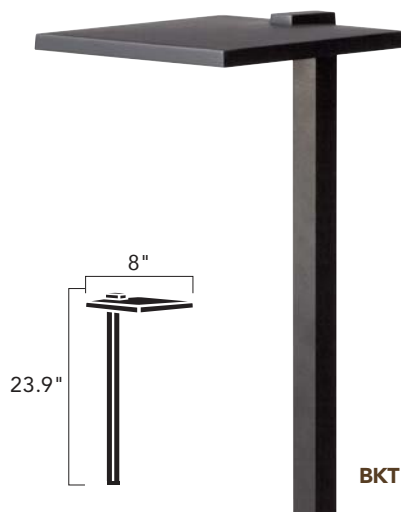


SHALLOW SHADE – SMALL



15805 BKT

SHALLOW SHADE – LARGE



15806 BKT

	15805 BKT		15806 BKT							
Kelvin	2700K – Warm White		3000K – Pure White							
Ordering Guide & Finish	15805 BKT27R		15805 BKT30R							
Housing	Cast Aluminum with cast bottom driver compartment									
Light Source	3 Integrated High Output Nichia® LEDs, tightly binned for color uniformity, and constant current driver									
Color Temp. (CCT) & CRI	2700K (-54/+89) / 80s CRI 3000K (-52/+122) / 80s CRI		2700K (-54/+89) / 80s CRI 3000K (-52/+122) / 80s CRI							
Power Usage at 12V AC Input VA and Watts	4 W, 5.8 VA		4 W, 5.8 VA							
Operating Voltage Range	9V-15V AC/DC with no loss in output due to constant current technology									
Lumen Maint.	Tested to an L-70 of 40,000 hours									
Delivered Lumens & Efficacy	2700K = 126 Lm 2700K = 31 Lm/W		3000K = 140 Lm 3000K = 35 Lm/W							
Wiring	30" of usable #18-2, SPT-1-W leads. Cable connectors supplied.									
Mounting Access. (Included)	8" slotted in-ground stake									
Optional Accessories	15601 – Surface Mounting Flange 15607 – Surface Mounting Bracket		15601 – Surface Mounting Flange 15607 – Surface Mounting Bracket							
Incandescent	N/A									
Fixture Photometric (fc)*	Distance from Light	0'	1'	2'	3'	4'	5'	6'	7'	8'
	Footcandles	21.2	12.1	5.3	1.56	.23	.33	.11	.06	-
Fixture Photometric (fc)*	Distance from Light	0'	1'	2'	3'	4'	5'	6'	7'	8'
	Footcandles	20.7	11.1	4.8	1.56	0.55	0.33	0.11	0.06	-

\*Values stated for 3000K. -10% for 2700K.