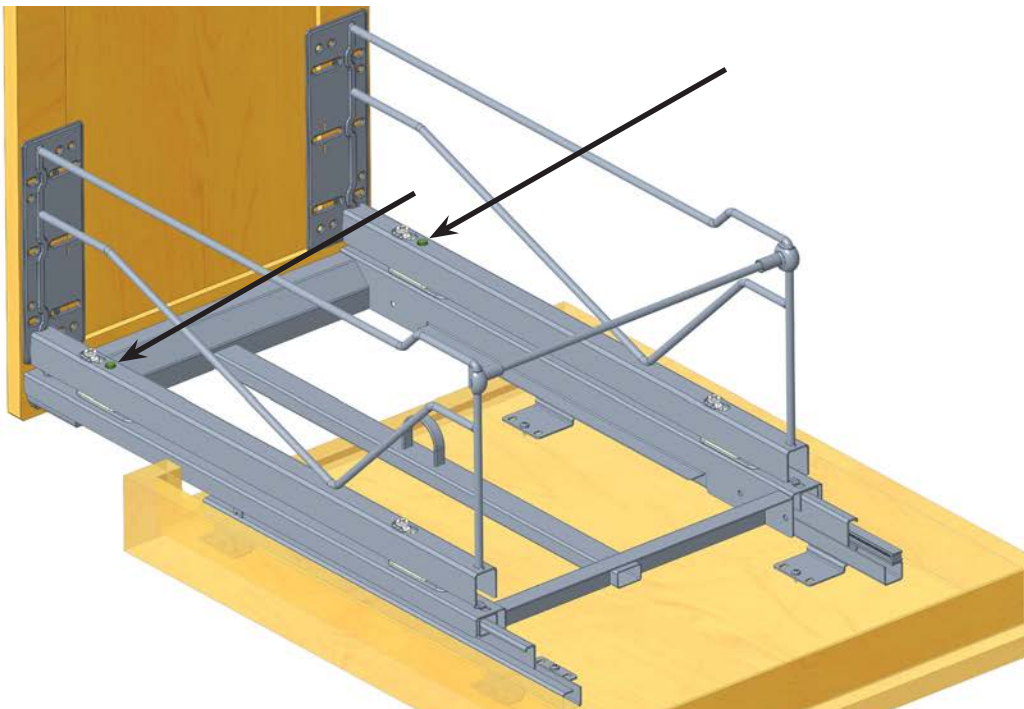
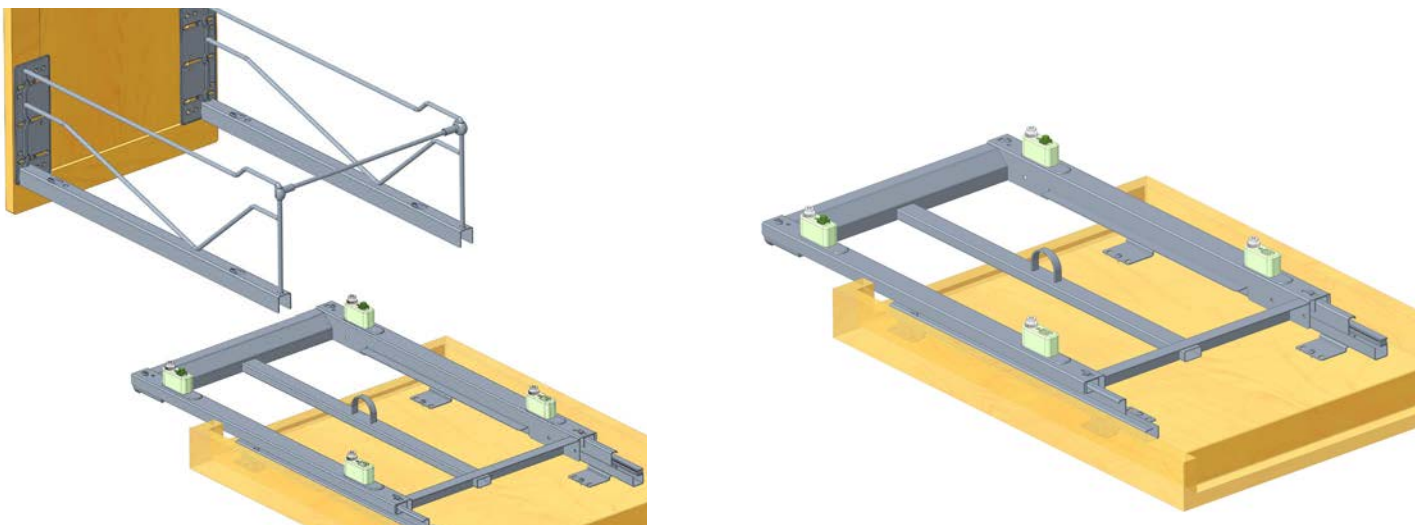


WASTEBIN PULLOUT (REPLACING THE UNDER-MOUNT RUNNER)

1. Open the cabinet and remove the wastebins
2. Push the green buttons at the bottom of the frame and pull / punch the door forward to open the ClickFiXx connection



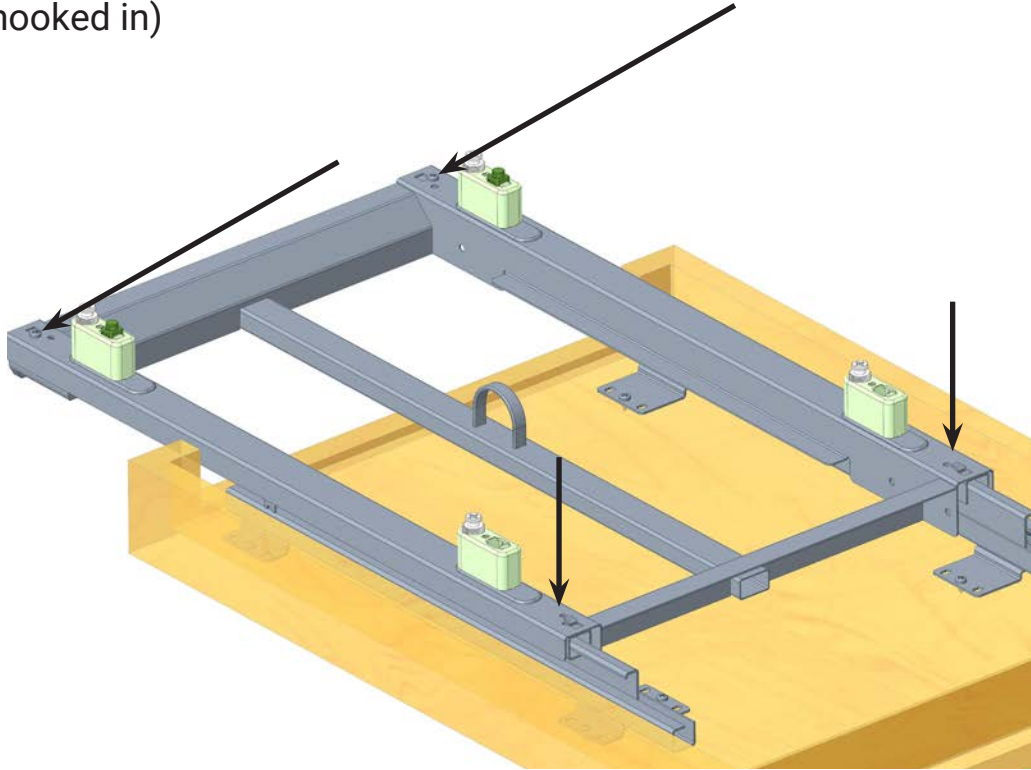
3. Remove the complete door-rail-unit (don't remove or loosen any door mounting screws)



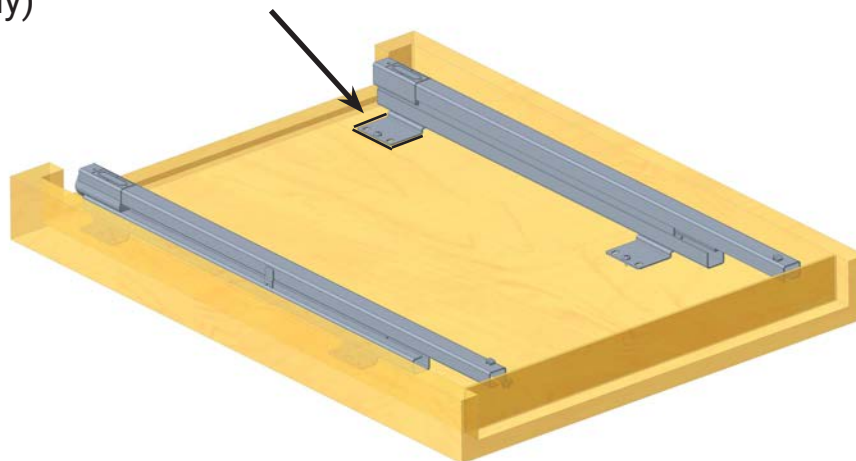


KESSEBÖHMER
CLEVER STORAGE

4. Dismount the two front screws and remove the frame (at the rear frame is just hooked in)



5. Replace the runners
(Mark the old runner positions with a pen around the brackets first and place the new ones accordingly)



6. Assemble the unit in reverse order. While installing the bottom frame make sure it's hooked-in at the rear side. Place the door-rail-unit on top of the four ClickFixx bolts and move the door-unit against the bottom frame until the green bolts are locked