

MODEL: 90906BRZ

ASSEMBLY INSTRUCTIONS

READ AND SAVE THESE INSTRUCTIONS

TOOLS

YOU WILL NEED THE FOLLOWING TOOLS OR EQUIPMENT:
LADDER, SCREWDRIVER, ADJUSTABLE WRENCH, WIRE
CUTTERS AND PLIERS.

UNPACK THE FIXTURE

YOU SHOULD HAVE RECEIVED THE FOLLOWING:
CANOPY WITH SOCKET ASSEMBLY, NIPPLE SLEEVE, CAP,
STABILIZER, (2) NUTS, GLASS SHADE, DECORATIVE TWIGS,
FINIAL, MOUNTING HARDWARE PACKAGE. TO PROTECT THE
FINISH, PLACE ALL PARTS ON A SOFT SURFACE.

MOUNTING HARDWARE PACKAGE:

CROSSBAR, (4) 8-32 x 1-1/4" SCREWS, (3) WIRE
CONNECTORS, GREEN GROUND SCREW AND (2) BALL
FINIALS.

FIXTURE ASSEMBLY

1. CAREFULLY UNPACK AND PLACE ALL PARTS ON A
SMOOTH, FLAT SURFACE, LINE UP ALL OF THE PARTS
ACCORDING TO ASSEMBLY DIAGRAM.

****STOP** COMPLETE INSTALLATION INSTRUCTIONS
ON NEXT PAGE BEFORE PROCEEDING.**

FINAL ASSEMBLY

1. INSTALL A 60 WATT MAX. MEDIUM BASE TYPE "A"
BULB (NOT INCLUDED) INTO EACH SOCKET.

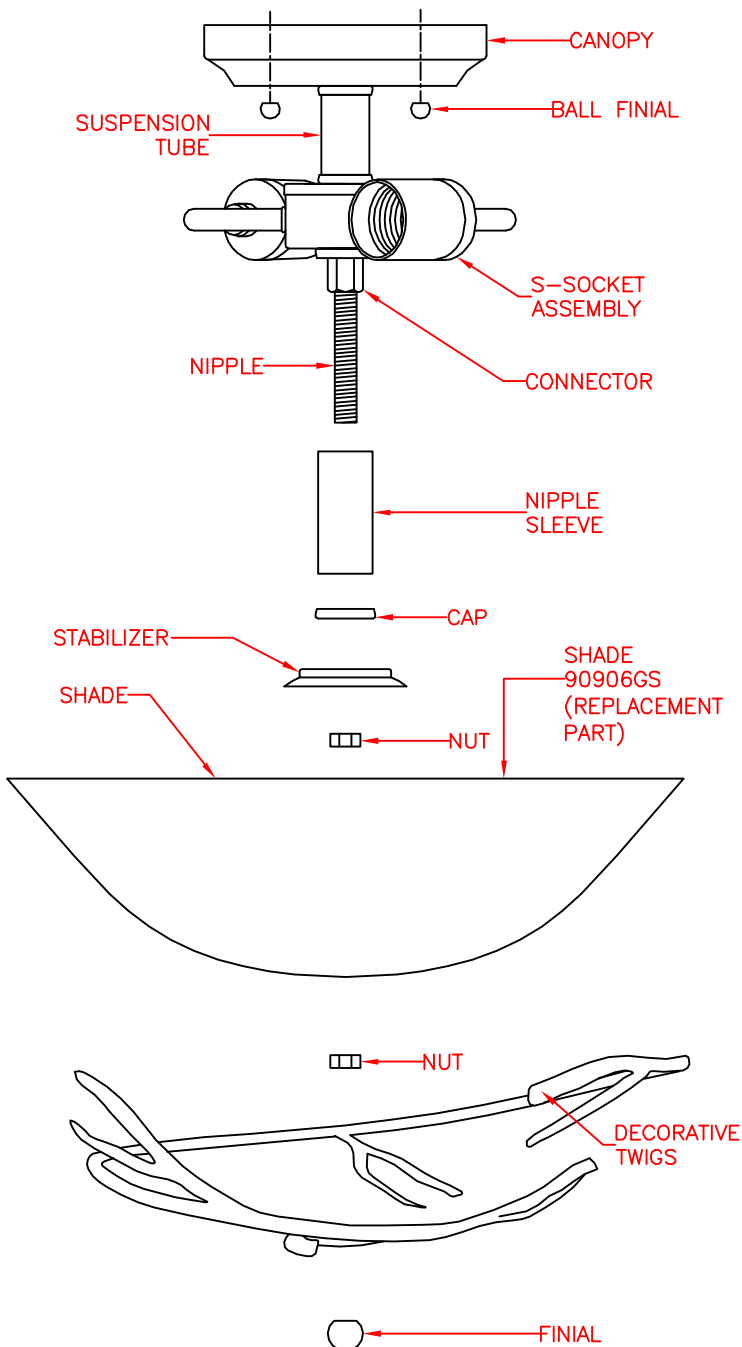
2. SLIDE NIPPLE SLEEVE, CAP, STABILIZER OVER NIPPLE
AND SECURE WITH A NUT.

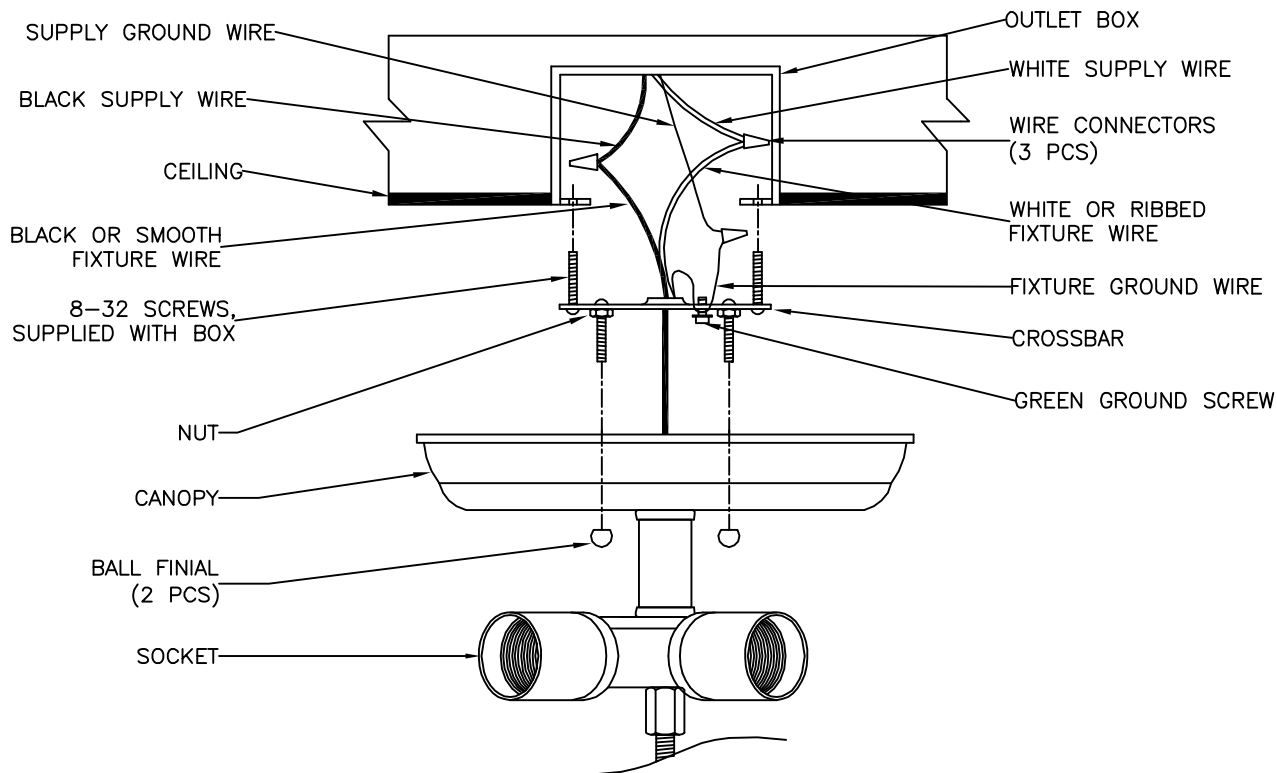
3. RAISE GLASS SHADE OVER THE NIPPLE AND SECURE
WITH A NUT.

4. PLACE DECORATIVE TWIGS OVER END OF THE NIPPLE
AND SECURE WITH FINIAL.

5. RESTORE POWER. YOUR FIXTURE IS NOW READY TO
USE.

AVAILABLE PART IS:
90906GS (SHADE)





READ AND SAVE THESE INSTRUCTIONS

INSTALLATION INSTRUCTIONS

CAUTION: TO AVOID POSSIBLE ELECTRIC SHOCK, MAKE SURE THE ELECTRICITY IS SHUT OFF AT THE MAIN PANEL. IF YOU ARE REPLACING AN EXISTING FIXTURE, FIRST TURN THE FIXTURE OFF. NEXT, TURN THE WALL SWITCH OFF. FINALLY, GO TO THE MAIN FUSE OR BREAKER BOX IN YOUR HOME. TURN THE FUSE OR BREAKER TO THE OFF POSITION. SOME TYPES OF FUSES MUST BE UNSCREWED TO SHUT OFF THE POWER.

* ALL WIRING MUST BE DONE IN ACCORDANCE WITH NATIONAL AND LOCAL ELECTRIC CODES.

** IF YOU DO NOT HAVE ELECTRICAL WIRING EXPERIENCE, HAVE YOUR FIXTURE INSTALLED BY A QUALIFIED LICENSED ELECTRICIAN.

*** THIS FIXTURE IS TO BE MOUNTED TO A UL LISTED OUTLET BOX CAPABLE OF SUPPORTING THE WEIGHT OF THIS FIXTURE. THE OUTLET BOX MUST BE DIRECTLY SUPPORTED BY THE BUILDING STRUCTURE.

INSTALL THE FIXTURE

1. INSERT SCREWS INTO CROSSBAR TO LINE UP WITH HOLES IN CANOPY. ATTACH CROSSBAR TO OUTLET BOX USING TWO SCREWS PROVIDED WITH THE OUTLET BOX. (NOTE: IF THE SCREWS WITH THE OUTLET BOX ARE TOO SHORT, USE THE (2) 8-32 x 1 1/4" SCREWS PROVIDED IN THE MOUNTING HARDWARE PACKAGE).

2. CONNECT THE WHITE OR RIBBED FIXTURE WIRE TO THE WHITE SUPPLY WIRE IN THE OUTLET BOX USING THE TWIST-ON WIRE CONNECTOR PROVIDED. CONNECT THE BLACK OR SMOOTH FIXTURE WIRE TO THE BLACK SUPPLY WIRE IN THE SAME MANNER. INSTALL THE FIXTURE GROUND WIRE UNDER THE GREEN GROUND SCREW ON THE CROSSBAR THEN CONNECT THE FIXTURE GROUND WIRE TO THE SUPPLY GROUND WIRE IN THE OUTLET BOX USING THE TWIST-ON WIRE CONNECTOR PROVIDED.

3. RAISE CANOPY TO THE CEILING AND CAREFULLY TUCK THE WIRES INSIDE THE OUTLET BOX. SPREAD THE ELECTRICAL SPLICES SO THAT THE BLACK WIRES ARE ON ONE SIDE OF THE OUTLET BOX AND THE WHITE WIRES ARE ON THE OTHER SIDE. LINE UP SCREWS WITH HOLES IN SIDES OF CEILING PAN AND SECURE WITH BALL FINIALS.

4. SEE PREVIOUS PAGE FOR FINAL ASSEMBLY INSTRUCTIONS.

