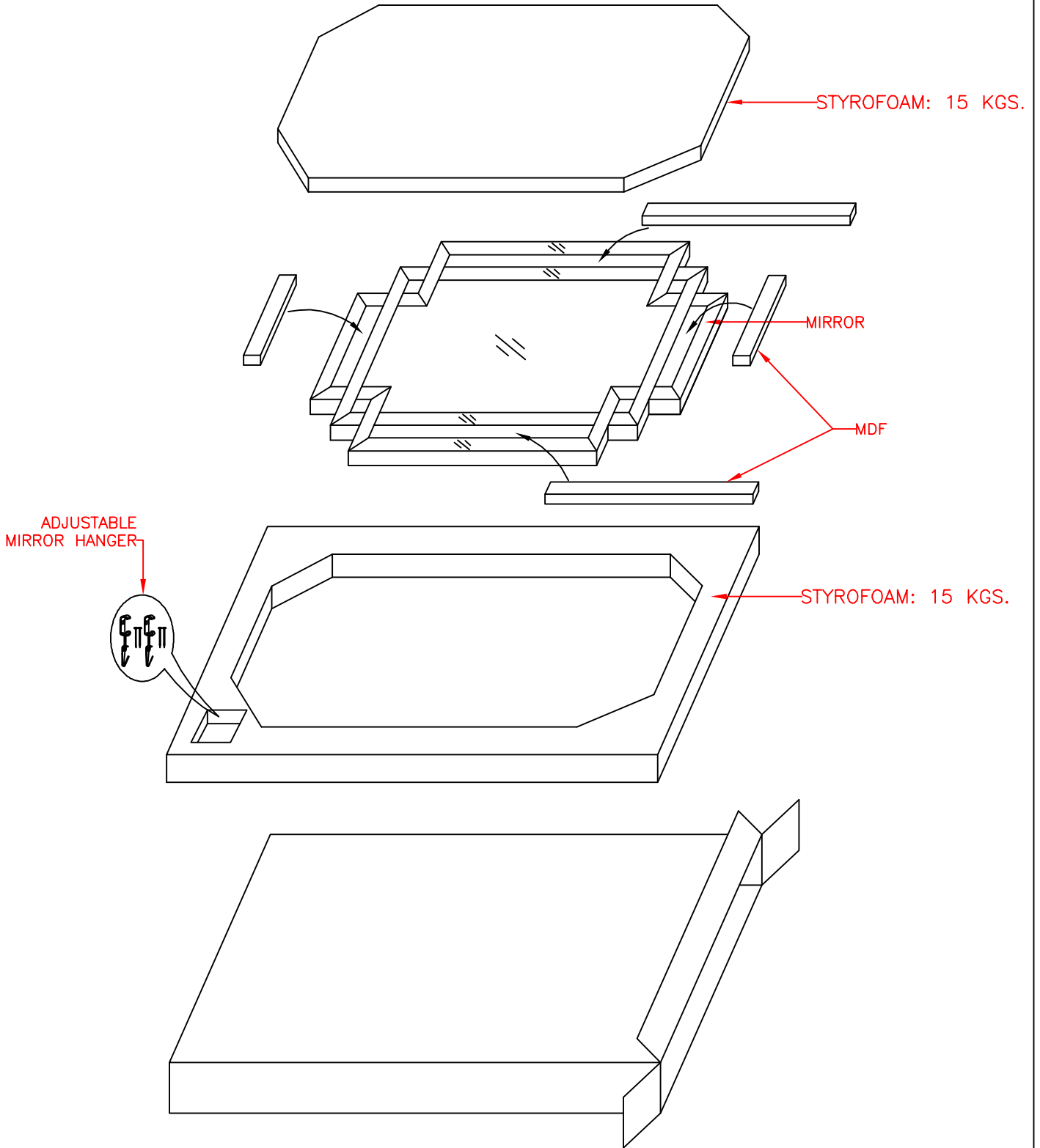
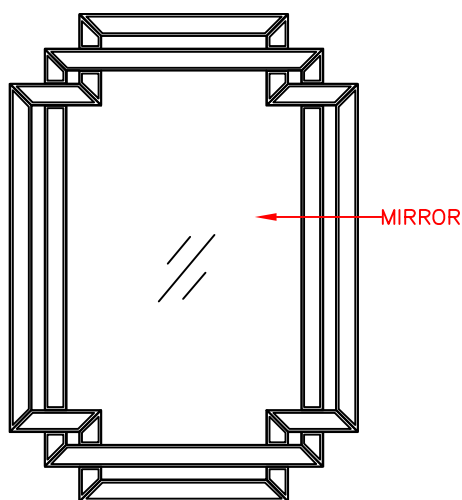


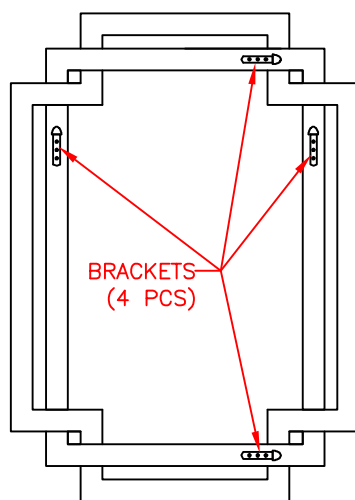
MODEL: 60422

PACKING DIAGRAM





FRONT VIEW:



BACK VIEW:

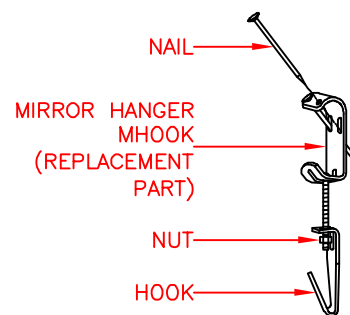


FIG. 1

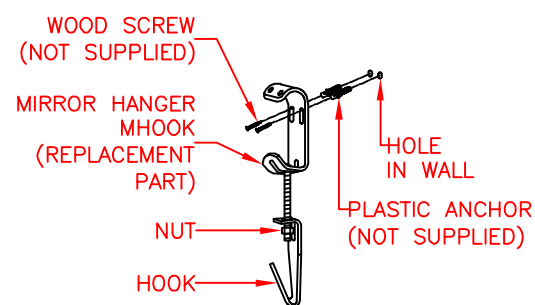


FIG. 2

**AVAILABLE PART IS:
MHOOK (MIRROR HANGER)**

ASSEMBLY INSTRUCTIONS

READ AND SAVE THESE INSTRUCTIONS

UNPACK THE MIRROR

YOU SHOULD HAVE RECEIVED THE FOLLOWING PARTS IN THE PACKAGE: MIRROR, (2) MIRROR HANGERS AND (4) NAILS, TO PROTECT THE FINISH, PLACE THE MIRROR ON A SOFT SURFACE.

MOUNT THE MIRROR

1. THIS MIRROR CAN BE MOUNTED VERTICALLY OR HORIZONTALLY. MEASURE THE DISTANCE BETWEEN THE BRACKETS THAT WILL BE USED TO HANG THE MIRROR.

2. PLACE THE MIRROR HANGERS TO THE WALL IN DESIRED LOCATION, MARK SPOTS ON THE WALL.

IF FASTENING THE MIRROR HANGERS TO STUDS, PLEASE SEE BELOW:

3A. SECURE THE (2) MIRROR HANGERS TO WALL WITH (4) SUPPLIED NAILS. (SEE FIG. 1)

IF FASTENING THE MIRROR HANGERS TO DRYWALL, PLEASE SEE BELOW:

3B. DRILL PILOT HOLES ON THE MARKED SPOTS AND INSERT (4) PLASTIC ANCHORS (NOT SUPPLIED). (SEE FIG. 2)

3C. SECURE THE (2) MIRROR HANGERS TO WALL WITH (4) WOOD SCREWS (NOT SUPPLIED). (SEE FIG. 2)

4. HANG MIRROR TO WALL BY ATTACHING THE HOOKS TO BRACKETS.

5. ADJUST THE NUTS ON THE MIRROR HANGERS TO MAKE SURE THE MIRROR IS LEVEL.