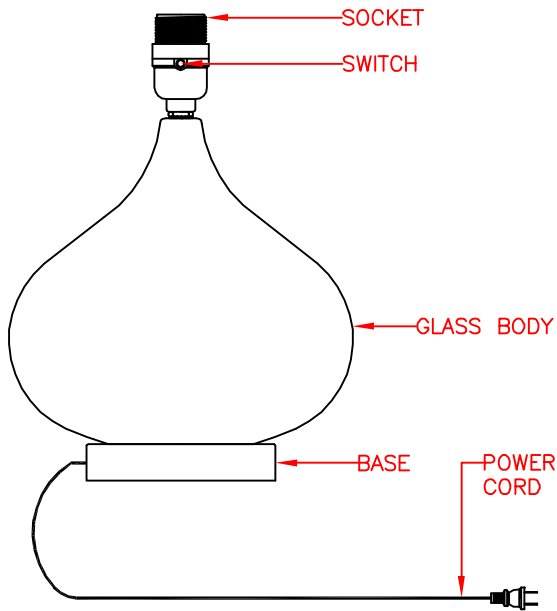
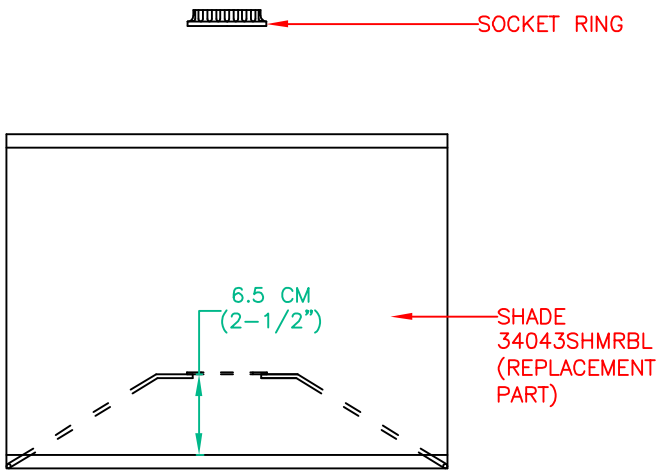


PRODUCT SPECIFICATIONS

- OVERALL ASSEMBLED DIMENSIONS**
HEIGHT: 47 CM (18-1/2"), WIDTH: 30.5 CM (12") DIA.
- 1 LIGHT:** UL LISTED, 120V, 60HZ, 60 WATT, MEDIUM BASE E-26 PHENOLIC SOCKET. ON/OFF ROTARY SWITCH. BLACK PLASTIC SOCKET INCLUDED.
- SHADE:** GRAY SILK INSPIRED DRUM SHADE, 30.5 CM (12") DIA. x 22.8 CM (9") HEIGHT. THE SPIDER DIAMETER IS NOT LESS THAN ϕ 3.5 MM. THE SHADE FABRIC CONTENT: 30% COTTON AND 70% TERYLENE.
- GLASS BODY:** PAINTED GLASS IN MARBLE TEXTURED FINISH, 23.7 CM (9-5/16") DIA. MAX. x 29.5 CM (11-5/8") HEIGHT. SHAPED AS SHOWN.
- BASE:** PLATED STEEL IN BRUSHED STEEL FINISH, 13 CM (5-1/8") DIA. x 2.5 CM (1") HEIGHT. FELT PAD COVERS ENTIRE BOTTOM OF BASE.
- CORD:** UL LISTED, MIN 183 CM (6 FT.) LENGTH, 18 AWG., 2 CONDUCTORS, 105°C, TYPE SPT-2, SILVER/CLEAR COLOR, COPPER MATERIAL, PLATED SILVER. WIRES MUST BE LEAD FREE.
- LABELS:** UL AND CSA OR CUL, MANUFACTURING DATE, MODEL # AND COUNTRY OF ORIGIN LABEL PROVIDED. RELAMPING LABEL FOR 60 WATT MAX. TYPE "A" BULB PROVIDED ON SOCKET.



AVAILABLE PARTS IS:
34043SHMRBL (SHADE)

PACKAGING AND SHIPPING DETAILS

- THE LAMP IS DISASSEMBLED FOR SHIPPING. EACH PART IS CAREFULLY WRAPPED IN A PLASTIC BAG AND PLACED SECURELY IN THE INNER PACKING SO IT CAN NOT MOVE AROUND DURING SHIPPING. A SMALL BAG OF SILICA IS INCLUDED IN THE PACKAGE.
- THE CARTON IS MADE OF DOUBLE WALL, CORRUGATED CARDBOARD "A MA A". BROWN IN COLOR. THE INNER PACKING IS DIE-CUT CARDBOARD OR STYROFOAM TO PROTECT AND SECURE THE LAMP AND MUST PASS THE FEDEX AND ISTA-3A DROP TEST REQUIREMENTS.
- EACH CARTON SHALL BE PRINTED WITH A LINE DRAWING AND THE KENROY HOME NAME AND LOGO, MODEL NUMBER AND FINISH, EACH CARTON SHALL BE PROVIDED A UPC LABEL. THE UPC BAR CODE AS FOLLOWS: 053392139889.

OTHER DETAILS

- MODEL 34043MRBL INSTRUCTIONS ARE TO BE PACKED WITH EACH LAMP. INSTRUCTIONS MUST BE PRINTED CLEARLY ON QUALITY PAPER.
- ALL VISIBLE PARTS, EXCEPT SHADE, MUST MATCH LAMP FINISH UNLESS OTHERWISE SPECIFIED.
- ALL BAGS MUST BE LABELED WITH OFFICIAL "THIS BAG IS NOT A TOY" STATEMENT.
- LAMP MUST REST FLAT ON SURFACE AND NOT ROCK. LAMP MUST PASS AN 8° TILT TEST.
- ASSEMBLY TIME: 5 MINUTES.
- THE UL NUMBER IS E313718.
- DIMS OF BOX: 35.5 CM (14") LENGTH x 35.5 CM (14") WIDTH x 40.6 CM (16") HEIGHT. (CUFT.: 1.8')
- NET WEIGHT: 3.3 LBS. GROSS WEIGHT: 6.16 LBS.

KENROY HOME

3723 Regent Boulevard
JACKSONVILLE, FL. 32224
PHONE: 904-642-4340
FAX: 904-642-4150

THIS DOCUMENT AND THE INFORMATION THAT IT DISCLOSES IS THE EXCLUSIVE PROPERTY OF KENROY HOME. ANY REPRODUCTION OR USE OF THIS DRAWING IN PART OR IN WHOLE, WITHOUT THE EXPRESS CONSENT OF THE PROPRIETOR IS PROHIBITED. © 2017 KENROY HOME.

DATE: 10/24/2017

SCALE: NONE

DRAWN BY: ARVIN

REFERENCE: ANNALIE ACCENT LAMP

APPROVAL:

REVISION DATE:

MODEL #:

REVISION DATE:

34043MRBL

REVISION DATE:

FINISHES:
MARBLE TEXTURED GLASS

REVISION DATE:

PAGE: 1 OF 1