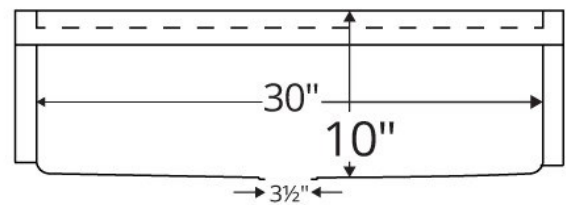
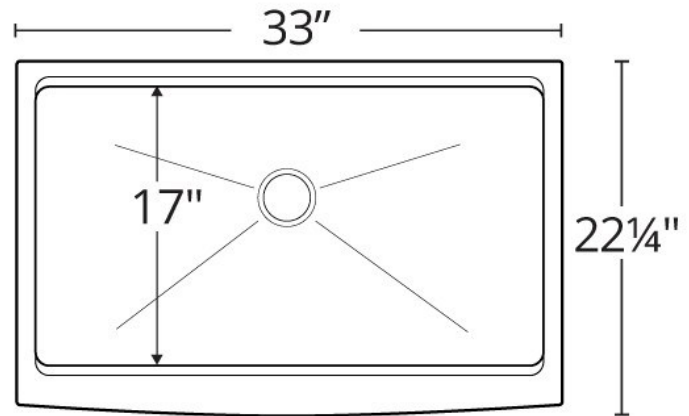


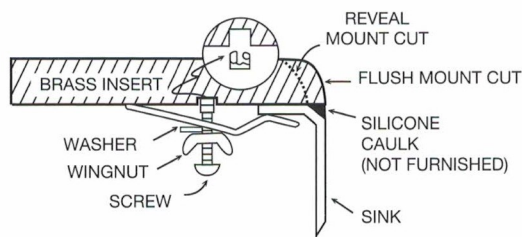
Karran Workstation Series stainless steel kitchen sinks are manufactured from durable 16 gauge stainless steel that makes them tough and resilient to even the toughest daily tasks. Each sink is finished with an elegant but durable soft satin brushed finish. This model is designed to be undermounted in all types of solid surface, granite and quartz countertops. The sink comes with a full complement of useful accessories for streamlining food prep and clean up.



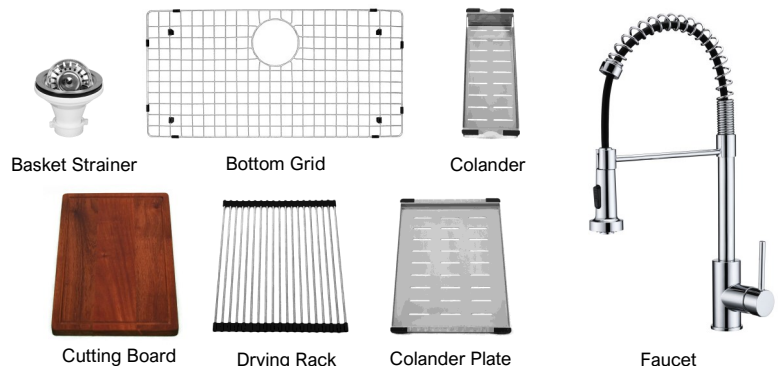
Series:	Elite Workstation Series
Material:	16 Gauge, Type 304 stainless steel
Installation Type:	Undermount
Configuration / Style:	Single bowl farmhouse workstation
Finish:	Soft satin brushed finish
Overall dimensions:	33" x 22-1/4"
Bowl dimensions:	30" x 17" x 10"
Drain size:	3-1/2"
Min. cabinet size:	33"
Template included:	Yes
Clips included:	Yes
Accessories included:	Basket strainer, bottom grid, drying rack, colander, colander plate, cutting board, faucet



INSTALLATION PROFILE



ACCESSORIES INCLUDED



PROJECT INFORMATION

PROJECT: _____

CONTACT: _____

DATE: _____

NOTES: _____

APPROVAL:

We reserve the right to update product specifications without notice. Please visit karran.com for the most current specification sheets. All dimensions are accurate to 1/4". REV 05-2022