

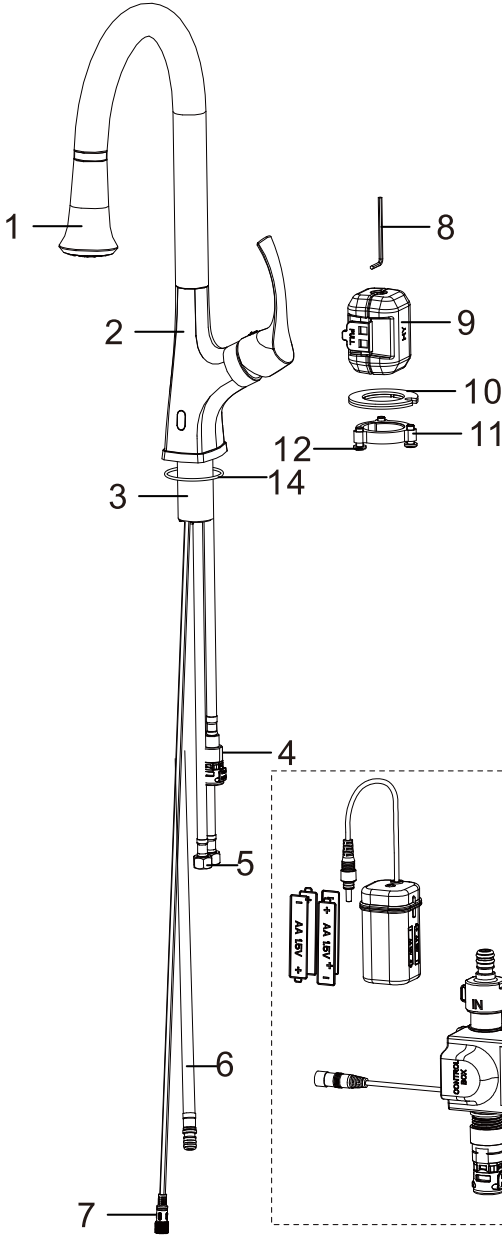
Karran[®]

INSTALLATION GUIDE

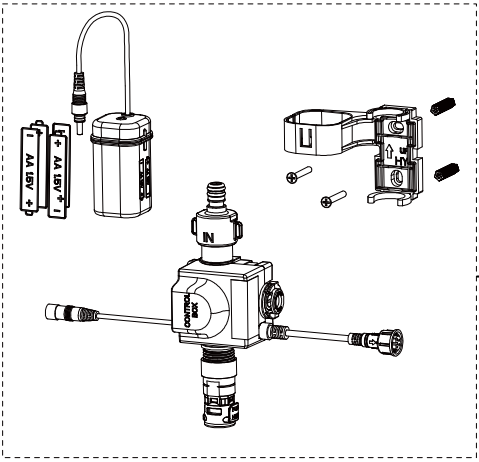


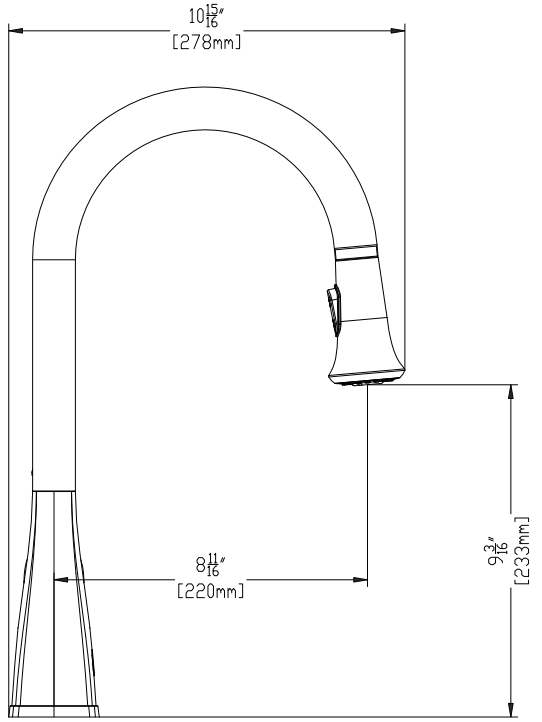
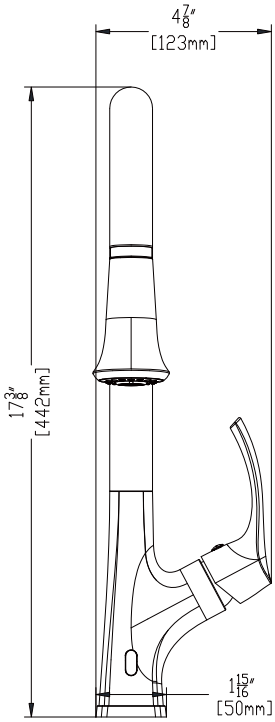
Chantilly

Models: KKF375GG KKF375MB
 KKF375SS KKF375BG



1	Spray Head
2	Faucet Body
3	Threaded Sleeve
4	Quick Connector
5	Supply Lines
6	Spray Hose
7	Sensor Line
8	Hex Wrench
9	Weight
10	Rubber & Metal Washer
11	Mounting Nut
12	Mounting Screws
13	Control Box
14	O-ring

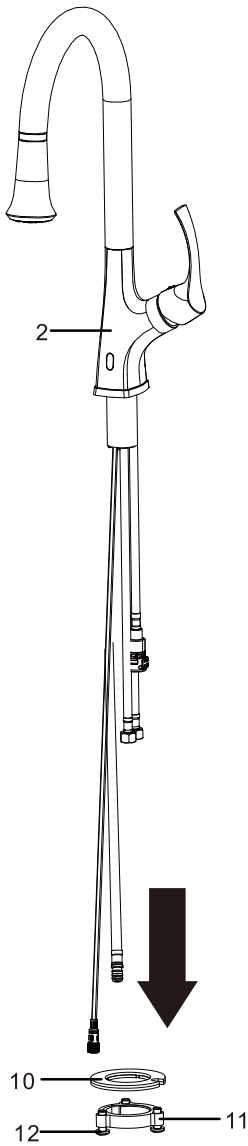




INSTALLATION GUIDE

STEP 1

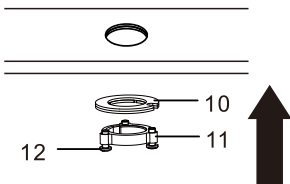
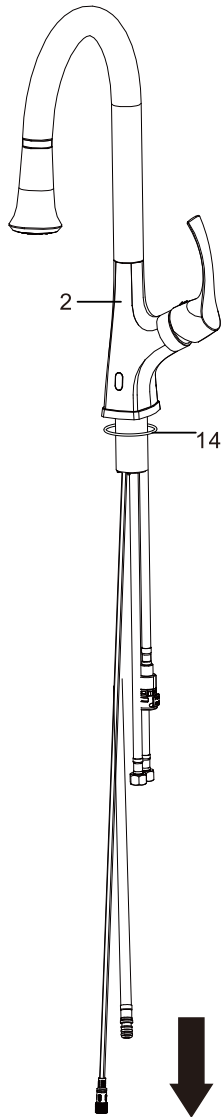
1. Remove the mounting nut (#11), rubber&metal washer (#10) from the faucet body (#2).



INSTALLATION GUIDE

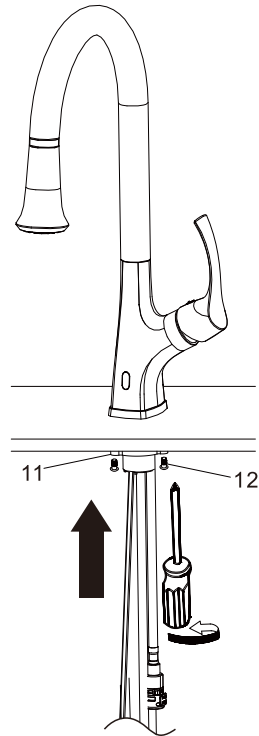
STEP 2

2. Insert the main body into the hole with the o-ring (#14), re-fix the rubber&metal washer (#10) and mounting nut (#11).

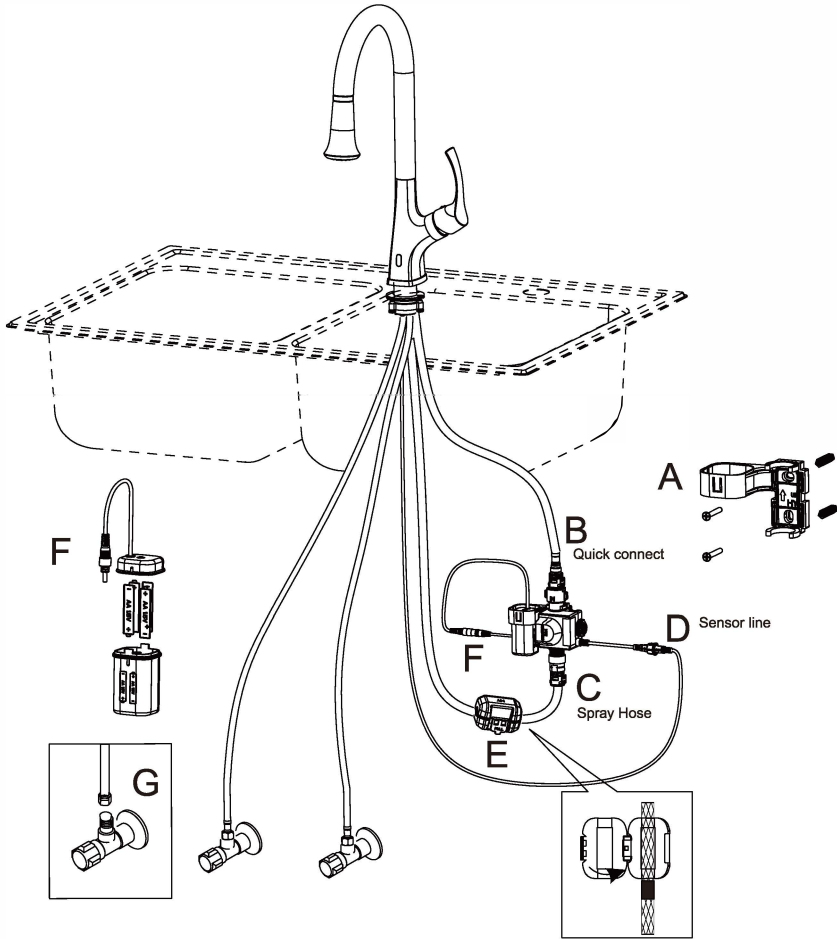


STEP 3

3. After adjusting the direction of the main body, tighten the mounting nut (#11) with hands and tighten the mounting screws (#12) with a Philips screwdriver.



INSTALLATION GUIDE



A. Fix the control box holder to the wall with the screws provided (part A in the picture). Then attached the control box to the holder.

B. Insert the quick-connect to the control box (part B in the picture).

C. Connect the spray hose to control box (part C in the picture).

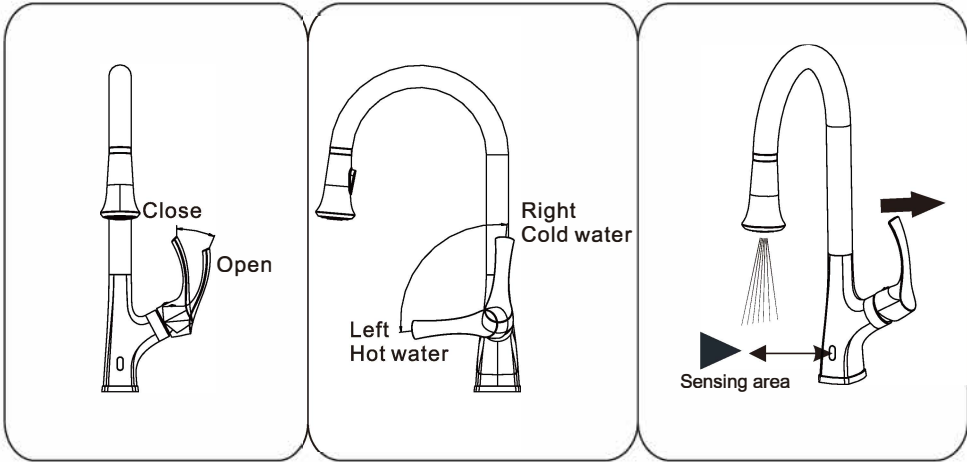
D. Connect the sensor line to control box (part D in the picture).

E. Attach the weight to the spray hose (part E in the picture).

F. Put the batteries purchased from store into the battery holder correctly. Insert the battery pack into the holder on the wall. Then connect the battery line to the control box (Part F in the picture).

G. Connect the supply lines to water supplies (Part G in the picture).

How to operate the handle:

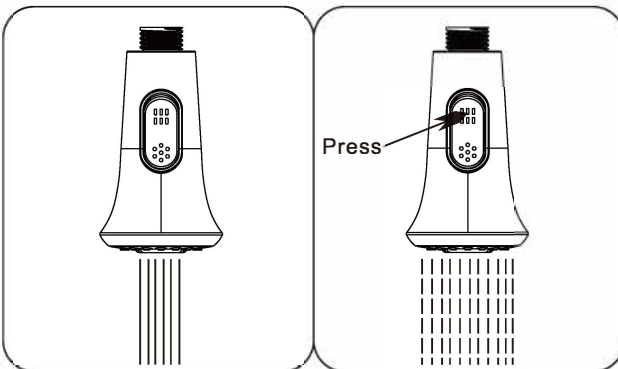


1. Open the handle lever to turn water on. Push to turn off.
2. Turn the handle lever to the left to increase hot water flow with higher water temperature. Lower the water temperature by operating reversely.

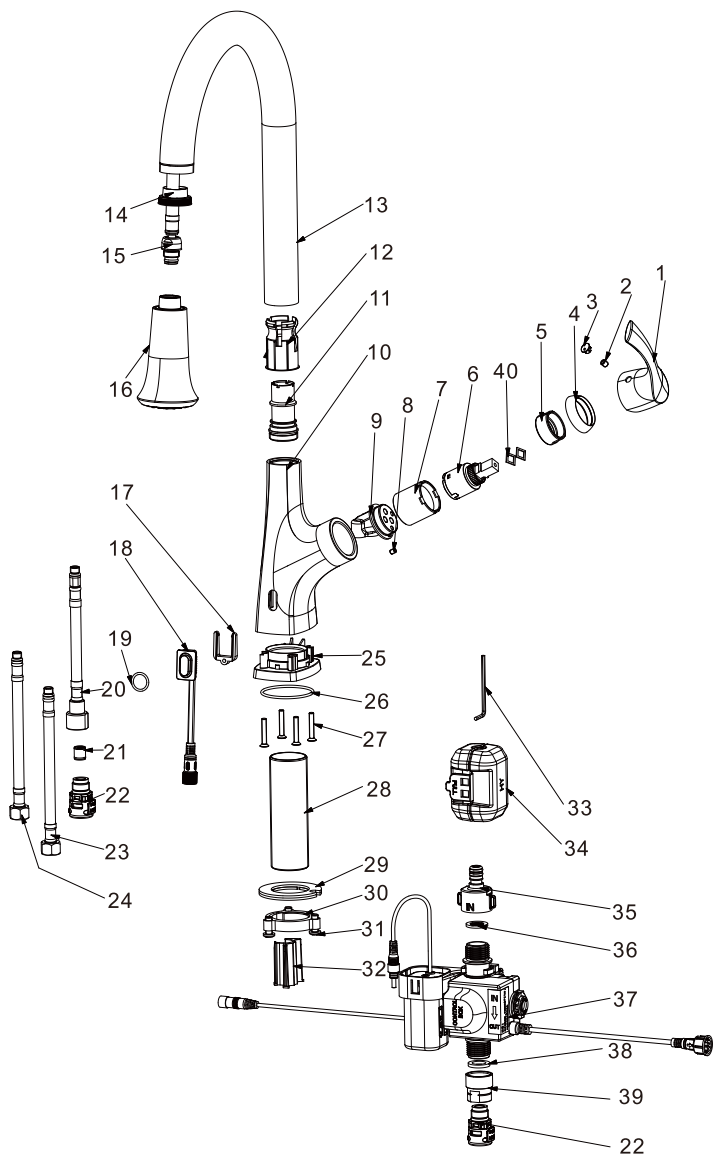
Spray

The operation of the spray diverter:

1. The default mode is aerated flow.
2. By pressing the button, it will switch to spray mode. After the faucet is closed, it will return back to aerated flow.



REPLACEMENT PARTS



No.	Description	Finish/Color	Item No.
1	Handle	GG, MB, SS, BG	50P35/VKW2
2	Screw		8EM5X5
3	Index	GG, MB, SS, BG	80N81051
4	Trim Cap	GG, MB, SS, BG	5ZG569058
5	Lock Nut		5YG569U05
6	Cartridge		J10250M200
7	Cartridge Hosing		52T569100
8	Screw		8EM4X5
9	Cartridge Seat		51T569U05DQ
10	Body	GG, MB, SS, BG	50T569U05
11	Connector		5YJ569100
12	Wear Reducing Sleeve		5SJ569100
13	Spout	GG, MB, SS, BG	50G569U05
14	Sprayer Sleeve		4SJ569178
15	Spray Hose		H569177
16	Spray	GG, MB, SS, BG	F2595B
17	Snap Ring		5SJ569X88
18	Induction Joint		7G1569X88
19	O-ring		8J168X18A
20	Hose		G15603SR00
21	Check Valve		J92031NP3
22	Quick Connector		JT56226
23	Supply Line		G69703NP01
24	Supply Line		G69703NP00
25	Base	GG, MB, SS, BG	5DZ569U05
26	O-ring		8J47X2A
27	Screw		8DM4X25A
28	Threaded Sleeve		82T16W27EC00
29	Rubber & Metal Washer		N56U26
30	Mounting Nut		8NM56Z55
31	Mounting Screw		8RM6X15
32	Pull-out Protector		7HT569149
33	Hex Wrench		8BS25
34	Weight		5QQ569113
35	Connector		A1569X88
36	Washer		8XJ1A200D
37	Control Box		DSA569X50
38	Washer		8J19X12X25A
39	Connector		7JT569X54DQ
40	Washer		8SJ10351

*Denotes faucet component color options:

GG - Gunmetal Grey
 MB - Matte Black
 SS - Stainless Steel
 BG - Brushed Gold