

# Karran<sup>®</sup>

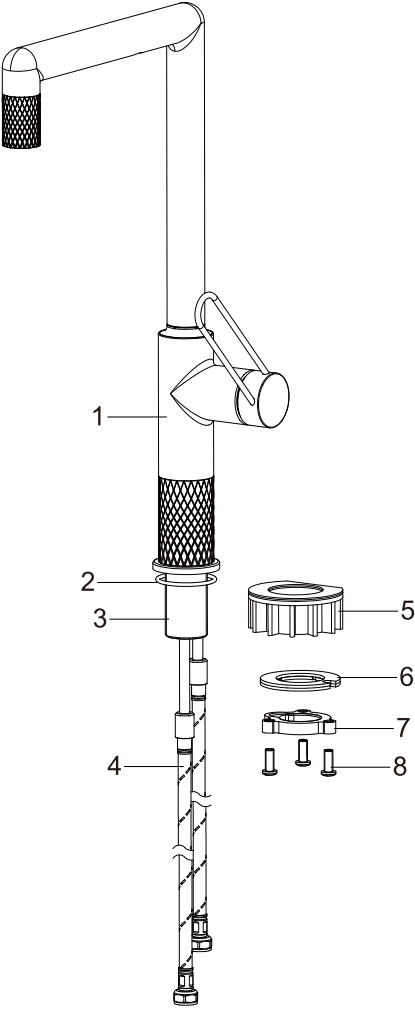
---

## INSTALLATION GUIDE

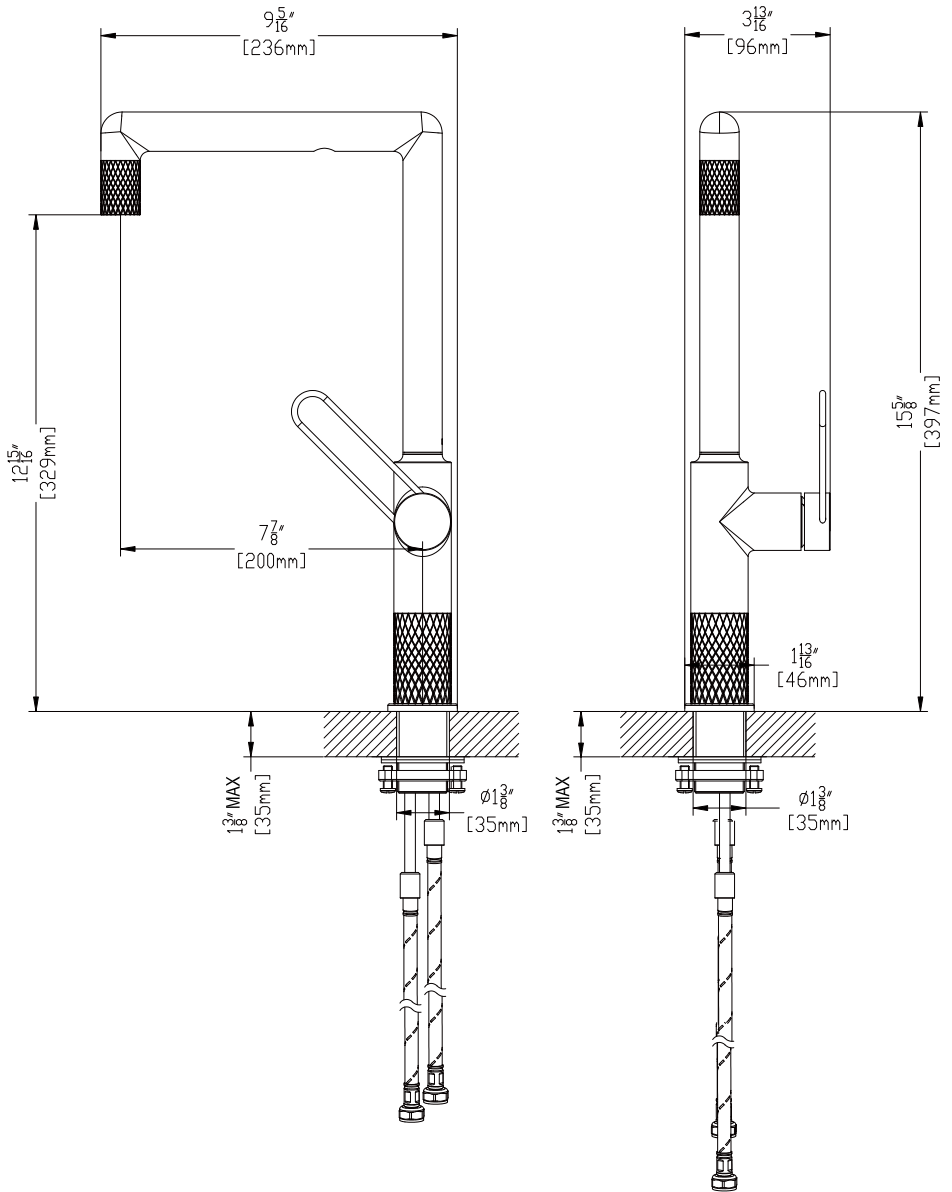


## Sherman

**Models:** KKF370GG KKF370MB  
KKF370SS

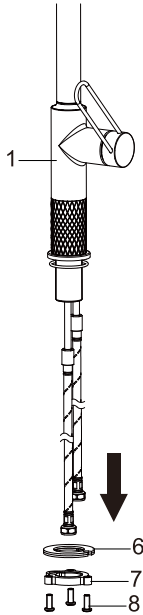


1. Faucet Body
2. O-ring
3. Threaded Sleeve
4. Supply Lines
5. Plastic Base
6. Rubber&Metal Washer
7. Mounting Nut
8. Mounting Screws



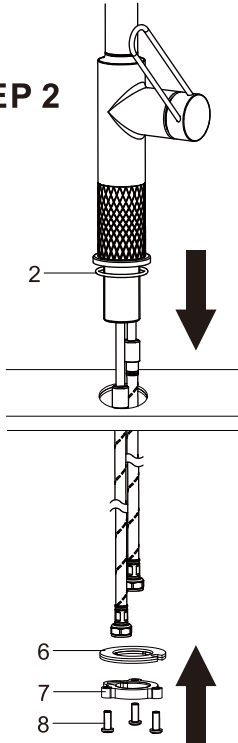
# INSTALLATION GUIDE

## STEP 1



1. Remove the mounting nut (#7), rubber&metal washer (#6) from the faucet body (#1).

## STEP 2

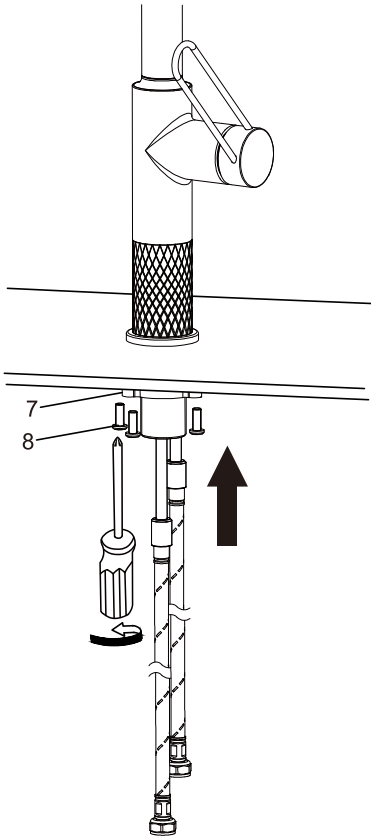


2. Insert the main body into the hole with the o-ring (#2),refix the rubber&metal washer (#6) and mounting nut (#7) from the faucet bottom.

# INSTALLATION GUIDE

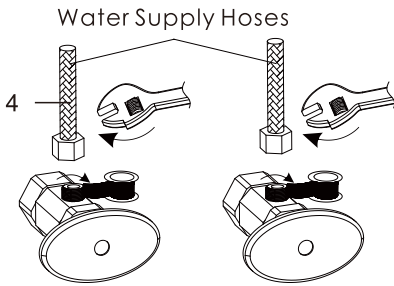
## STEP 3

3. After adjusting the direction of the main body, tighten the mounting nut (#7) with hands and tighten the mounting screws (#8) with a Philips screwdriver.

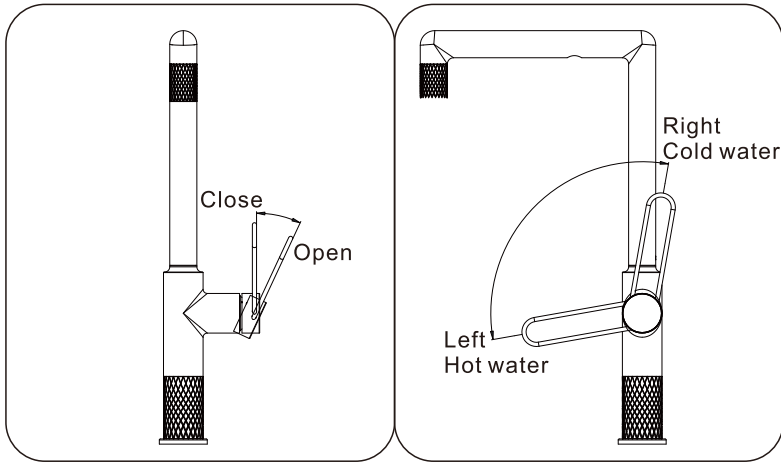


# INSTALLATION GUIDE

## STEP 4

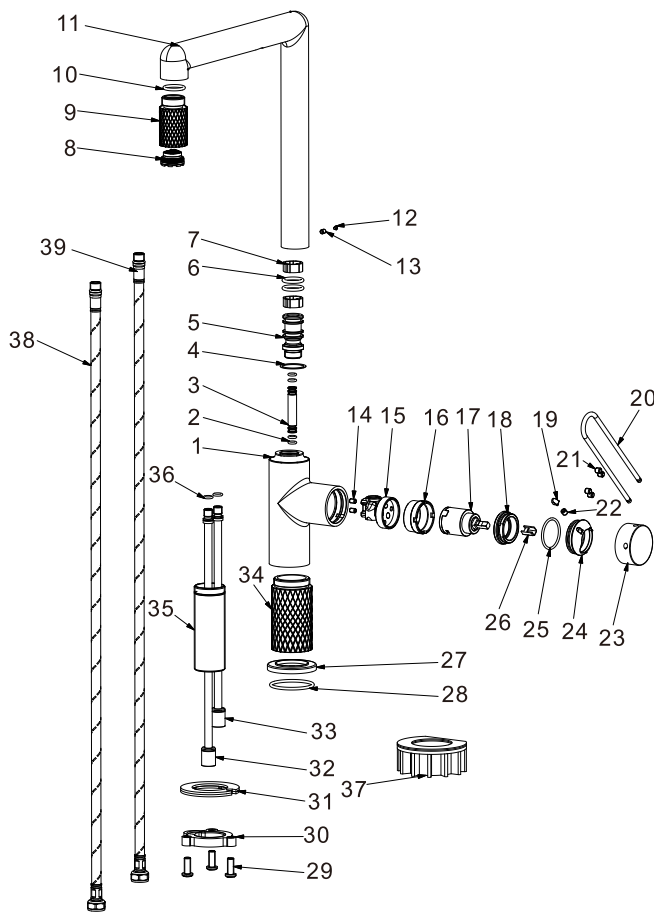


4. Apply Teflon tape onto the threads of the faucet water supplies in a clockwise direction. Tighten the water supply tubes onto the water supply shut offs. Be sure to connect the cold water supply tube to the cold water supply valve (typically on the right) and the hot water supply tube to the hot water supply valve (typically on the left). Use a wrench (as shown) to tighten the nut.

**How to operate the handle:**

1. Open the handle lever to turn water on. Push to turn off.
2. Turn the handle lever to the left to increase hot water flow with higher water temperature. Lower the water temperature by operating reversely.

# REPLACEMENT PARTS



\*Denotes faucet component color options:  
 GG - Gunmetal Grey  
 MB - Matte Black  
 SS - Stainless Steel

No.	Description	Finish/Color	Item No.
1	Body	GG,MB,SS	80T568301
2	O-ring		8J81X18A
3	Connector		8JG08043A
4	Wearing Ring		8SJ24X20X05
5	Connector		8YJ569099DQ
6	O-ring		8J205X27A
7	Holding Ring		8SJ00AJH
8	Aerator		80M21523NP04
9	Aerator Collar	GG,MB,SS	81T568301DQ
10	O-ring		8J21X25A
11	Spout	GG,MB,SS	80G568267DQ
12	Index		80N85040A
13	Screw		8EM4X5
14	Screw		8EM4X6
15	Cartridge Seat		81T569080DQ
16	Cartridge Housing		82T569080
17	Cartridge		J10250KD01
18	Lock Nut		8YG569080
19	Index		8XJ569081
20	Lever	GG,MB,SS	81P26VMT5
21	Screw		8EM5X5RB
22	Screw		8CM5X6RB
23	Handle Cap	GG,MB,SS	80P26VMT2
24	Trim Cap	GG,MB,SS	8ZG569081
25	O-ring		8J30X2A
26	Adapter		82P25VJE3
27	Base	GG,MB,SS	8DZ16328
28	O-ring		8J42X25
29	Mounting Screw		8RM6X15
30	Mounting Nut		8NM16482E
31	Rubber&Metal Washer		N56U26
32	Copper Tube		8JG07245DQ
33	Copper Tube		8JG07210DQ
34	Extended Tube	GG,MB,SS	81T168301
35	Threaded Sleeve		84T16482EEC00
36	O-ring		8J91X18A
37	Plastic Base		8DZSJ002
38	Supply Line		G21603NP01
39	Supply Line		G21603NP00