

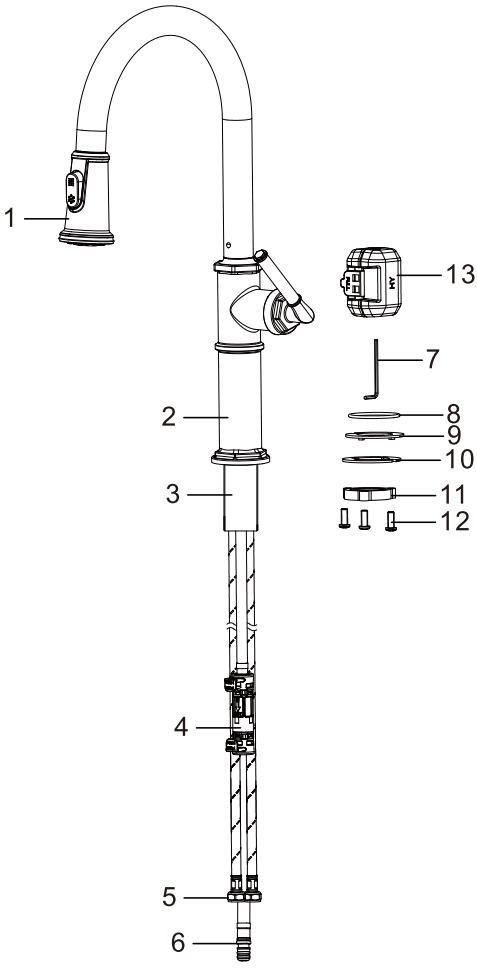
Karran[®]

INSTALLATION GUIDE

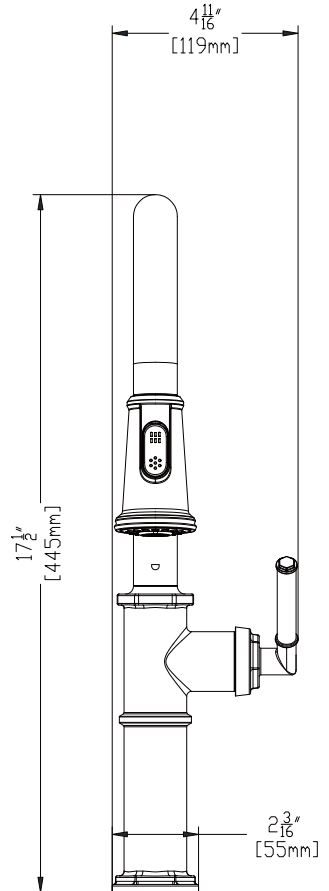
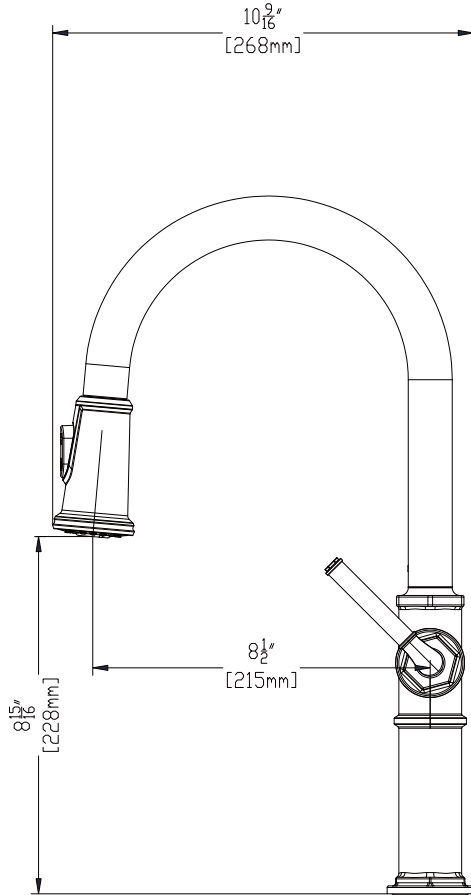


Brampton

Models: KKF365GG KKF365MB
KKF365SS

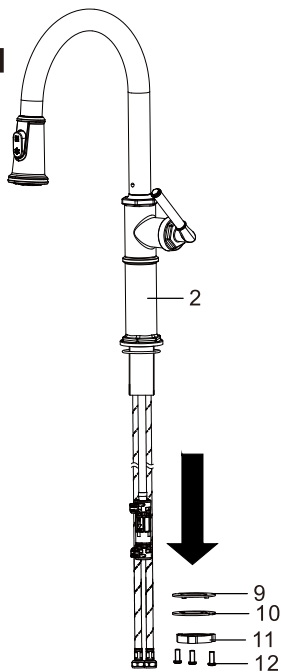


1. Spray Head
2. Faucet Body
3. Threaded Sleeve
4. Quick Connector
5. Supply Lines
6. Spray Hose
7. Hex Wrench
8. O-ring
9. Rubber Washer
10. Clamp
11. Mounting Nut
12. Mounting Screws
13. Weight



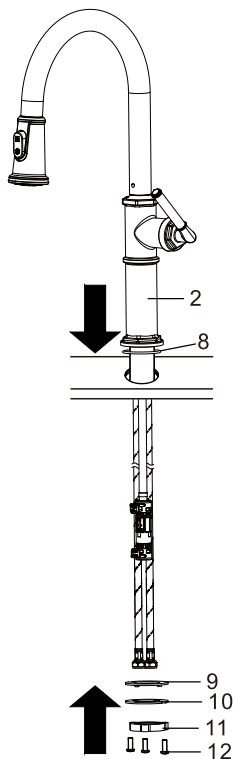
INSTALLATION GUIDE

STEP 1



1. Remove the mounting nut (#11), clamp (#10) and rubber washer (#9) from the faucet body (#2).

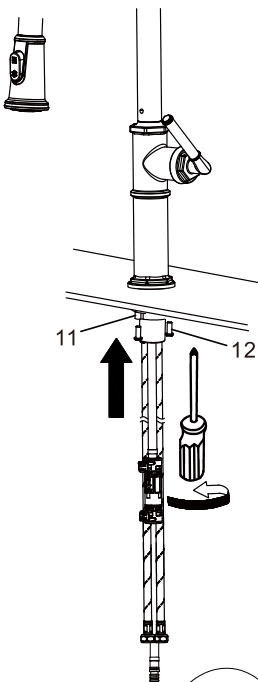
STEP 2



2. Insert the main body into the hole with the o-ring (#8), re-fix the rubber washer (#9), clamp (#10) and mounting nut (#11) from the faucet bottom.

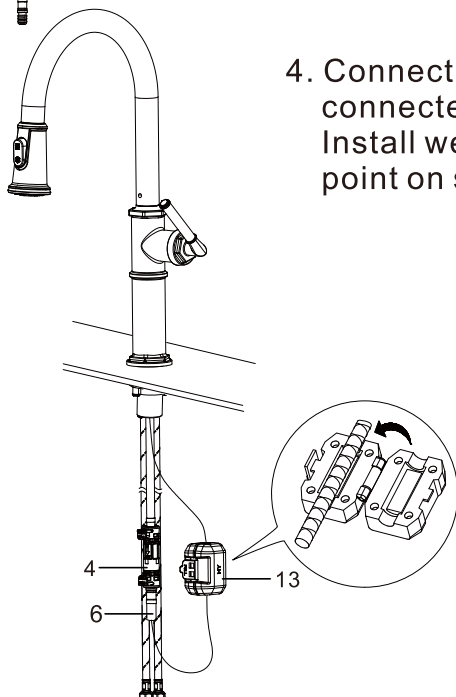
INSTALLATION GUIDE

STEP 3



3. After adjusting the direction of the main body, tighten the mounting nut (#11) with hands and tighten the mounting screws (#12) with a Philips screwdriver.

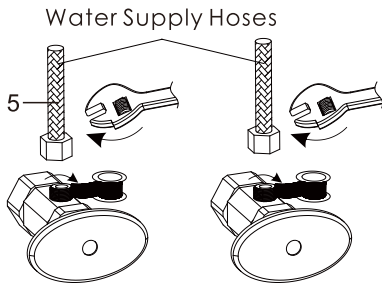
STEP 4



4. Connect spray hose (#6) to quick connector (#4) attached to supply line. Install weight (#13) on lowest vertical point on spray hose (#6).

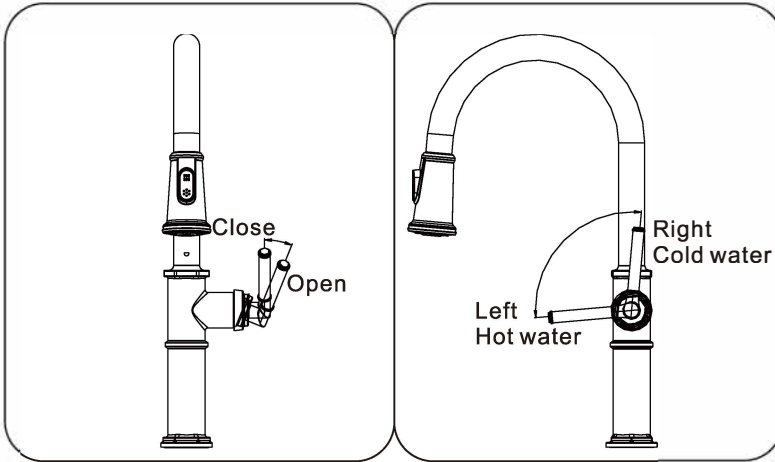
INSTALLATION GUIDE

STEP 5



5. Apply Teflon tape onto the threads of the faucet water supplies in a clockwise direction. Tighten the water supply tubes onto the water supply shut offs. Be sure to connect the cold water supply tube to the cold water supply valve (typically on the right) and the hot water supply tube to the hot water supply valve (typically on the left). Use a wrench (as shown) to tighten the nut.

How to operate the handle:

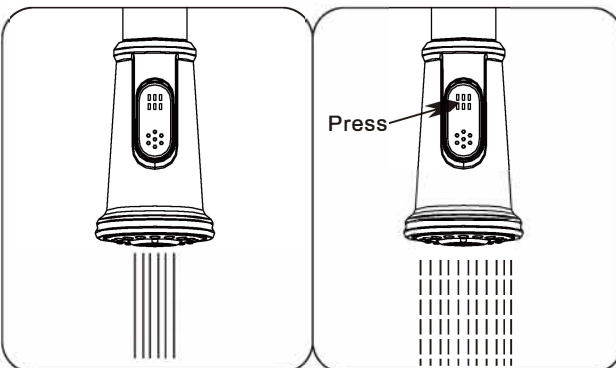


1. Open the handle lever to turn water on. Push to turn off.
2. Turn the handle lever to the left to increase hot water flow with higher water temperature. Lower the water temperature by operating reversely.

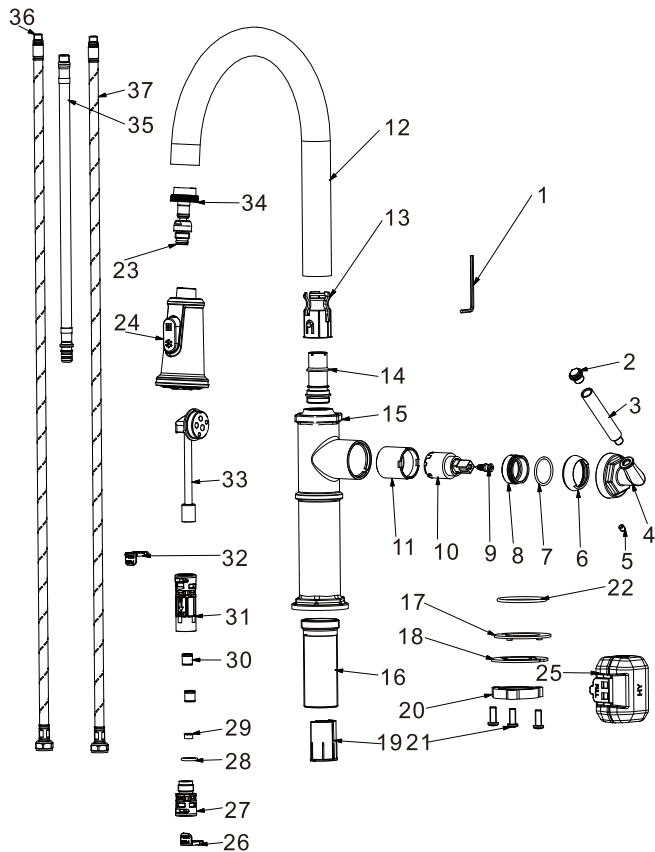
Spray

The operation of the spray diverter:

1. The default mode is aerated flow.
2. Pressing the button, it will switch to spray mode. After the faucet is switched off, it will return back to aerated flow.



REPLACEMENT PARTS



No.	Description	Finish/Color	Item No.
1	Hex Wrench		8BS25
2	Trim Cap	SS,MB,GG	52P25VGQ2
3	Lever	SS,MB,GG	51P25VZC2
4	Handle Cap	SS,MB,GG	50P25VGQ2
5	Screw		8EM5X5RC
6	Trim Cap	SS,MB,GG	5ZG569180
7	O-ring		8J28X2A
8	Lock Nut		5YG569180
9	Screw		5HM569053
10	Cartridge		J1025KS01
11	Cartridge Housing		52T569100
12	Spout	SS,MB,GG	50G569180
13	Wear Reducing Sleeve		5SJ569110
14	Connector		5YJ569110
15	Body	SS,MB,GG	50T569180
16	Threaded Sleeve		53T56407
17	Rubber Washer		81N56U26
18	Clamp		80N56U26
19	Pull-out Protector		5HT56068
20	Mounting Nut		8NM56Z55
21	Mounting Screw		8RM6X15
22	O-ring		8J49X25
23	Spray Hose		H569177
24	Spray	SS,MB,GG	F2M10
25	Weight		5QQ569113
26	Plastic Lock Ring		8SJ56226
27	Quick Connector		8JT56226
28	O-ring		8J16X22A
29	Water Saving Piece		J93081NP03
30	Non-returnable Valve		J92031NP3
31	Quick-connet ASSY		5SJ56E92
32	Plastic Lock Ring		8SJ56226B
33	Cartridge Seat		53T569121DQX
34	Sprayer Sleeve		5SJ569177
35	Hose		G67303SR00
36	Supply Line		G69703NP00
37	Supply Line		G69703NP01

*Denotes faucet component color options:

SS - Stainless Steel

MB - Matte Black

GG - Gunmetal Grey