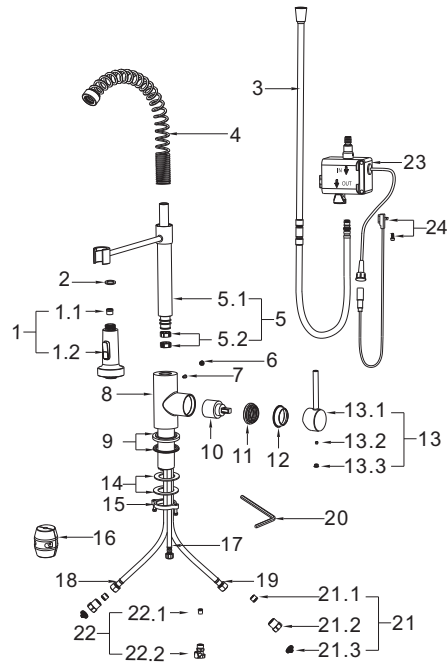


## REPLACEMENT PARTS



No.	Description	Finishes/colors	Item No.
1.	Spray Head	C, SS, MB, GG, BG	500301912**
2.	Washer		70020038930
3.	Spray Hose	C, SS, MB, GG, BG	500402277**
4.	Spring Assembly	C, SS, MB, GG, BG	500600410**
5.	Spray Support Assembly	C, SS, MB, GG, BG	400602181**
6.	Cover Button		50010103731
7.	Set Screw		50060033800
8.	Main Body	C, SS, MB, GG, BG	100300521**
9.	Base	C, SS, MB, GG, BG	500101557**
10.	35A Cartridge		20060010900
11.	Nut		40060171752
12.	Cap	C, SS, MB, GG, BG	500101172**
13.	Handle	C, SS, MB, GG, BG	200100371**
14.	Rubber & Metal Washer		70020037354
15.	Mounting Nuts & Screws		40060185018
16.	Weight		50020066800
17.	Supply Hose		50040215600
18.	Waterline		50042060021
19.	Waterline		50042060026
20.	Hex Wrench		50060003700
21.	Connector		40060128652
22.	Fast connector		50040191652
23.	DC control box		50020091800
24.	Sensor line		50020091900

\*\* Denotes faucet component color options:

C - Chrome  
 SS - Spot Free Stainless Steel  
 MB - Matte Black  
 GG - Gunmetal Gray  
 BG - Brushed Gold

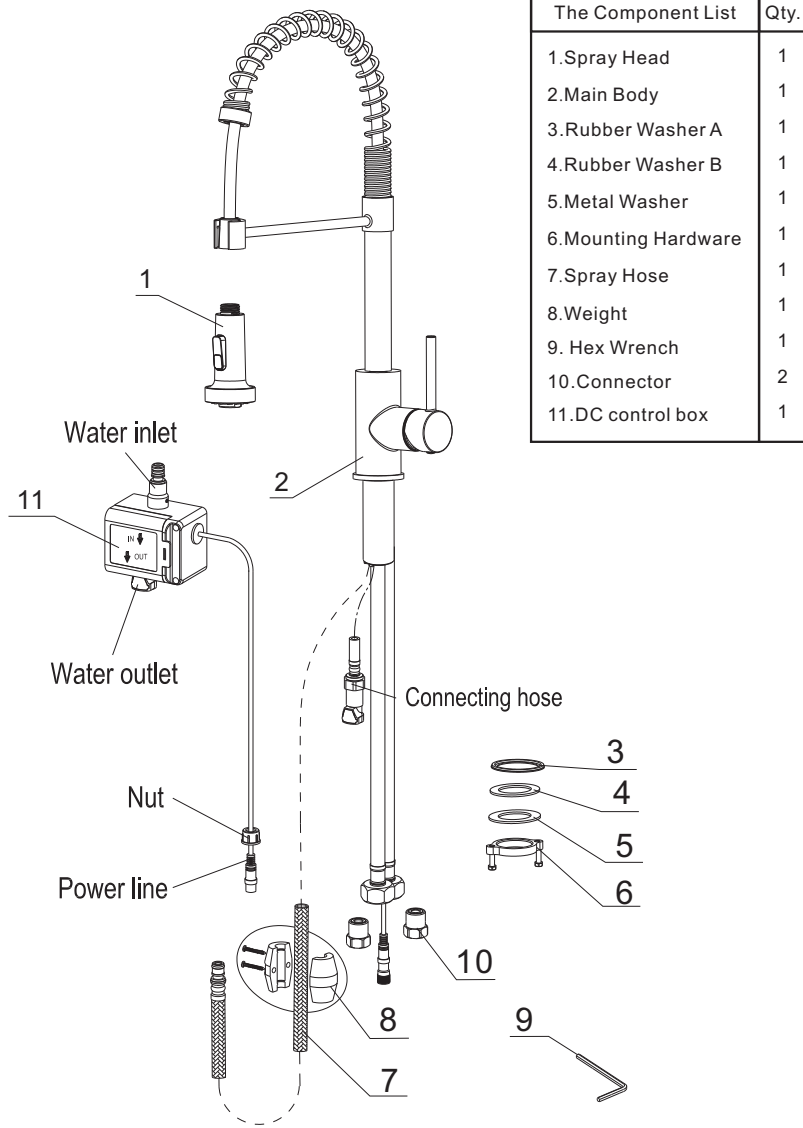
# Karran®

## INSTALLATION GUIDE



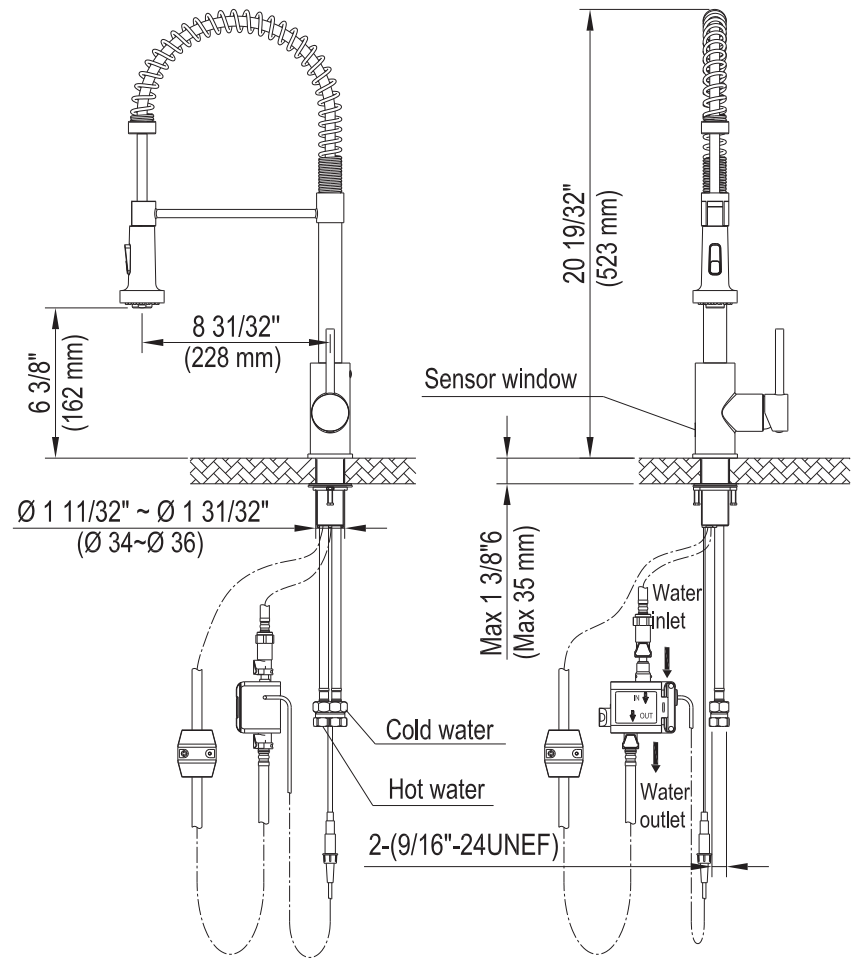
### Loxton

**Models:** KKF228C    KKF228SS  
 KKF228MB    KKF228GG  
 KKF228BG

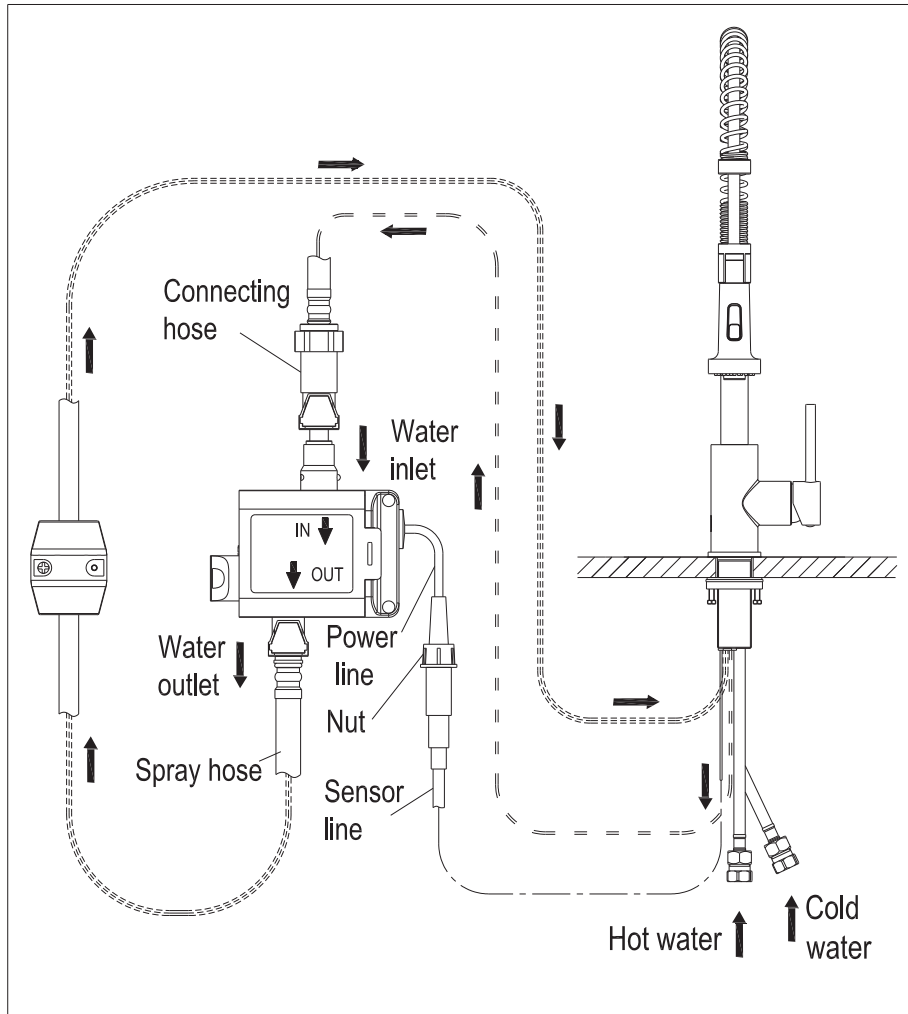


The Component List	Qty.
1.Spray Head	1
2.Main Body	1
3.Rubber Washer A	1
4.Rubber Washer B	1
5.Metal Washer	1
6.Mounting Hardware	1
7.Spray Hose	1
8.Weight	1
9. Hex Wrench	1
10.Connector	2
11.DC control box	1

①

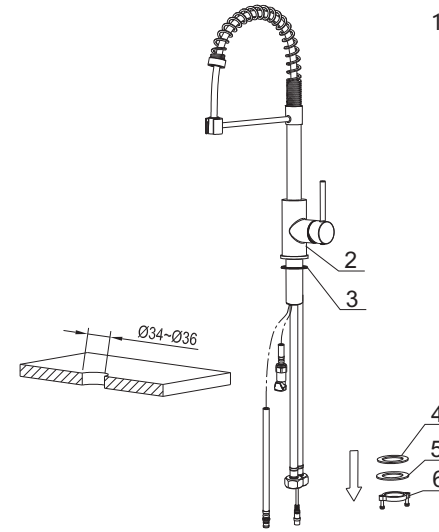


②



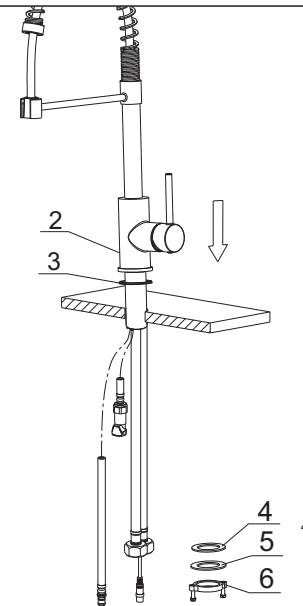
③

STEP 1



1. Remove mounting hardware(6), metal washer(5) and rubber washer B (4) from the main body (2).

STEP 2

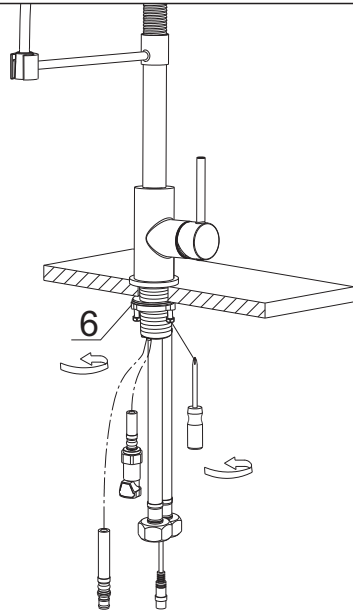


2. Insert the main body into the hole with base(12) and rubber washer A(3) . Refix the rubber washer B(4), metal washer(5), mounting hardware(6) from the bottom.

④

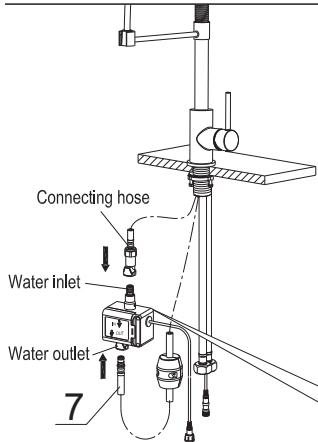
# INSTALLATION GUIDE

## STEP 3

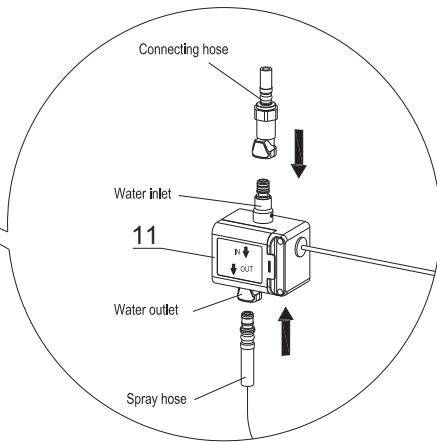


3. After adjusting the direction of the main body(2), tighten the mounting hardware (6) with hands and tighten the screws with a Philips screwdriver.

## STEP 4



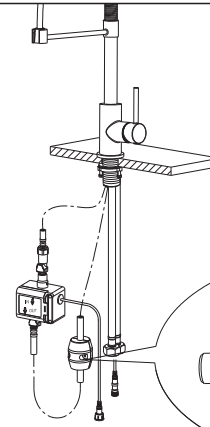
4. As shown in picture, connect the connecting hose and water inlet on the DC control box and the spray hose and water outlet on the DC control box.



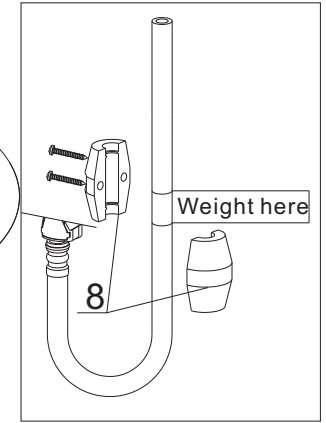
5

# INSTALLATION GUIDE

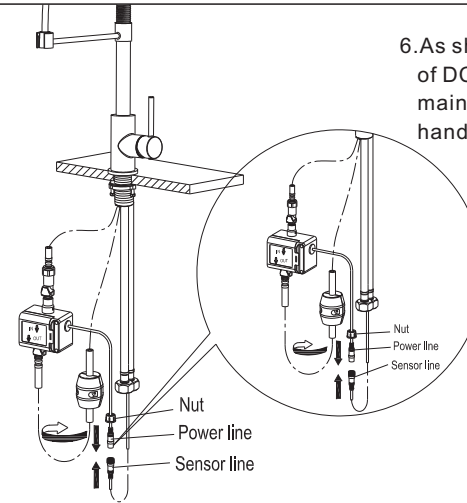
## STEP 5



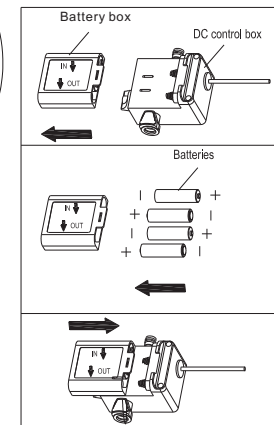
5. Fix the weight bob(8) on a suitable location of the spray hose.



## STEP 6



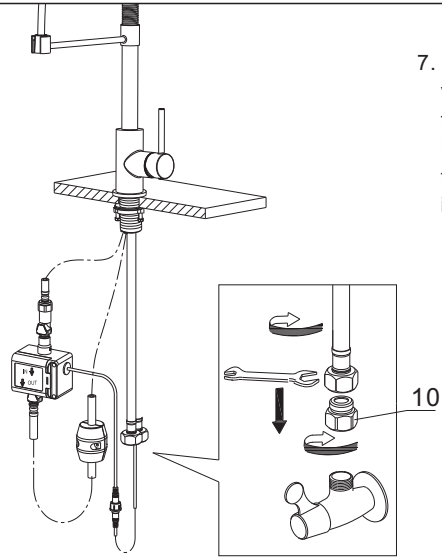
6. As shown here, connect the power line of DC control box and sensor line of the main body, and tighten the nut with hands.



6

# INSTALLATION GUIDE

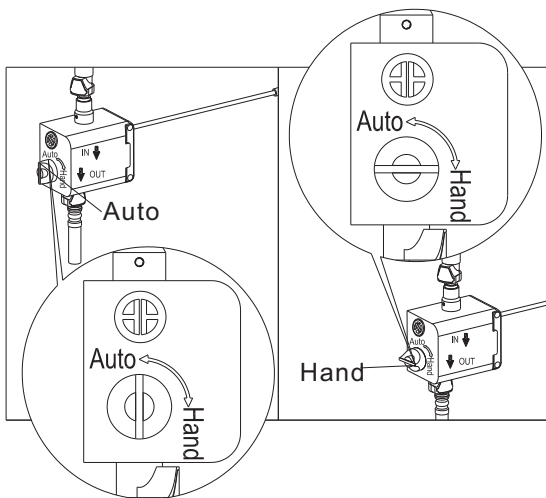
## STEP 7



7. Connect the connectors(10) to the valves, and connect the 2 inlet hoses to the connectors. Finally turn on the faucet to test the tightness of all joints to finish the installation.

## STEP 8

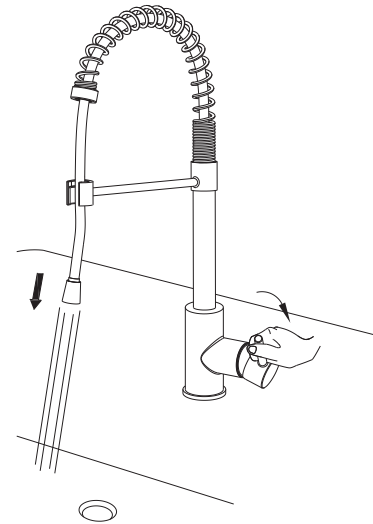
8. Factory default setting is sensor pattern. You will find the switch on Auto.



7

# INSTALLATION GUIDE

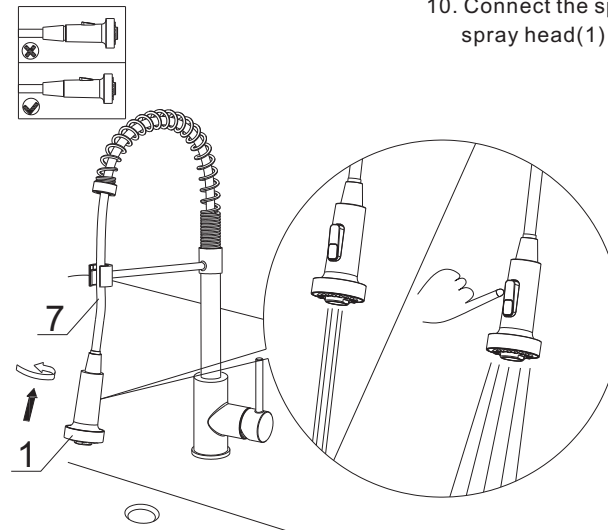
## STEP 9



9. Turn on mixer to check for leaks.

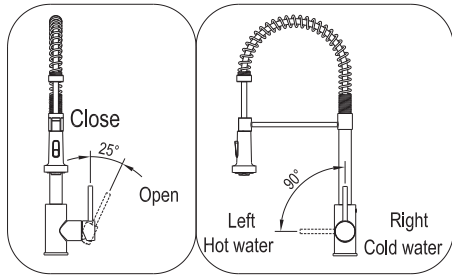
## STEP 10

10. Connect the spray hose(7) and spray head(1) to finish installation.



8

## ☆ How to operate the handle:

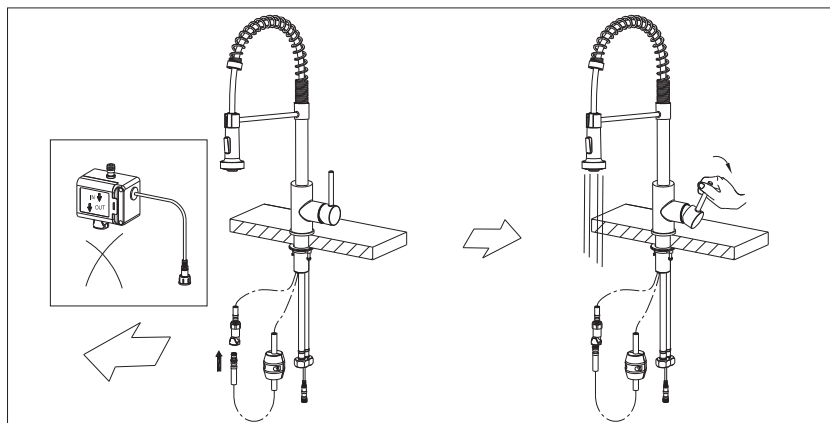
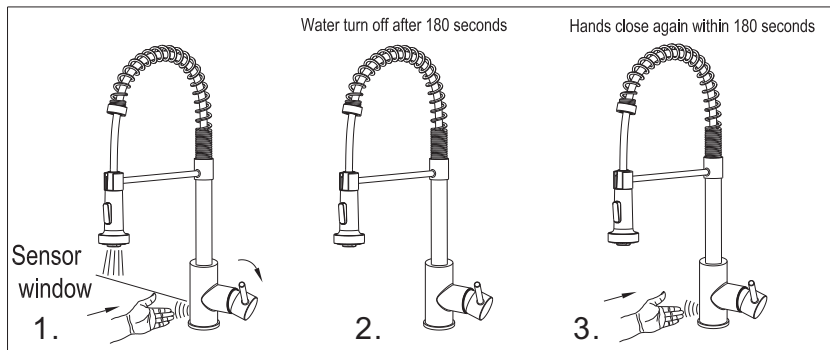


- 1) Open the handle lever to turn water on, push to turn off.
- 2) Turn the handle lever to the left to increase hot water flow with higher water temperature, while lower the water temperature by operating reversely.

## ☆ Usage of sensor window:

Pull open the handle from faucet to turn on

- 1) Wave hand before sensor window, water flows automatically.
- 2) Water turns off after 180 seconds automatically.
- 3) Wave hand before sensor window again within 180 seconds to turn off water.

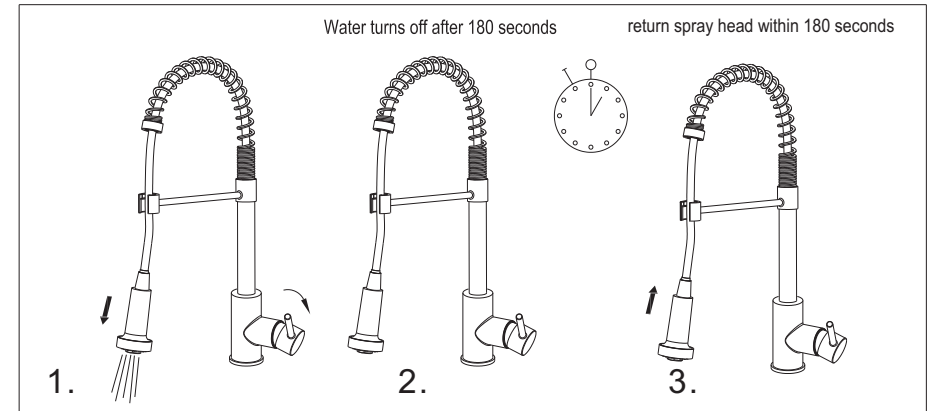


9

## ☆ Turn on and off water by pull down and return spray.

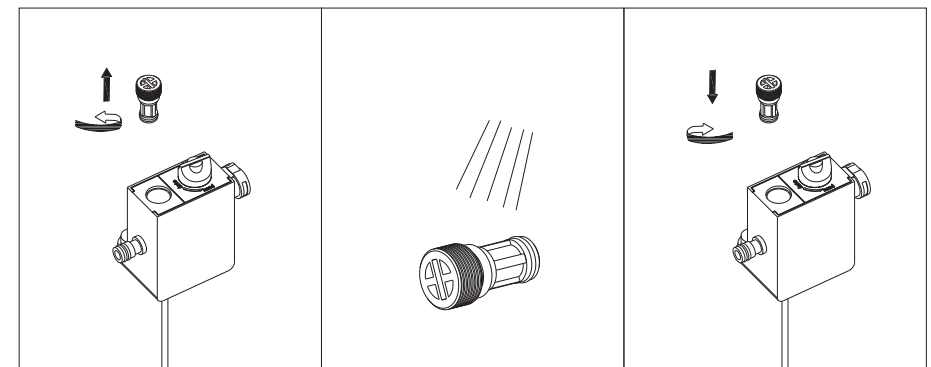
Pull open the handle from faucet to turn on,

- 1) Pull down spray, water flows automatically.
- 2) Water turns off after 180 second automatically.
- 3) Or return backward spray head within 180 seconds, to turn off water.



## ☆ Cleaning of filter in DC control box.

Please clean filter when water flows down. Normal suggestion for cleaning is twice per year.



10