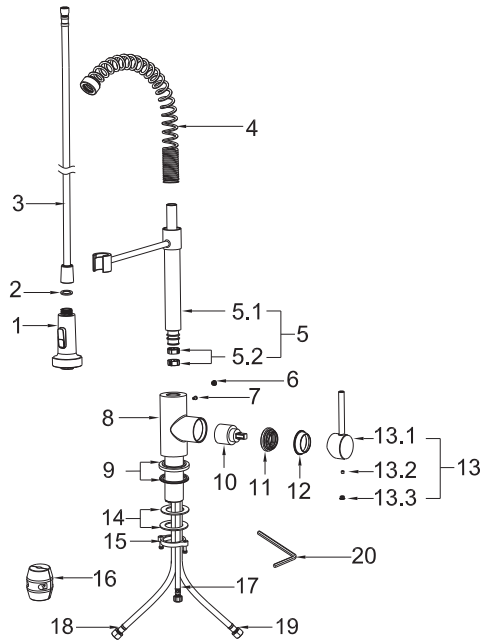


## REPLACEMENT PARTS



No.	Description	Finishes/colors	Item No.
1	Spray Head	SS	50030191210
2	Washer		70020038930
3	Spray Hose	SS	50040161210
4	Spring Assembly	SS	50040214010
5	Spray Support Assembly	SS	40060218110
6	Cover Button		50010103731
7	Set Screw		50060033800
8	Main Body	SS	10030052110
9	Base	SS	50010155710
10	35A Cartridge		20060010900
11	Nut		40060171752
12	Cap	SS	50010117210
13	Handle	SS	20010037110
14	Rubber & Metal Washer		70020037354
15	Mounting Nuts & Screws		40060185018
16	Weight		50020066700
17	Supply Hose		50040131800
18	Waterline		50042078721
19	Waterline		50042078726
20	Hex Wrench		50060003700

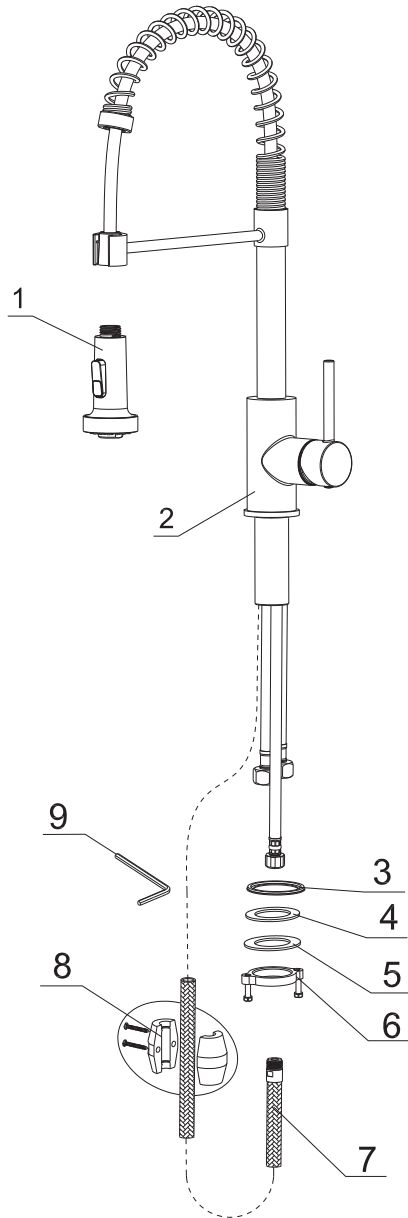
\*\* Denotes faucet component color options:  
SS - Spot Free Stainless Steel

# KARRAN®

## INSTALLATION GUIDE

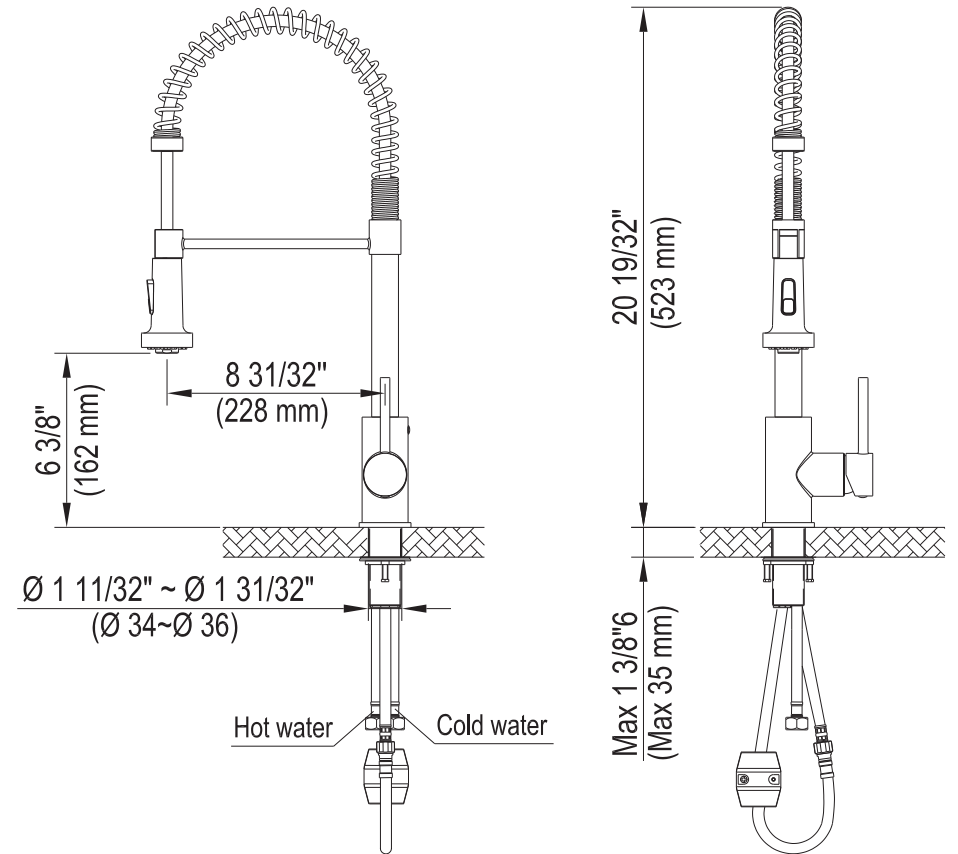


**Kadira**  
**Models: KKF225SS**



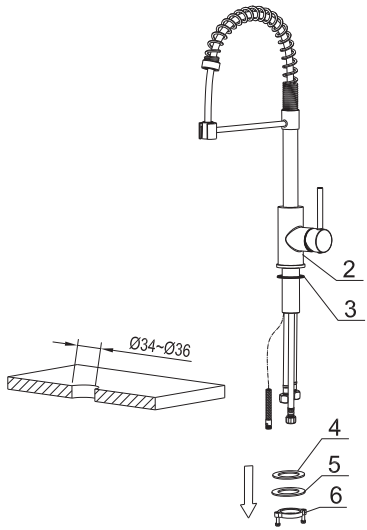
The Component List	Qty.
1. Spray Head	1
2. Main Body	1
3. Rubber Washer A	1
4. Rubber Washer B	1
5. Metal Washer	1
6. Mounting Hardware	1
7. Spray Hose	1
8. Weight	1
9. Hex Wrench	1

①



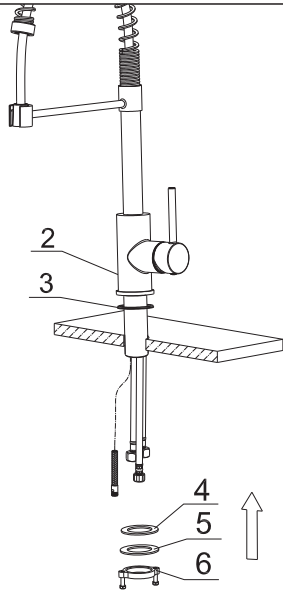
②

## STEP 1



1. Remove mounting hardware(6), metal washer(5) and rubber washer B (4) from the main body (2).

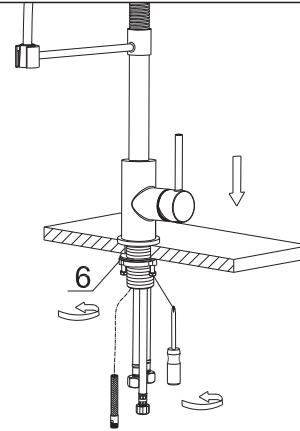
## STEP 2



2. Insert the main body into the hole with rubber washer A(3). Refix the rubber washer B(4), metal washer(5), mounting hardware(6) from the bottom.

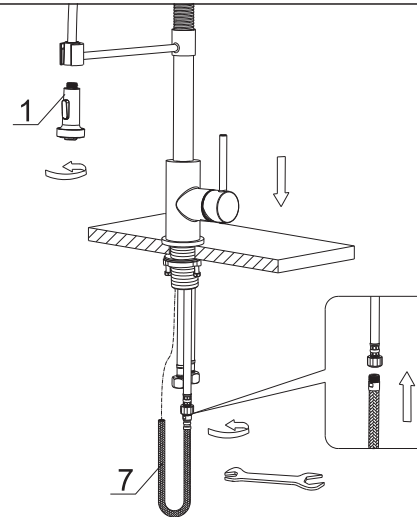
③

## STEP 3



3. After adjusting the direction of the main body(2), tighten the mounting hardware (6) with hands and tighten the screws with a Philips screwdriver.

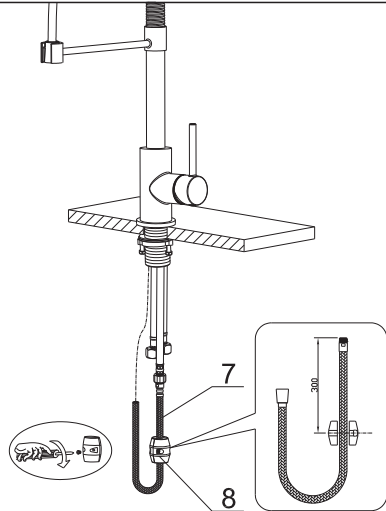
## STEP 4



4. Connect the spray hose(7) and spray head(1) to finish installation.

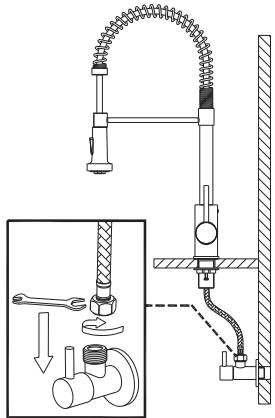
④

## STEP 5



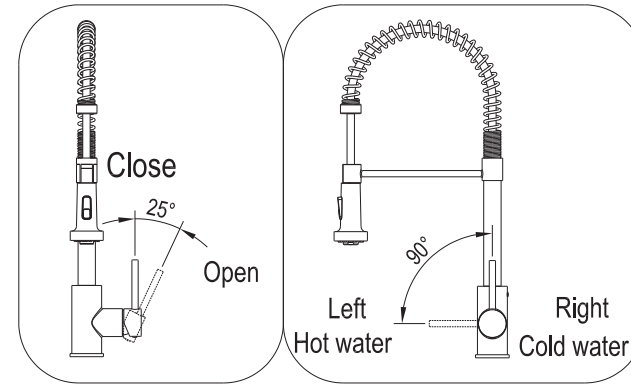
5. Attach the weight(8) on the spray hose(7).

## STEP 6



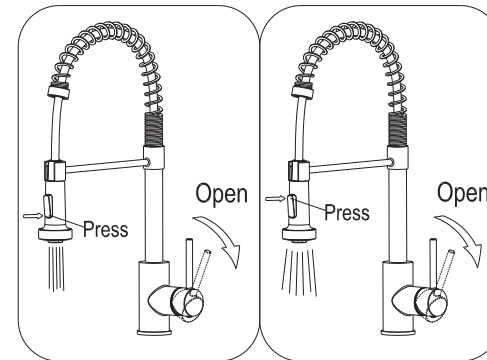
6. Connect the waterlines to outlet tightly.  
Turn on the outlet and check for leaks.

## How to operate the handle:



- 1) Open the handle lever to turn water on, push to turn off.
- 2) Turn the handle lever to the left to increase hot water flow with higher water temperature, while lower the water temperature by operating reversely.

## Spray



- 1) When opening, water firstly comes from the spout.
- 2) Water could be diverted from spout to spray by pressing the spray button.