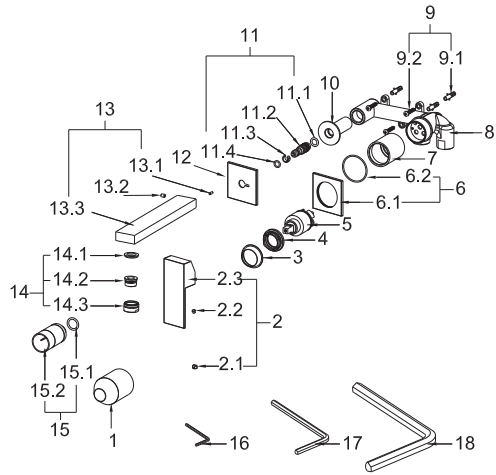


REPLACEMENT PARTS



| No. | Description | Finishes/colors | Item No. |
|-----|------------------|-----------------|-------------|
| 1. | Plastic guard | | 70030023229 |
| 2. | Handle | BC,G,SS,GG | 200100158** |
| 3. | Cap | BC,G,SS,GG | 500100720** |
| 4. | Bonnet Nut | | 40060075252 |
| 5. | Cartridge | | 20060003400 |
| 6. | Plate | BC,G,SS,GG | 500101272** |
| 7. | Cartridge Cover | BC,G,SS,GG | 400601501** |
| 8. | Concealed body | | 10010129652 |
| 9. | Self-tap screw | | 50060008700 |
| 10. | Positioning pipe | | 40060150052 |
| 11. | Adapter | | 40060235052 |
| 12. | Plate | BC,G,SS,GG | 500101889** |
| 13. | Spout | BC,G,SS,GG | 300100462** |
| 14. | Aerator | | 50050044224 |
| 15. | Plastic guard | | 50020104200 |
| 16. | Hex Wrench | | 70030033429 |
| 17. | Hex Wrench | | 50060003700 |
| 18. | Hex Wrench | | 50060017900 |

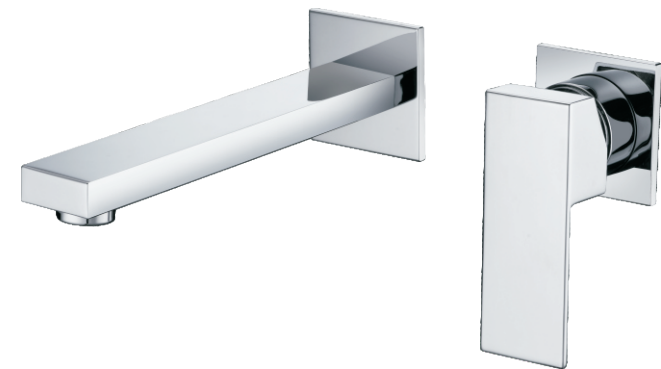
** Denotes faucet component color options:

SS - Spot Free Stainless steel
 GG - Gunmetal Grey
 BC - Brushed Copper
 G - Gold

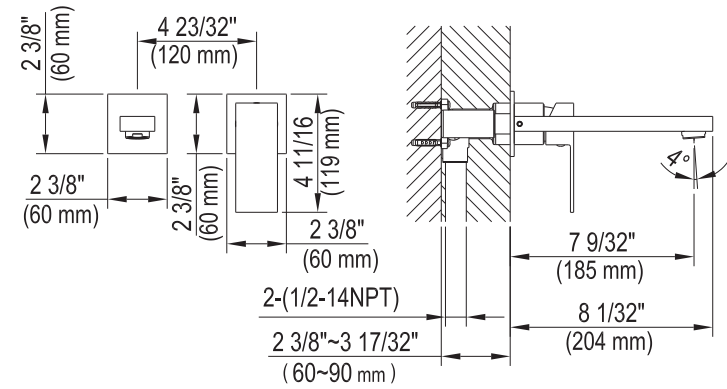
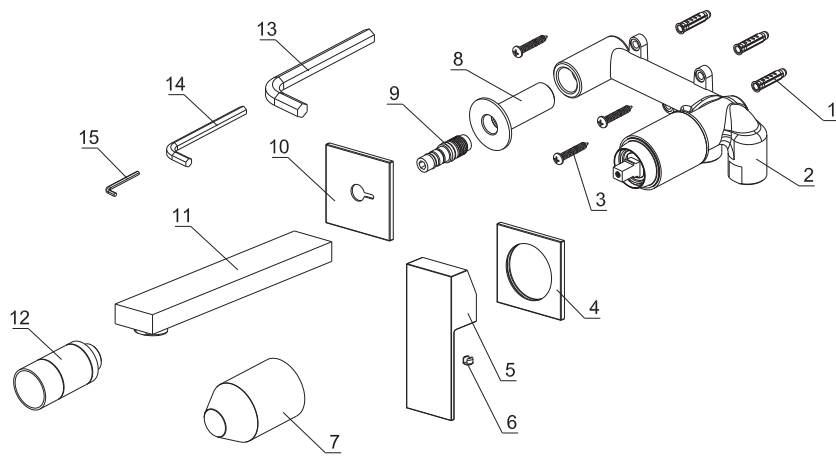
7

Karran®

INSTALLATION GUIDE



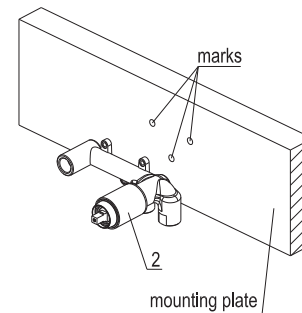
Models: KBF620BC
 KBF620G
 KBF620GG
 KBF620SS



INSTALLATION GUIDE

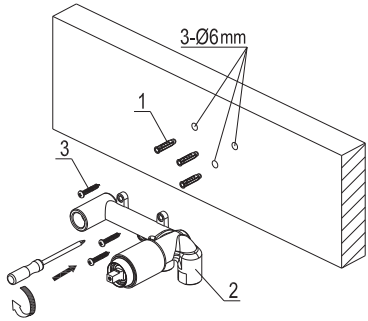
| The Component List | Qty. | The Component List | Qty. | The Component List | Qty. |
|-----------------------|------|------------------------|------|--------------------|------|
| 1. Screw anchor | 3 | 7. Plastic guard A | 1 | 13. Allen wrench A | 1 |
| 2. Concealed body | 1 | 8. Positioning pipe | 1 | 14. Allen wrench B | 1 |
| 3. Self-tap screw | 3 | 9. Adapter | 1 | 15. Allen wrench C | 1 |
| 4. Decorative plate A | 1 | 10. Decorative plate B | 1 | | |
| 5. Handle | 1 | 11. Spout | 1 | | |
| 6. Decorative plug | 1 | 12. Plastic guard B | 1 | | |

STEP 1



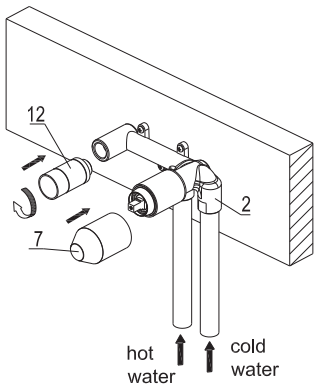
1. Consider the thickness of the wall before fastening the mounting plate. Use the concealed body(2) for positioning and make marks in the mounting plate.

STEP 2



2. Drill 3-Ø6 holes on the wall, the deepness of holes is about 35mm, knock the screw anchors(1) into the three holes, and fix the concealed body(2) onto the mounting plate with the self-tap screws(3).

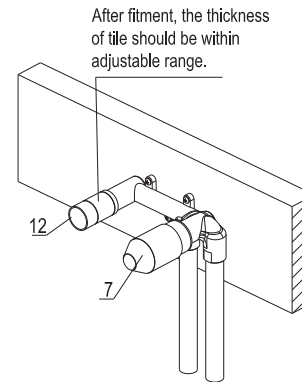
STEP 3



3. Connet the water supply pipes and test the tightness of water supply according to the following water pressure conditions:
 While cartridge is closed:
 $\leq 1.6\text{Mpa}$ to test the supply pipes and faucet. While opening cartridge, do not block the water outlet:
 $\leq 0.4\text{Mpa}$ to test the supply pipes and faucet.

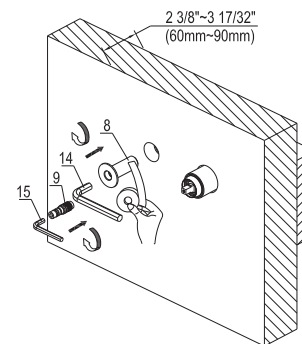
③

STEP 4



4. After tightness testing, put on all the plastic guards, make sure $2\frac{3}{8}''\sim 3\frac{17}{32}''$ (60mm~90mm) is the thickness of the tile, after fitment, the thickness of tile should be within the adjustable range.

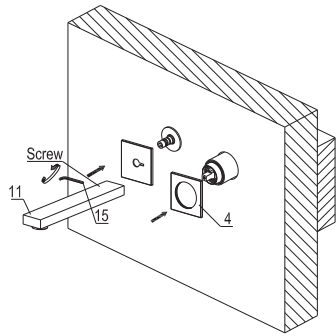
STEP 5



5. After twisting sealing tape on the thread of the positioning pipe(8), fit the positioning pipe(8) and the adapter (9) into the outlet of concealed body with allen wrenchs.

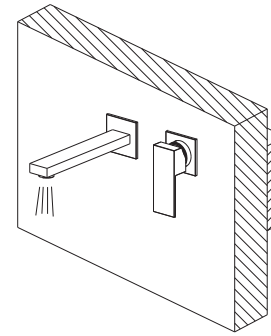
④

STEP 6



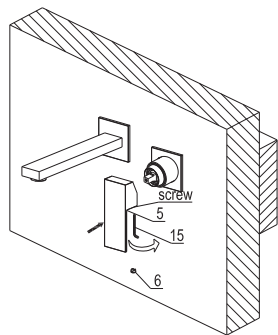
6. Put the decorative plate A(4) on, After adjusting the direction of the spout(11), secure the spout by screwing the screw on the spout with the allen wrench C(15).

STEP 8



8. Turn on the water supply and test the tightness of all the joints to finish.

STEP 7



7. Secure the handle(5) by screwing the screw on the handle with the allen wrench C(15), and put the decorative plug(6) on.

How to operate the handle:

- 1) Raise the handle lever up to turn water on, push down to close.
- 2) Turn the handle lever to the left to increase hot water flow to higher water temperature, and lower the water temperature by operating reversely.

