

Karran®

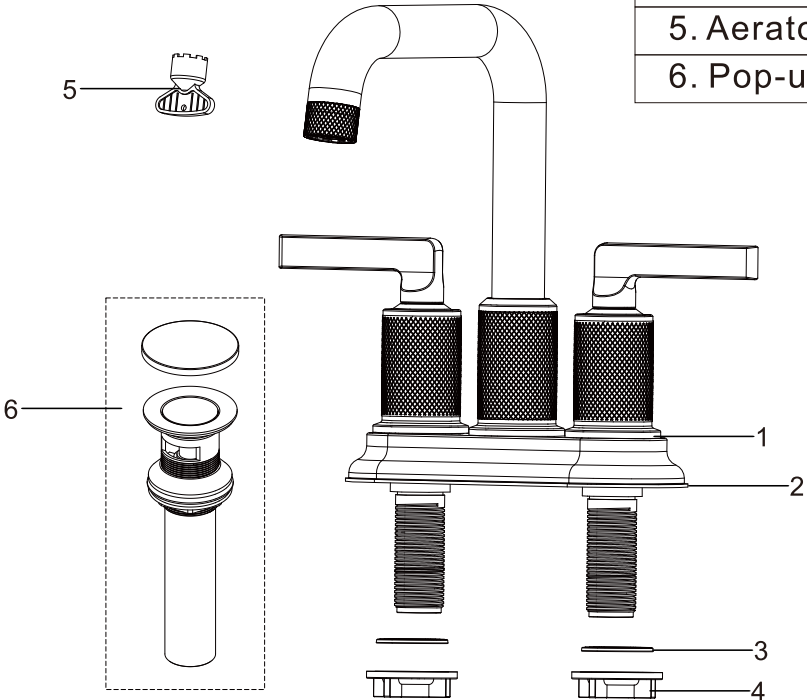
INSTALLATION GUIDE

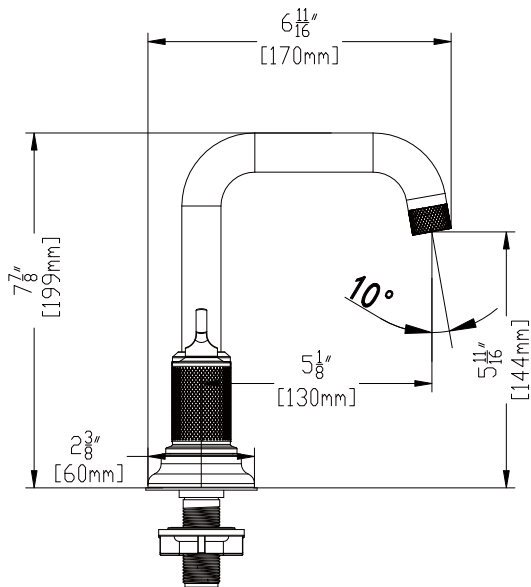
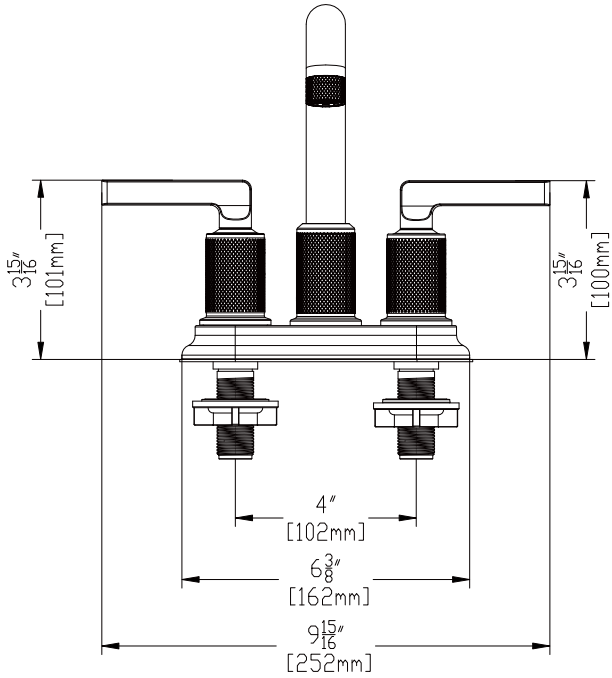


Gillingham

Models: KBF536GG KBF536C
KBF536MB KBF536SS
KBF536G

- | |
|-------------------|
| 1. Faucet Body |
| 2. Gasket |
| 3. Washer |
| 4. Mounting Nut |
| 5. Aerator Wrench |
| 6. Pop-up Drain |

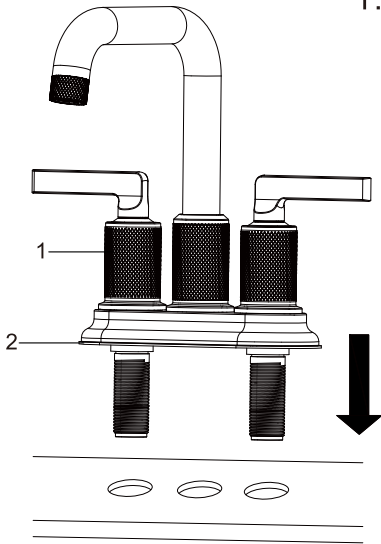




INSTALLATION GUIDE

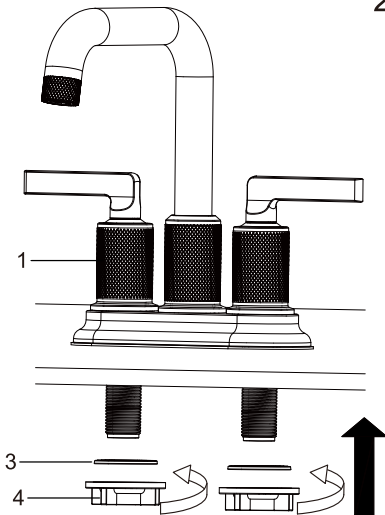
STEP 1

1. Place the faucet body (#1) and gasket (#2) on top of the sink and insert through the installation holes.



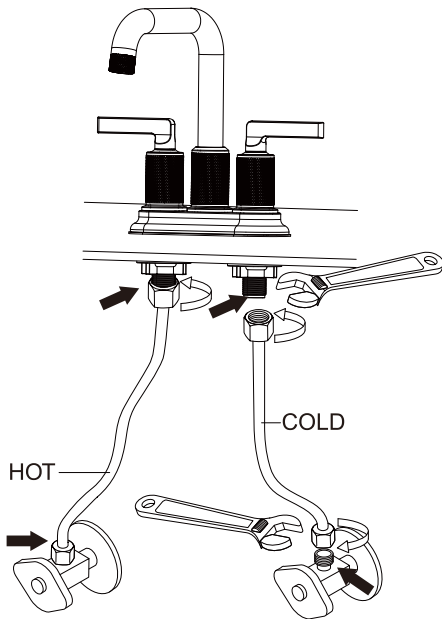
STEP 2

2. From under the sink, secure the faucet with washers (#3) and mounting nuts (#4). Tighten the lock nut by hand. Do not over tighten!



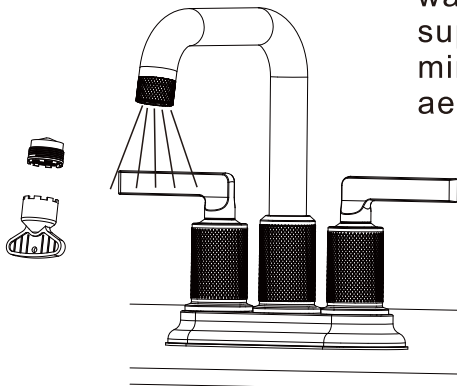
INSTALLATION GUIDE

STEP 3



3. Connect the water supply lines to the tail pipes of the faucet and to the hot and cold water supply valves. Secure and tighten with an adjustable wrench. Caution: Be careful not to mix up the hot and cold supply lines. Check all connections (shown with arrows in the image) for leaks. Re-tighten if necessary. Do not over tighten!

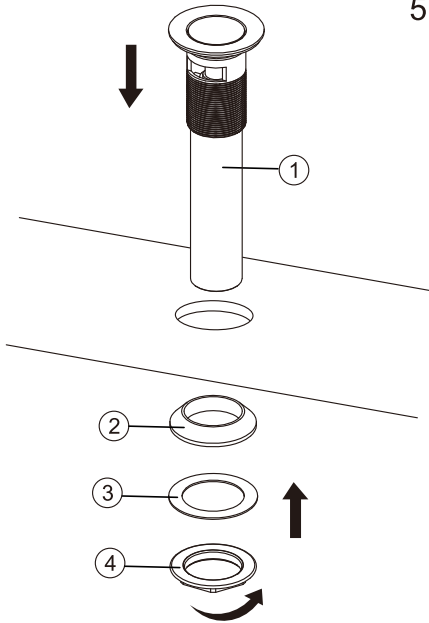
STEP 4



4. Remove the aerator using the aerator wrench. Turn the faucet handle all the way on, turn on hot and cold water supply and flush water lines for one minute. Reinstall aerator using the aerator wrench.

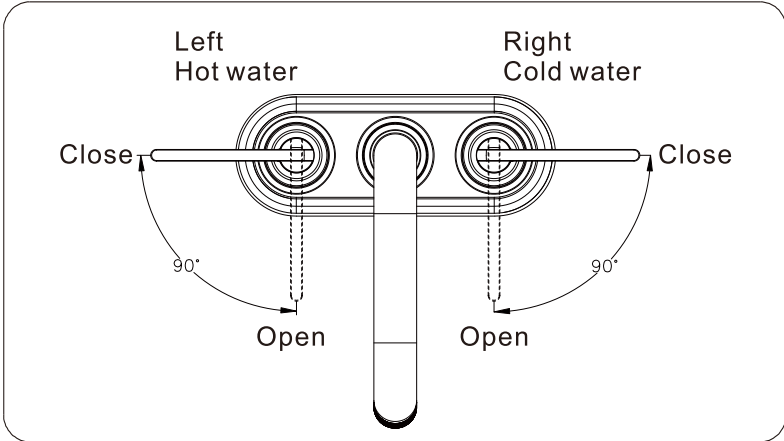
INSTALLATION GUIDE

STEP 5

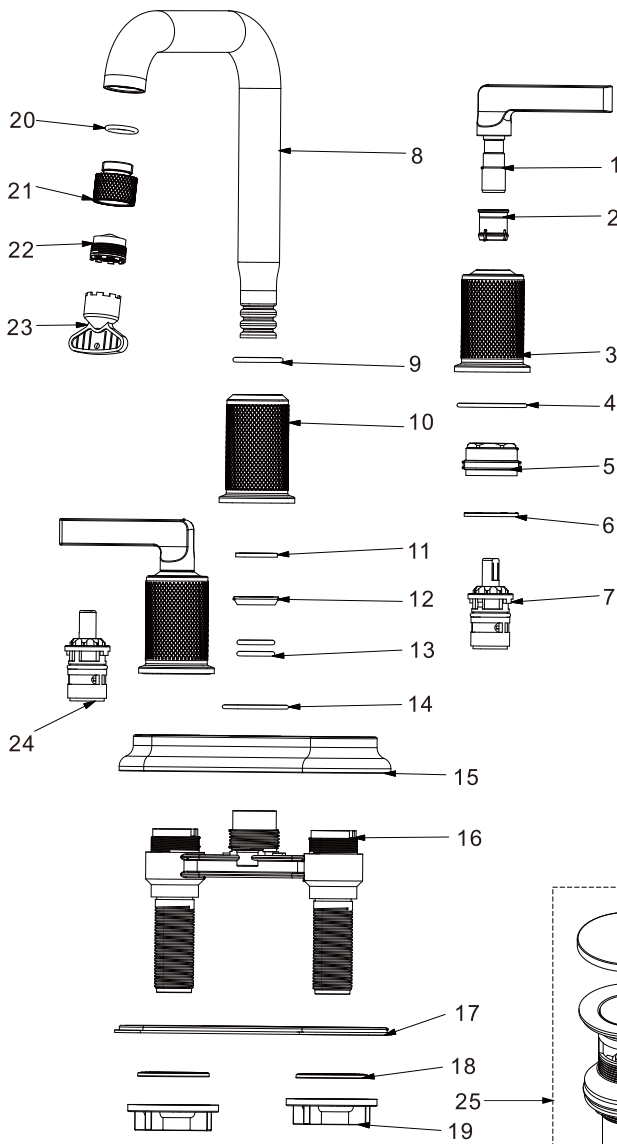


5. From the top of the drain hole, place the drain ① through the installation hole. From under the drain hole, install the thick washer ②, washer ③ and nut ④ by hand twisting on to the tail pipe of the drain. Then, install the tail pipe to the wall plumbing. Use of plumbers putty or silicone is recommended to seal drain ① to top side of bowl.

How to operate the handle:



REPLACEMENT PARTS



No.	Description	Finish/Color	Item No.
1	Handle	GG, C, MB SS, C	50P00JB32
2	Wearing Ring		5SJ188159
3	Handel Hub	GG, C, MB SS, C	51P188316
4	O-ring		8J37X2A
5	Luck Nut		5YG188316
6	Washer		8SJ285X255X17
7	Cartridge		K0002326ZMZ1
8	Spout	GG, C, MB SS, C	50G188316
9	O-ring		8J265X25A
10	Spout Hub	GG, C, MB SS, C	5ZZ188316
11	Wearing Ring		8SJ22X182X20
12	Washer		8SJ18001
13	O-ring		8J20X24A
14	O-ring		8J35X2A
15	Decorative Plate	GG, C, MB SS, C	5MBT4565
16	Underbody		5SN189003NP
17	Allen Key		8PDT401SB
18	Washer		8SJ1A200A
19	Mounting Nut		8NM1A200A
20	O-ring		8J1762X208A
21	Aerator Collar	GG, C, MB SS, C	51M168316DQ
22	Aerator		81M18523NP7
23	Aerator Wrench		80P00023
24	Cartridge		K00023260MZ1
25	Pop-up Drain		C21026

*Denotes faucet component color options:

- GG - Gunmetal Grey
- C - Chrome
- MB - Matte Black
- SS - Stainless Steel
- G - Gold

