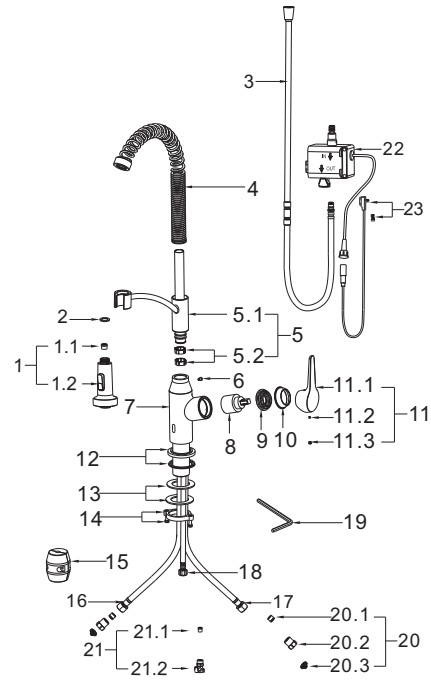


## REPLACEMENT PARTS



No.	Description	Finishes/colors	Item No.
1.	Spray	C, SS, MB, GG, BG, BC, G,ORB, MBBG, MBSS	500301912**
2.	Washer		70020038930
3.	Spray Hose	C, SS, MB, GG, BG, BC, G,ORB, MBBG, MBSS	500402278**
4.	Spring Assembly	C, SS, MB, GG, BG, BC, G,ORB, MBBG, MBSS	500600410**
5.	Spray Support Assembly	C, SS, MB, GG, BG, BC, G,ORB, MBBG, MBSS	400601991**
6.	Set Screw		50060033800
7.	Main Body	C, SS, MB, GG, BG, BC, G,ORB, MBBG, MBSS	100300584**
8.	35A Cartridge		20060010900
9.	Nut		40060199252
10.	Cap	C, SS, MB, GG, BG, BC, G,ORB, MBBG, MBSS	500101091**
11.	Handle	C, SS, MB, GG, BG, BC, G,ORB, MBBG, MBSS	200100446**
12.	Base	C, SS, MB, GG, BG, BC, G,ORB, MBBG, MBSS	500101638**
13.	Rubber & Metal Washer		70020037354
14.	Mounting Nuts & Screws		40060185018
15.	Weight		50020066800
16.	Waterline		50042060021
17.	Waterline		50042060026
18.	Supply Hose		50040215600
19.	Hex Wrench		50060003700
20.	Connector		40060128652
21.	Fast connector		50040191652
22.	DC control box		50020091800
23.	Sensor line		50020091900

\*\* Denotes faucet component color options:

C - Chrome  
 SS - Spot Free Stainless Steel  
 MB - Matte Black  
 GG - Gunmetal Gray  
 BG - Brushed Gold  
 G - Gold  
 BC - Brushed Copper  
 ORB - Oil Rubbed Bronze  
 MBBG - Matt Black & Brushed Gold  
 MBSS - Matt Black & Spot Free Stainless Steel

# Karran®

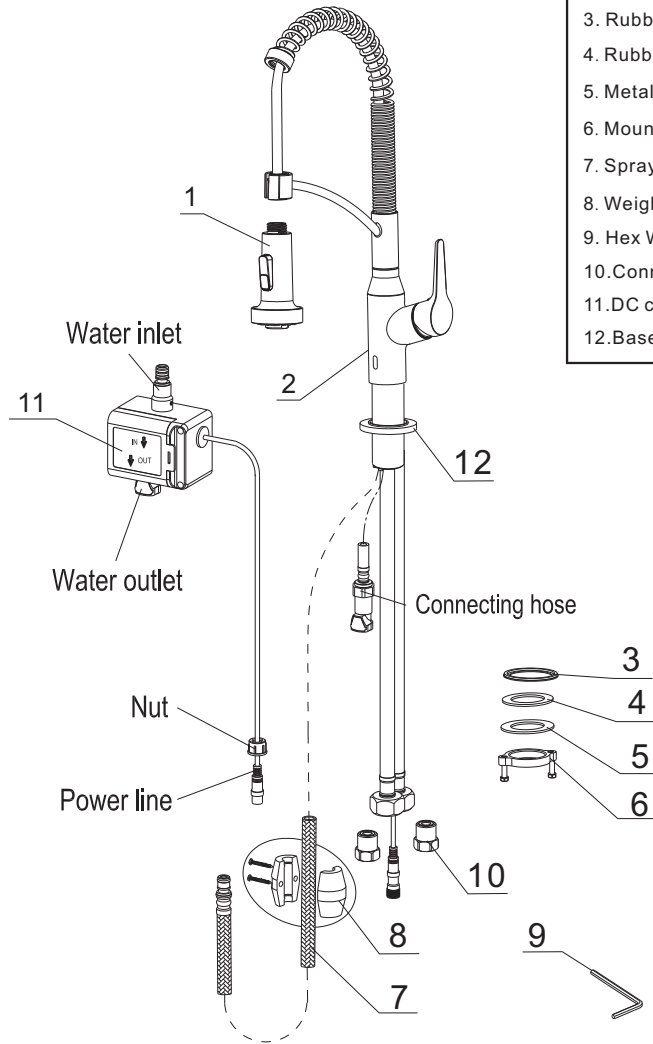
## INSTALLATION GUIDE



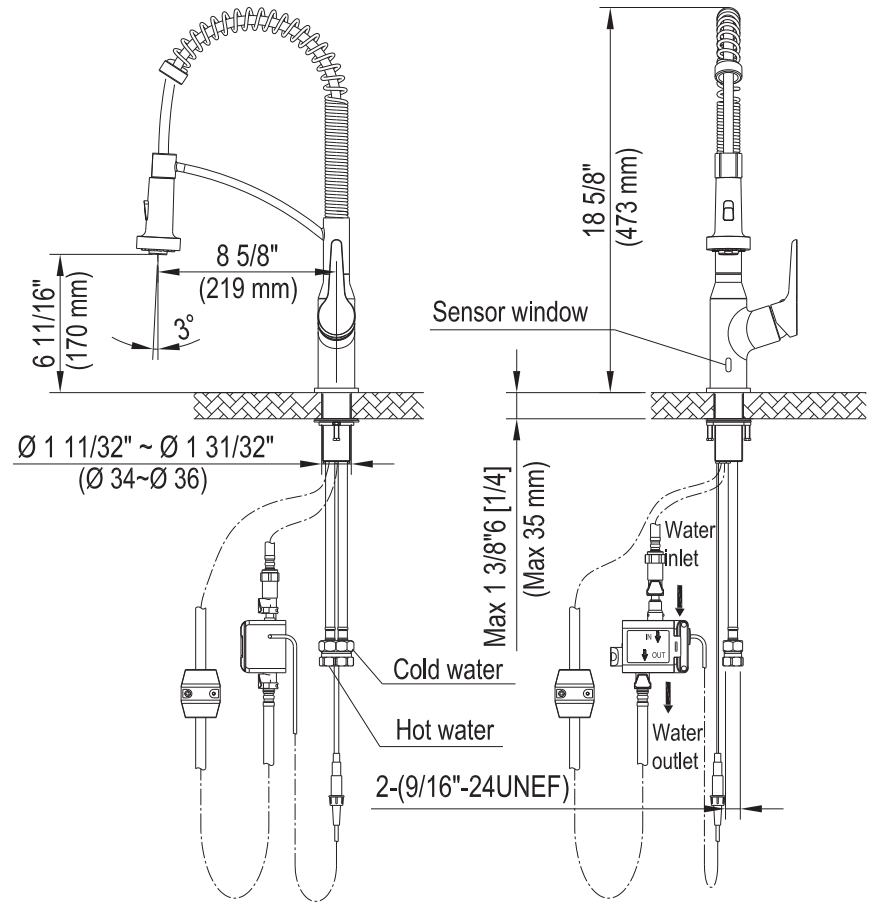
**Alston**

**Models:** KKF215C      KKF215SS  
 KKF215MB      KKF215GG  
 KKF215BG      KKF215BC  
 KKF215G      KKF215ORB  
 KKF215MBBG      KKF215MBSS

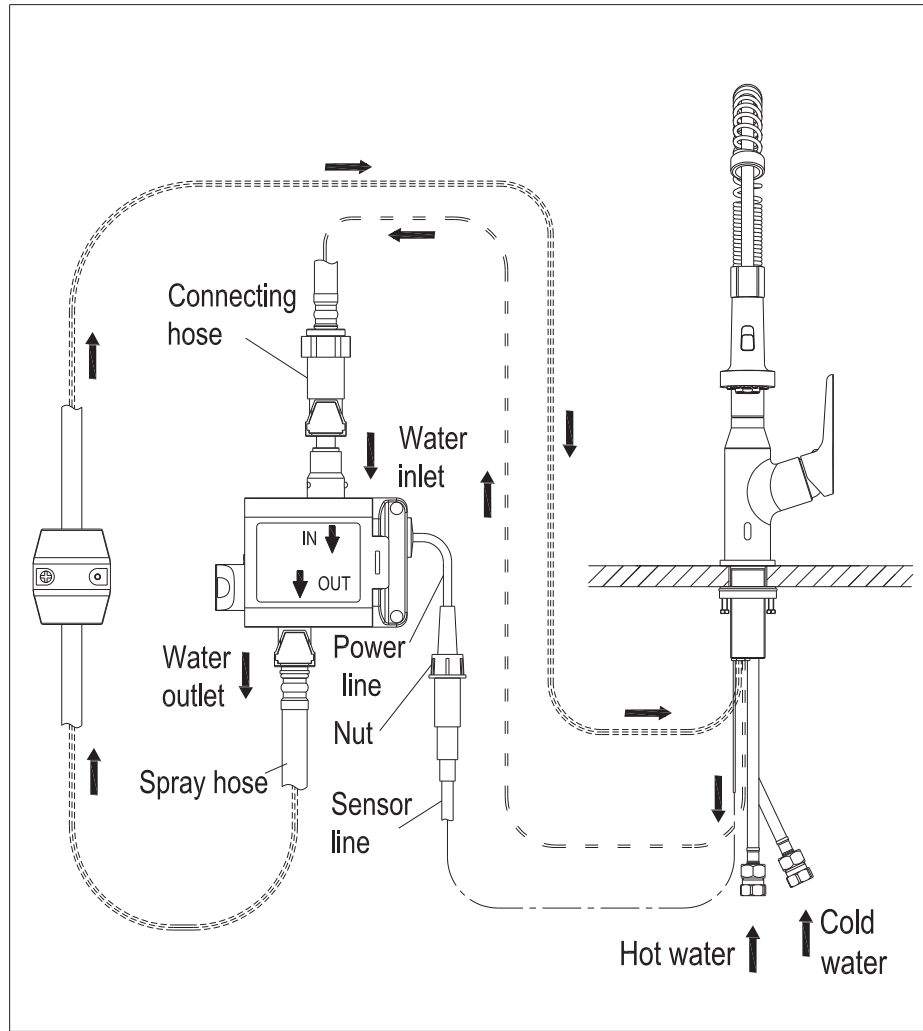
The Component List	Qty.
1. Spray Head	1
2. Main Body	1
3. Rubber Washer A	1
4. Rubber Washer B	1
5. Metal Washer	1
6. Mounting Hardware	1
7. Spray Hose	1
8. Weight	1
9. Hex Wrench	1
10. Connector	2
11. DC control box	1
12. Base	1



①

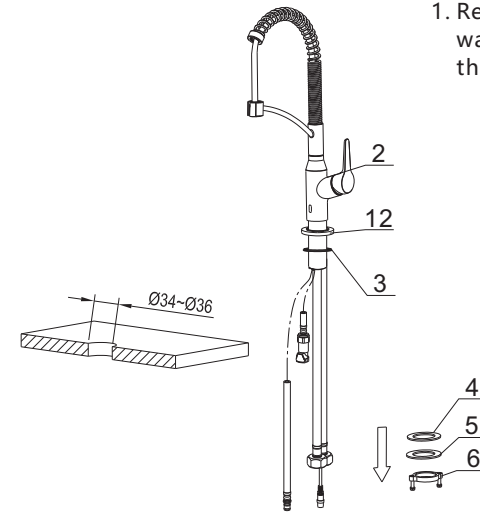


②



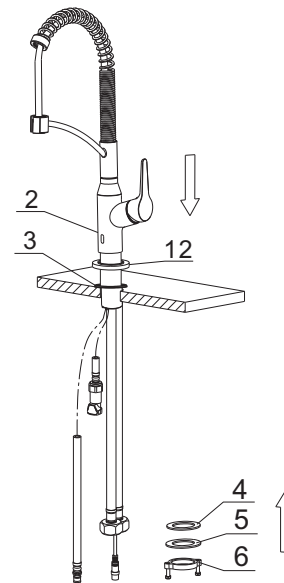
③

STEP 1



1. Remove mounting hardware(6), metal washer(5) and rubber washer B (4) from the main body (2).

STEP 2

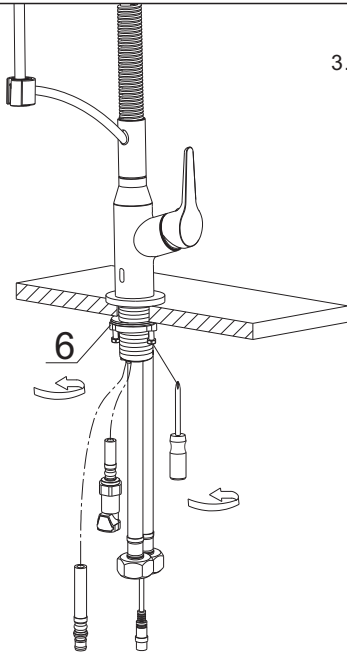


2. Insert the main body into the hole with base(12) and rubber washer A(3) . Refix the rubber washer B(4), metal washer(5), mounting hardware(6) from the bottom.

④

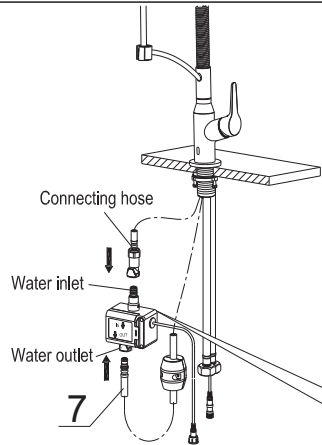
# INSTALLATION GUIDE

## STEP 3

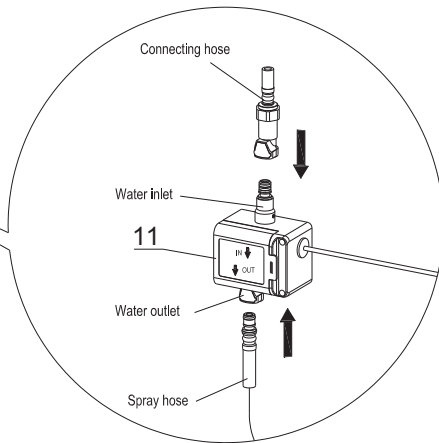


3. After adjusting the direction of the main body(2), tighten the mounting hardware (6) with hands and tighten the screws with a Philips screwdriver.

## STEP 4



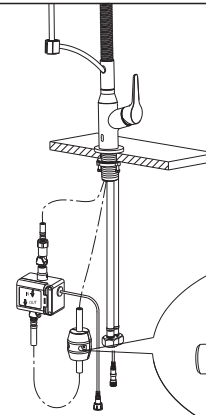
4. As shown in picture, connect the connecting hose and water inlet on the DC control box, and the spray hose and water outlet on the DC control box.



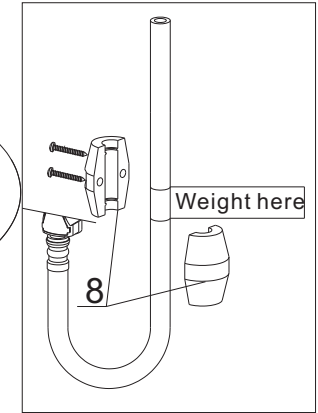
5

# INSTALLATION GUIDE

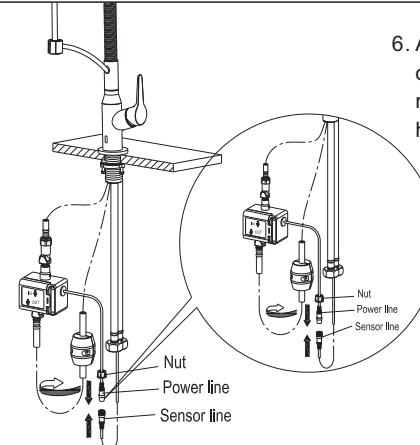
## STEP 5



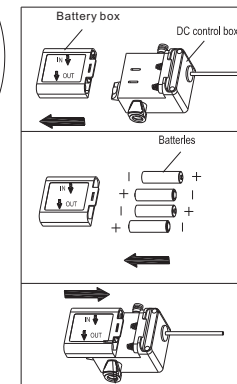
5. Fix the weight bob(8) on a suitable location of the spray hose.



## STEP 6



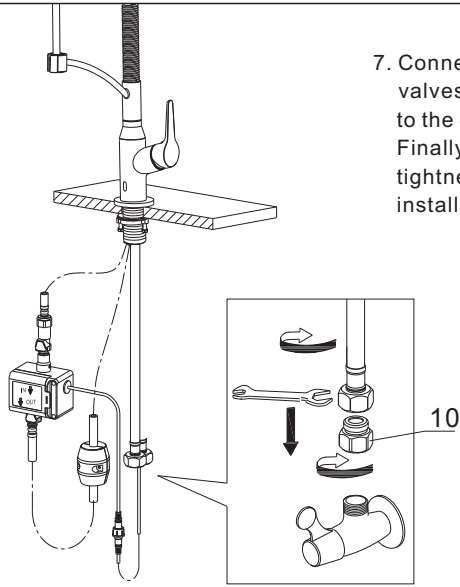
6. As shown here, connect the power line of DC control box and sensor line of the main body, and tighten the nut with hands.



6

# INSTALLATION GUIDE

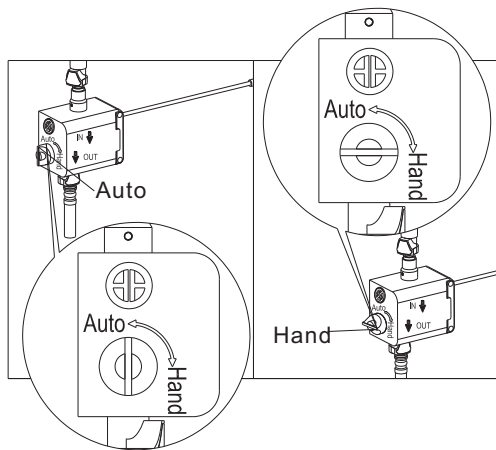
## STEP 7



7. Connect the connectors(10) to the valves, and connect the 2 inlet hoses to the connectors. Finally turn on the faucet to test the tightness of all joints to finish the installation.

## STEP 8

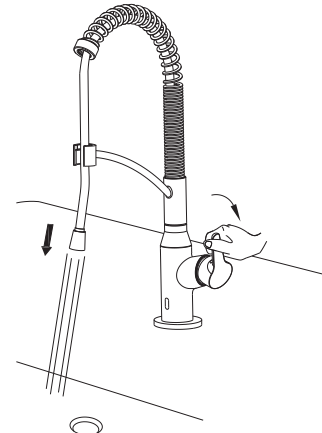
8. Factory default setting is sensor pattern. You will find the switch on Auto.



7

# INSTALLATION GUIDE

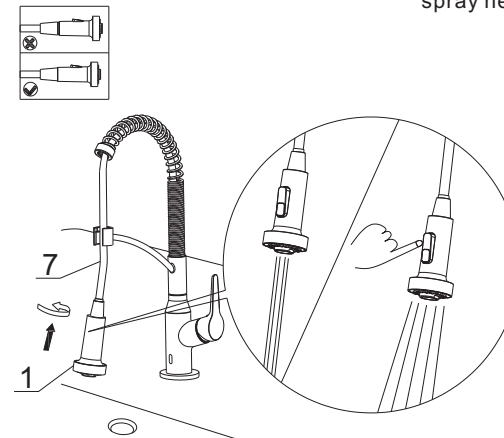
## STEP 9



9. Turn on mixer to check for leaks.

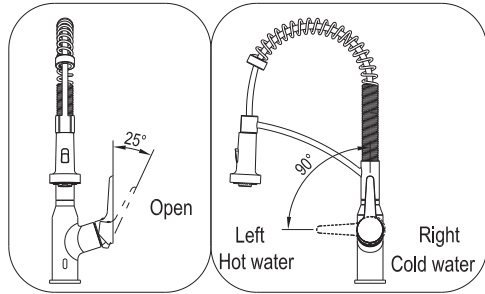
## STEP 10

10. Connect the spray hose(7) and spray head(1) to finish installation.



8

## ☆ How to operate the handle:

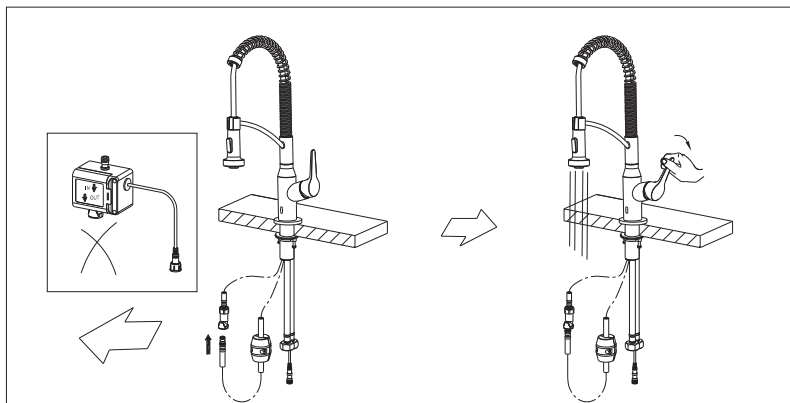
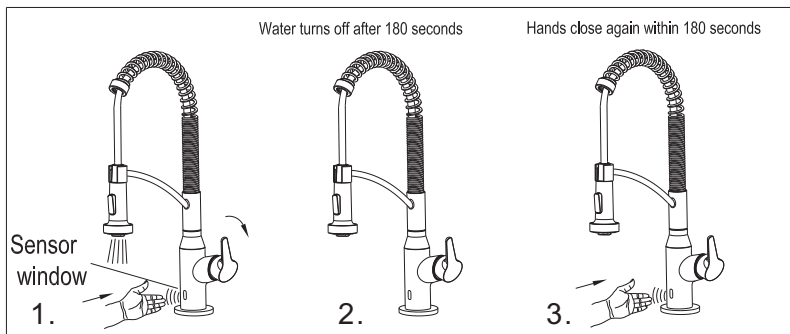


- 1) Open the handle lever to turn water on, push to turn off.
- 2) Turn the handle lever to the left to increase hot water flow with higher water temperature, while lower the water temperature by operating reversely.

## ☆ Usage of sensor window:

Pull open the handle from faucet to turn on

- 1) Wave hand before sensor window, water flows automatically.
- 2) Water turns off after 180 seconds automatically.
- 3) Wave hand before sensor window again within 180 seconds to turn off water.

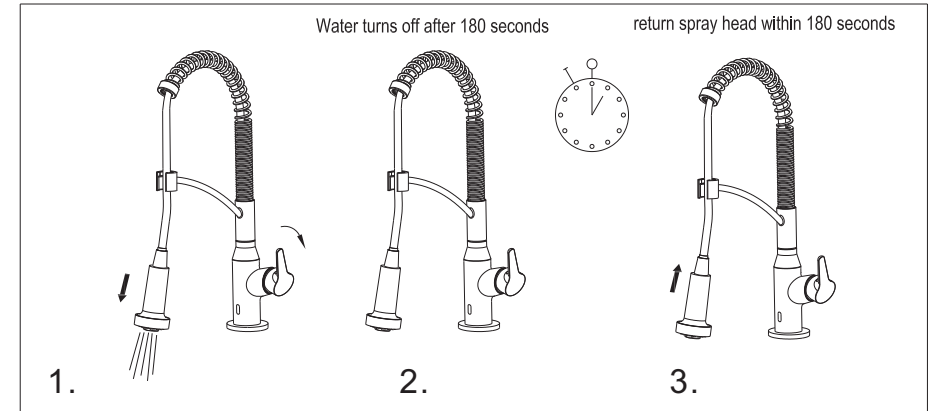


9

## ☆ Turn on and off water by pull down and return spray.

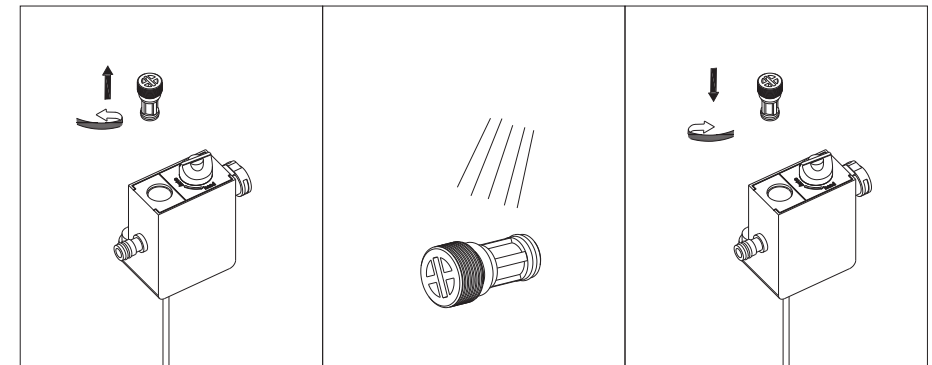
Pull open the handle from faucet to turn on,

- 1) Pull down spray, water flows automatically.
- 2) Water turns off after 180 second automatically.
- 3) Or return spray head within 180 seconds, to turn off water.



## ☆ Cleaning of filter in DC control box.

Please clean filter when water flows down. Normal suggestion for cleaning is twice per year.



10