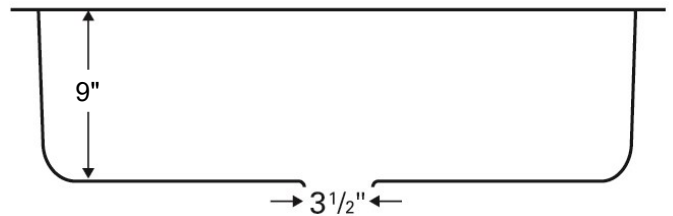
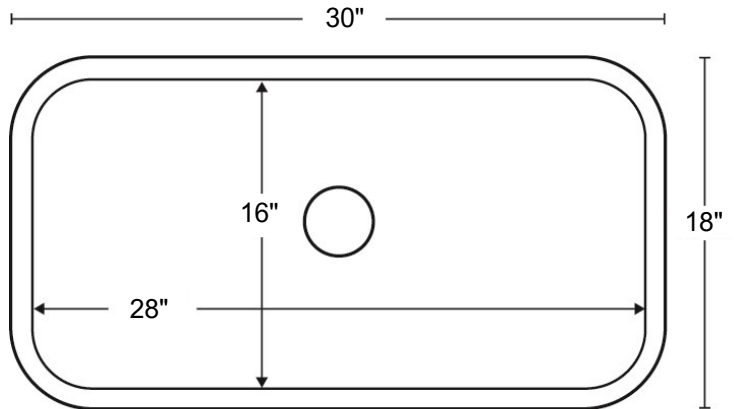
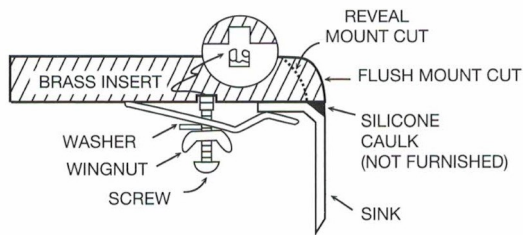


This Karran Profile Series stainless steel kitchen sinks is manufactured from durable 16 gauge stainless steel that makes it tough and resilient to even the toughest daily tasks. Each sink is finished with an elegant soft satin brushed finish that resists and disguises surface scratches. Designed to be undermounted in all types of solid surface, granite and quartz countertops. This sink comes complete with basket strainer and bottom grid.

<b>Series:</b>	Profile Series
<b>Material:</b>	16 Gauge, Type 304 stainless steel
<b>Installation Type:</b>	Undermount
<b>Configuration / Style:</b>	Large single bowl
<b>Finish:</b>	Soft satin brushed finish
<b>Overall dimensions:</b>	30" x 18"
<b>Bowl dimensions:</b>	28" x 16" x 9"
<b>Drain size:</b>	3-1/2"
<b>Min. cabinet size:</b>	33"
<b>Template included:</b>	Yes
<b>Clips included:</b>	Yes
<b>Accessories included:</b>	Bottom grid and basket strainer



**INSTALLATION PROFILE**



**PROJECT INFORMATION**

PROJECT: \_\_\_\_\_

CONTACT: \_\_\_\_\_

DATE: \_\_\_\_\_

NOTES: \_\_\_\_\_

\_\_\_\_\_

\_\_\_\_\_

**APPROVAL:**

**OPTIONAL ACCESSORIES**

- Stainless steel basket strainer [L-2]
- Stainless steel disposal flange [L-2DF]

We reserve the right to update product specifications without notice. Please visit [karran.com](http://karran.com) for the most current specification sheets. All dimensions are accurate to 1/4". REV 05-2022