

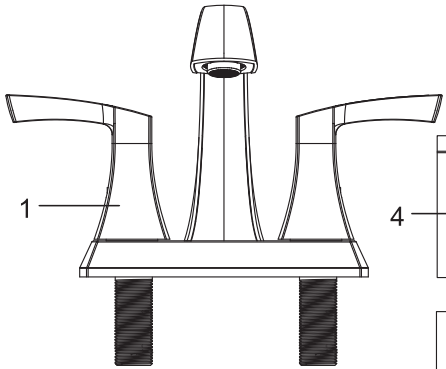
Karran[®]

INSTALLATION GUIDE

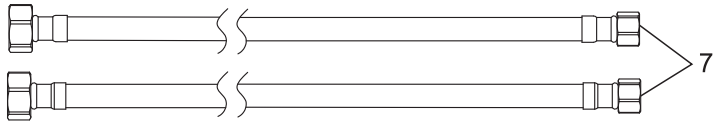
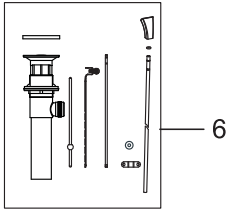
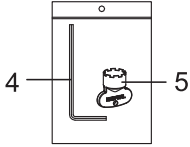


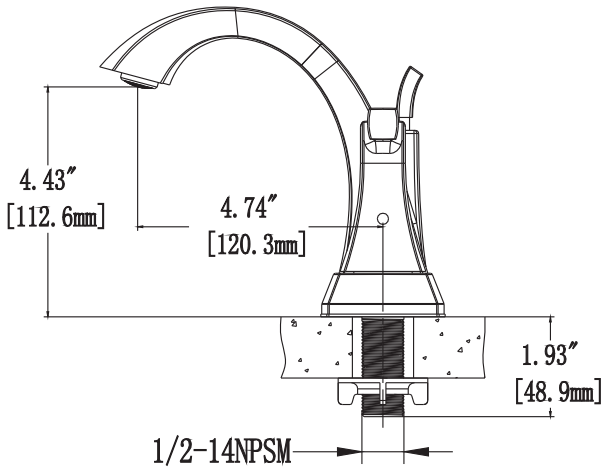
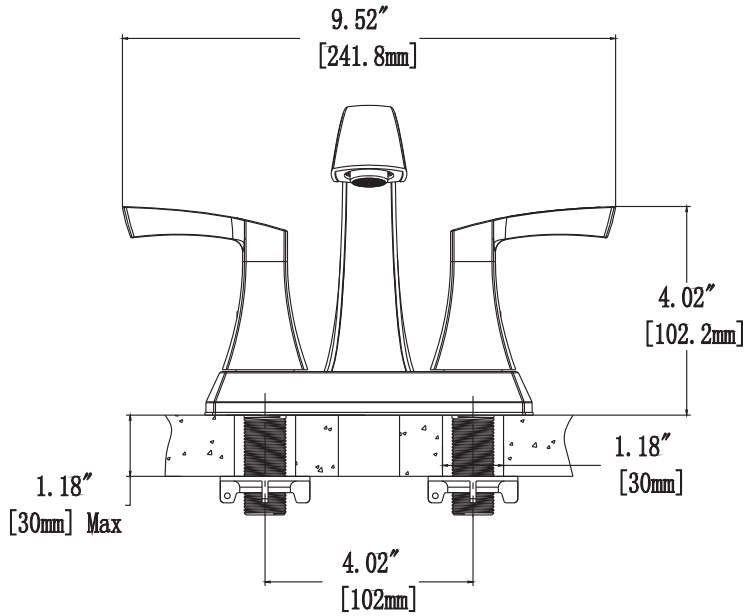
Randburg

Models: KBF526C KBF526SS
KBF526ORB KBF526MB



1. Faucet Body
2. Gasket
3. Mounting Nuts
4. Allen Key
5. Aerator Wrench
6. Drain
7. Supply Lines

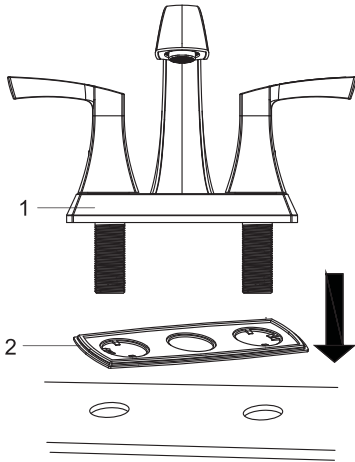




INSTALLATION GUIDE

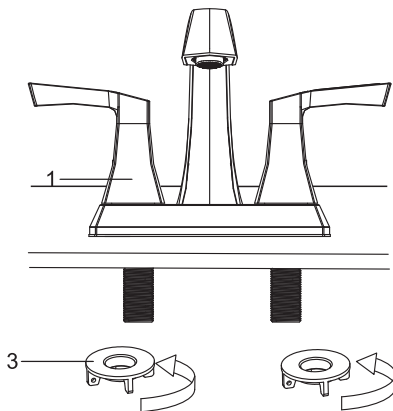
STEP 1

1. Place the faucet body (#1) and gasket (#2) on top of the sink and insert through the installation holes.



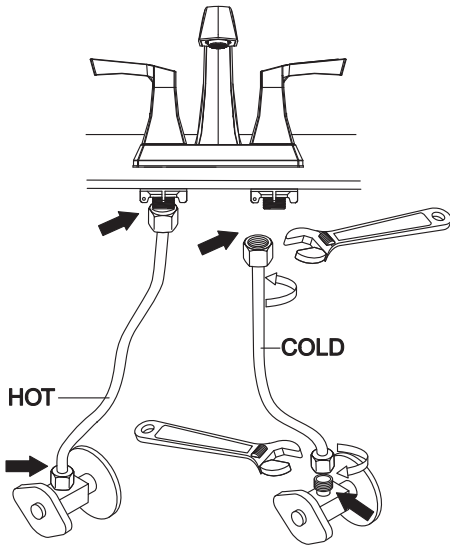
STEP 2

2. From under the sink, secure the faucet with Mounting Nuts (#3). Tighten the lock nut by hand. Do not over tighten!



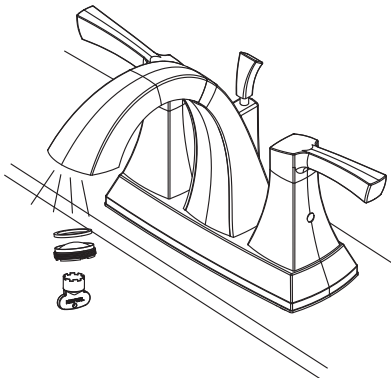
INSTALLATION GUIDE

STEP 3



3. Connect the water supply lines to the tail pipes of the faucet and to the hot and cold water supply valves. Secure and tighten with an adjustable wrench. Caution: Be careful not to mix up the hot and cold supply lines. Check all connections (shown with arrows in the image) for leaks. Re-tighten if necessary. Do not over tighten!

STEP 4

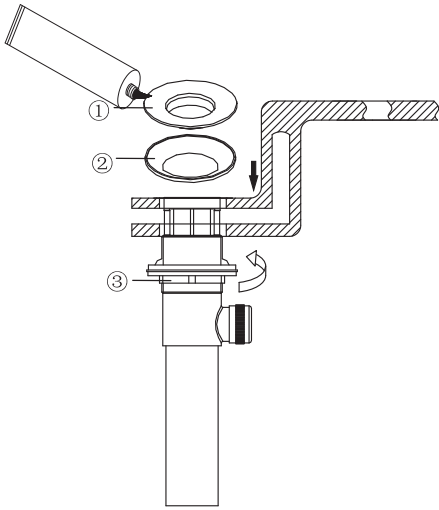


4. Remove the aerator using the aerator wrench. Turn the faucet handle all the way on, turn on hot and cold water supply and flush water lines for one minute. Reinstall aerator using the aerator wrench.

INSTALLATION GUIDE

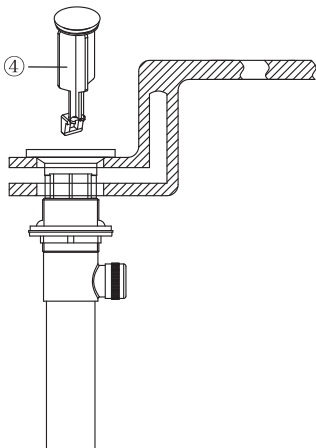
STEP 5

5. Place a bead of silicone or plumbers putty as shown on the drain opening of the sink. Thread the top (1 2) into the drain. Secure the drain by tightening the nut (3) underneath the sink.



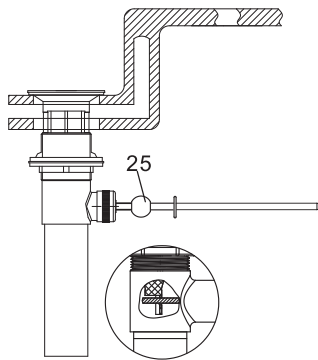
STEP 6

6. Insert drain stopper (4) into the drain.



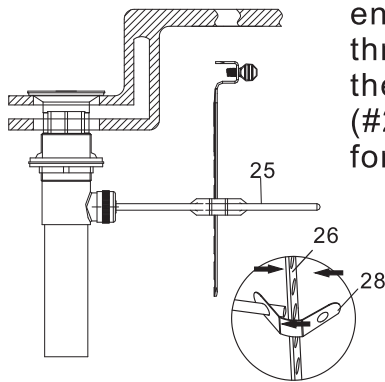
INSTALLATION GUIDE

STEP 7



7. Ensure the ball rod (#25) is inserted through the drain stopper base hole. See diagram for visual.

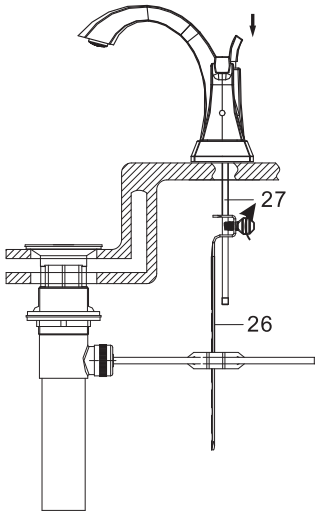
STEP 8



8. Place one end of the spring clip (#28) on the end of the ball rod (#25). Insert the ball rod through the hole on the lift rod strap (#26), then slide the other end of the spring clip (#28) over the ball rod (#25). See diagram for visual.

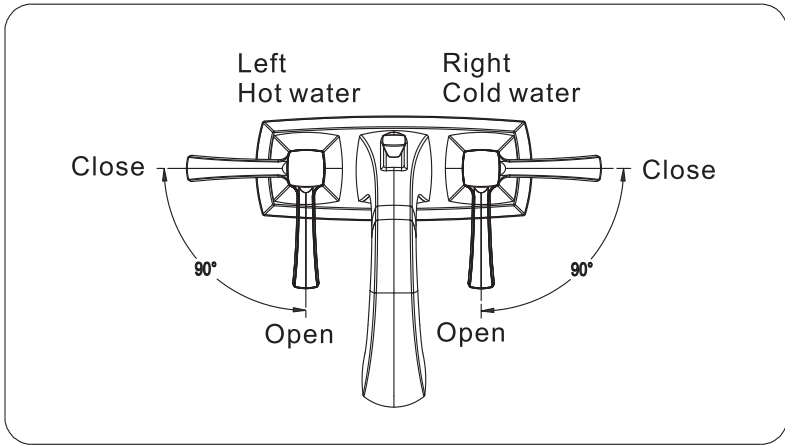
INSTALLATION GUIDE

STEP 9

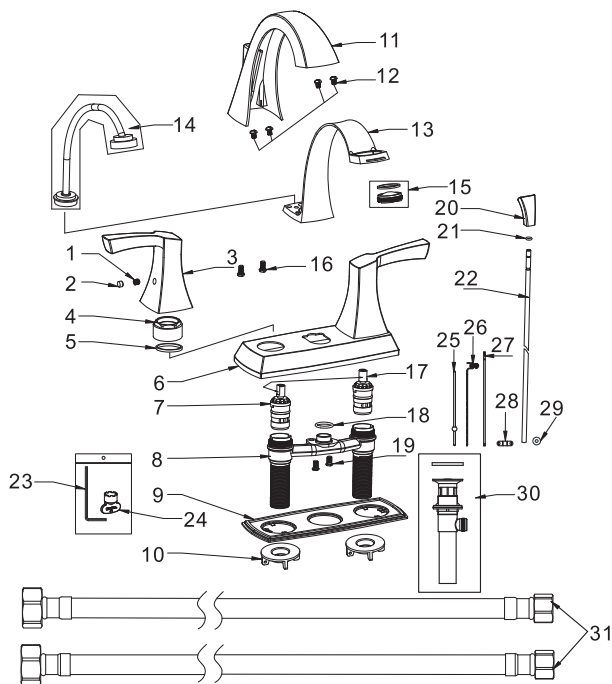


9. Insert the lift rod (#27) through the pop-up hole on the faucet. Underneath the sink insert the lift rod (#27) through the lift rod strap (#26). Tighten the thumb screw on the lift strap. Note: be sure to ensure there is enough room to lift the lift rod up and down to open and close the drain.

How to operate the handle:



REPLACEMENT PARTS



No.	Description	Finish/Color	Item No.
1	Screws		8EM5X5
2	Indexes		80N85050
3	Handles	C,SS,ORB MB	50P00CV32
4	Lock Nuts		8YG23000
5	Washers		8SJ285X255X17
6	Plate	C,SS,ORB MB	5MBT4242
7	Cartridge		K00023260
8	Shank		5SNB401NPDQ
9	Gasket		5PDT424S
10	Nuts		5NM1A200
11	Upper Shell	C,SS,ORB MB	50T18412
12	Screws		8RM4X4
13	Bottom Shell	C,SS,ORB MB	51T18412
14	Water Way		52T18412DQ
15	Aerator		80M24123NP1
16	Screws		8RM4X8
17	Cartridge		K0002326Z
18	O-ring		8J18X2A
19	Screws		8HM5X10B
20	Diverter Cover		50D2B412
21	O-ring		8J6X15
22	Lift Rod		50NG18202
23	Allen key		8BS25
24	Aerator wrench		80P00013
25	Ball Rod		82NGM23A
26	Lift Rod Strap		51NGM231A
27	Lift Rod		50NG18202
28	Spring Clip		53NGM231A
29	O-ring		84NGM23A
30	Drain		C11011
31	Supply Lines		G08603SR

*Denotes faucet component color options:

C - Chrome

SS - Stainless Steel

ORB - Oil-Rubbed Bronze

MB - Matte Black