

Karran[®]

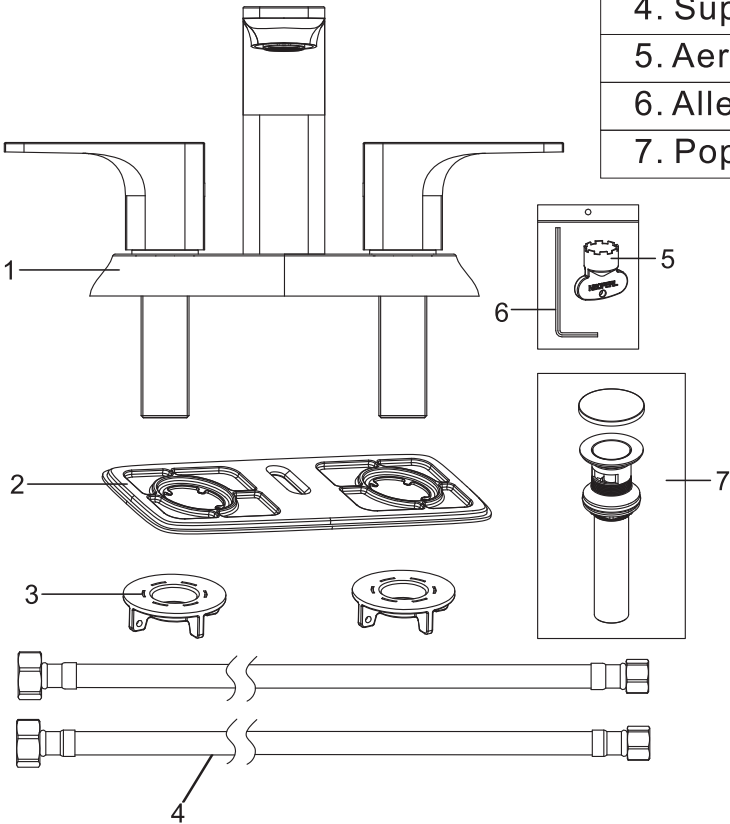
INSTALLATION GUIDE

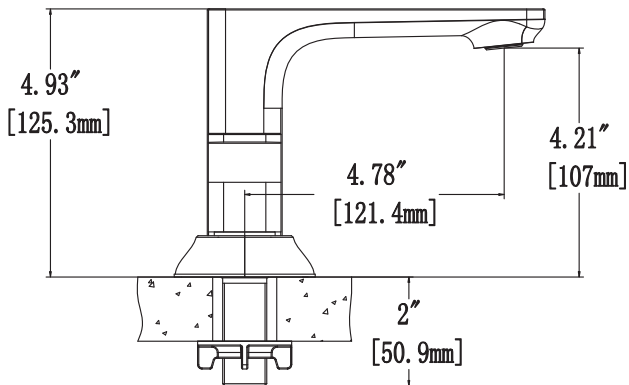
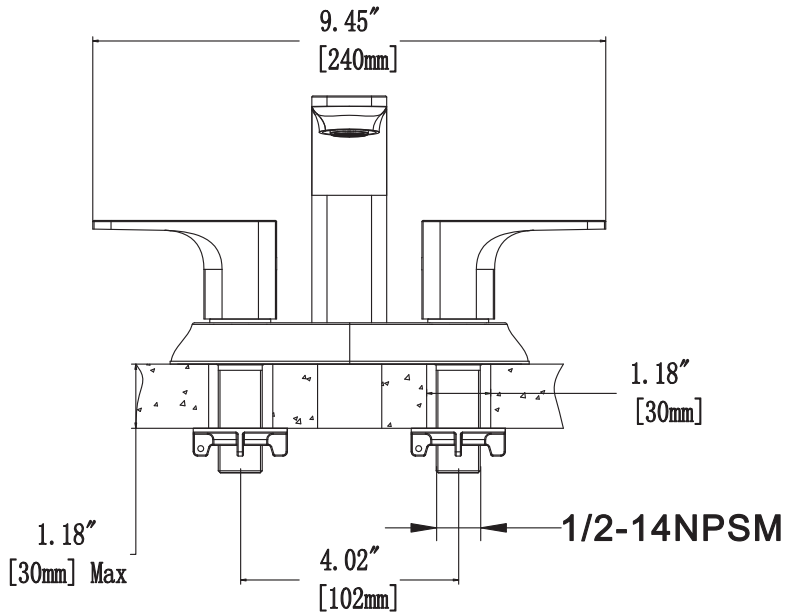


Venda

Models: KBF516C KBF516SS
KBF516MB

1. Faucet Body
2. Gasket
3. Mounting Nuts
4. Supply Lines
5. Aerator Wrench
6. Allen Key
7. Pop-up Drain

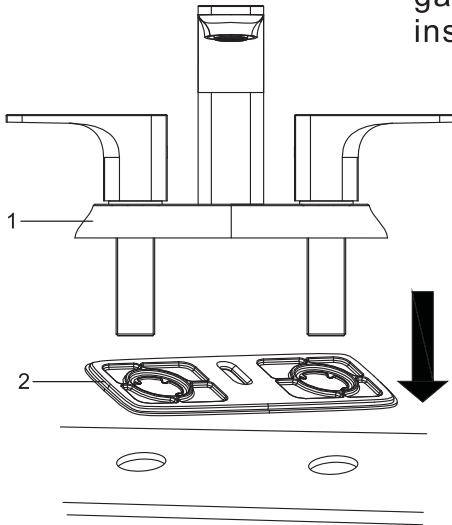




INSTALLATION GUIDE

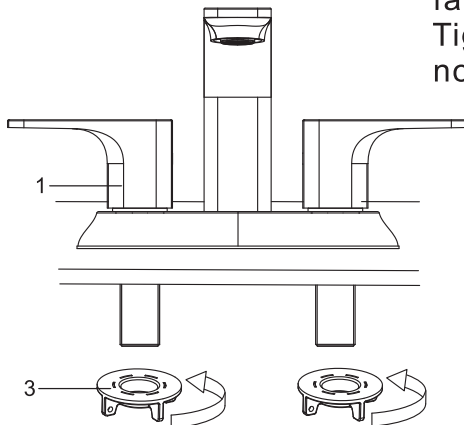
STEP 1

1. Place the faucet body (#1) and gasket (#2) on top of the sink and insert through the installation holes.



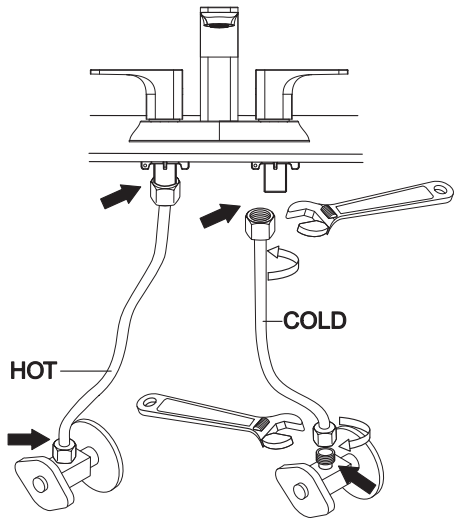
STEP 2

2. From under the sink, secure the faucet with Mounting Nuts (#3). Tighten the lock nut by hand. Do not over tighten!



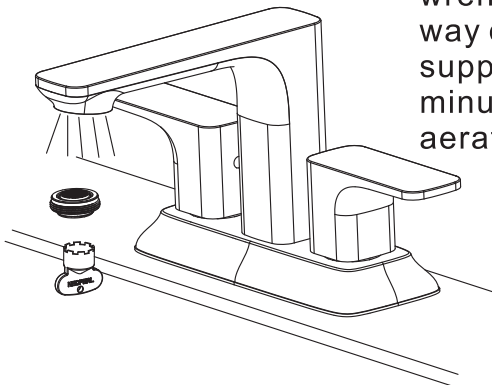
INSTALLATION GUIDE

STEP 3



3. Connect the water supply lines to the tail pipes of the faucet and to the hot and cold water supply valves. Secure and tighten with an adjustable wrench. Caution: Be careful not to mix up the hot and cold supply lines. Check all connections (shown with arrows in the image) for leaks. Re-tighten if necessary. Do not over tighten!

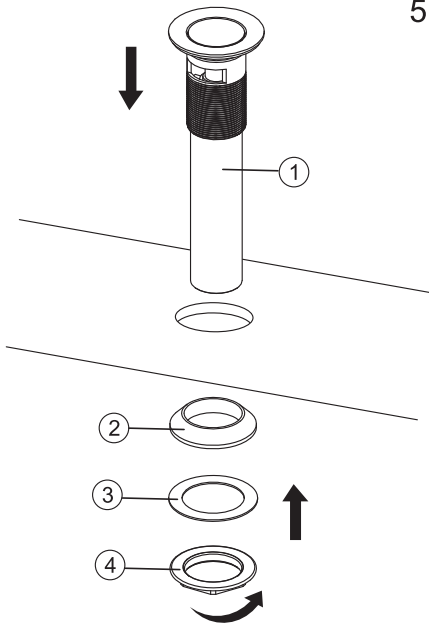
STEP 4



4. Remove the aerator using the aerator wrench. Turn the faucet handle all the way on, turn on hot and cold water supply and flush water lines for one minute. Reinstall aerator using the aerator wrench.

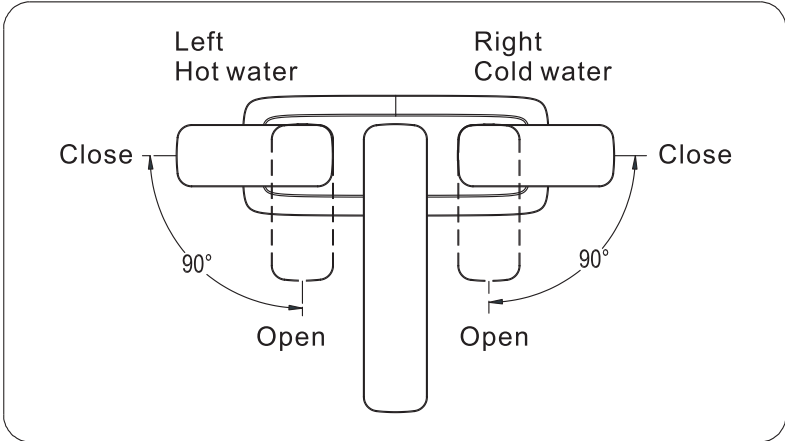
INSTALLATION GUIDE

STEP 5

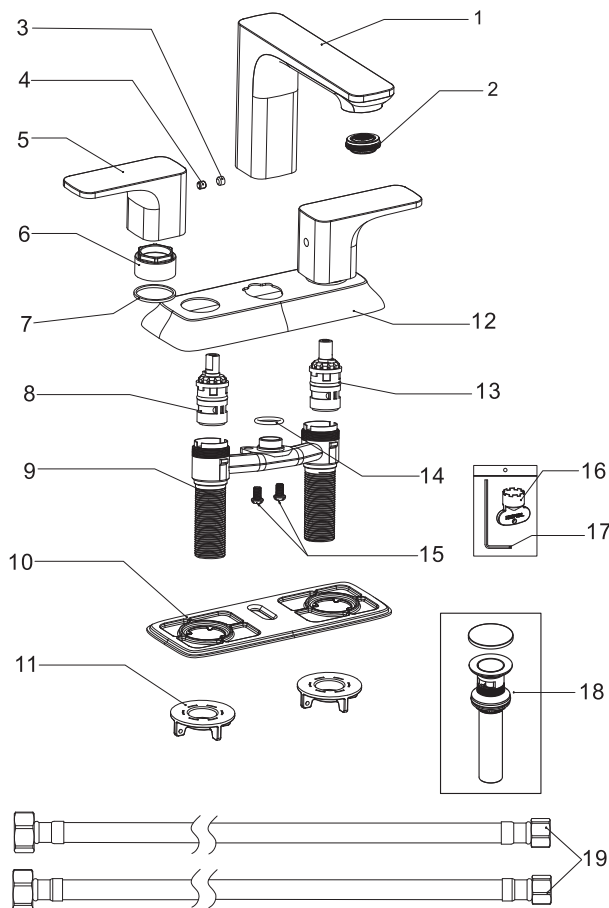


5. From the top of the drain hole, place the drain ① through the installation hole. From under the drain hole, install the thick washer ②, washer ③ and nut ④ by hand twisting on to the tail pipe of the drain. Then, install the tail pipe to the wall plumbing. Use of plumbers putty or silicone is recommended to seal drain ① to top side of bowl.

How to operate the handle:



REPLACEMENT PARTS



No.	Description	Finish/Color	Item No.
1	Spout	C,SS,MB	50T1839801DQ
2	Aerator		80M24123
3	Indexs		80N85050
4	Screw		8EM5X5
5	Handles	C,SS,MB	50P00VV82
6	Fix Ring		8YG23000
7	Washer		8SJ285X255X17
8	Cartridge		K00023260
9	Body		5SNB401NPDQ
10	Gasket		5PDT431S
11	Mounting Nuts		5NM1A200
12	Decorative Plate	C,SS,MB	5MBT4312
13	Cartridge		K0002326Z
14	O-ring		8J18X2A
15	Screws		8HM5X8
16	Aerator Wrench		80P00013
17	Allen Key		8BS25
18	Pop-up Drain		C21026
19	Supply Lines		G08603SR

*Denotes faucet component color options:

C - Chrome

SS - Stainless Steel

MB - Matte Black