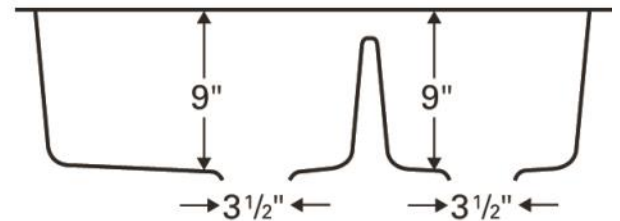
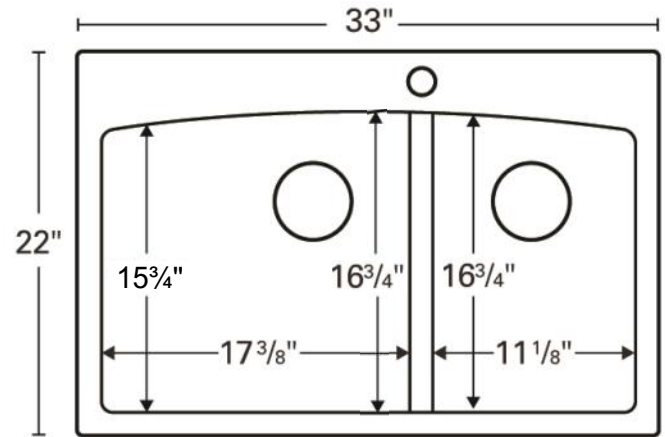


Karran quartz sinks are manufactured from durable quartz composite material that makes them incredibly tough and resilient to even the toughest daily kitchen tasks. They contain 80% natural quartz crystals and 20% high performance acrylic resins. These materials provide high scratch, stain, chip and heat resistance. This easy-to-install top mount design is 33" x 22" in size and is available in a selection of 6 elegant color choices.

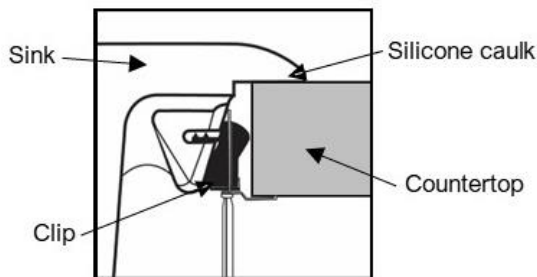
<b>Series:</b>	Quartz QT Series
<b>Material:</b>	80% quartz / 20% acrylic resin
<b>Installation Type:</b>	Top mount / drop-in
<b>Configuration:</b>	Large/small bowl
<b>Overall dimensions:</b>	33" x 22"
<b>Left bowl dimensions:</b>	17-3/8" x 16-3/4" x 9"
<b>Right bowl dimensions:</b>	11-1/8" x 16-3/4" x 9"
<b>Drain size:</b>	3-1/2"
<b>Min. cabinet size:</b>	33"
<b>Template included:</b>	Yes
<b>Clips included:</b>	Yes
<b>Finishes / Colors:</b>	Bisque, Concrete, White, Black, Grey, Brown



Sinks are listed with IAPMO and meet the requirements of the Uniform Plumbing Code, International Plumbing Code and the National Plumbing Code of Canada.



**INSTALLATION METHOD**



**PROJECT INFORMATION**

PROJECT: \_\_\_\_\_  
 CONTACT: \_\_\_\_\_  
 DATE: \_\_\_\_\_  
 NOTES: \_\_\_\_\_  
 \_\_\_\_\_  
 \_\_\_\_\_

**APPROVAL:**

**OPTIONAL ACCESSORIES**

MODELS	COLOR	STRAINER	FLANGE	GRIDS
• QT-711-WH	White	QBSWH	QDFWH	GR-6007, GR-6008
• QT-711-BI	Bisque	QBSBI	QDFBI	GR-6007, GR-6008
• QT-711-BL	Black	QBSBL	QDFBL	GR-6007, GR-6008
• QT-711-BR	Brown	QBSBR	QDFBR	GR-6007, GR-6008
• QT-711-CN	Concrete	QBSCN	QDFCN	GR-6007, GR-6008
• QT-711-GR	Grey	QBSGR	QDFGR	GR-6007, GR-6008

We reserve the right to update product specifications without notice. Please visit [karran.com](http://karran.com) for the most current specification sheets. All dimensions are accurate to 1/4". REV 5-2022