

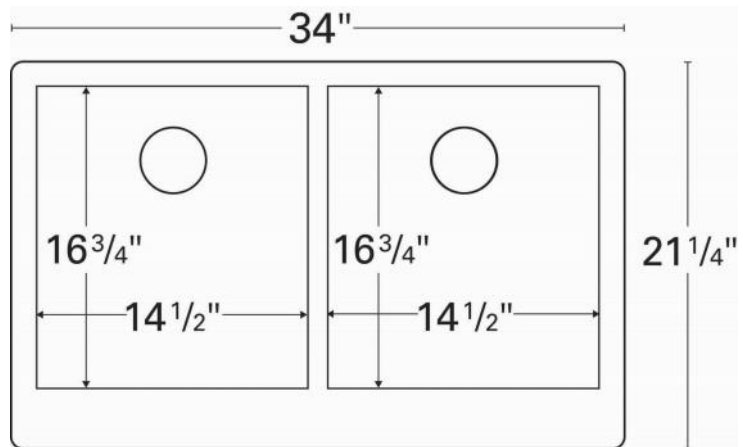
Karran quartz sinks are manufactured from durable quartz composite material that makes them incredibly tough and resilient to even the toughest daily kitchen tasks. They contain 80% natural quartz crystals and 20% high performance acrylic resins. These materials provide high scratch, stain, chip and heat resistance. This QAR model is designed to fit into a standard 36" sink base cabinet and comes complete with stainless steel bottom grids, stainless steel basket strainers and Luster Pro oil.



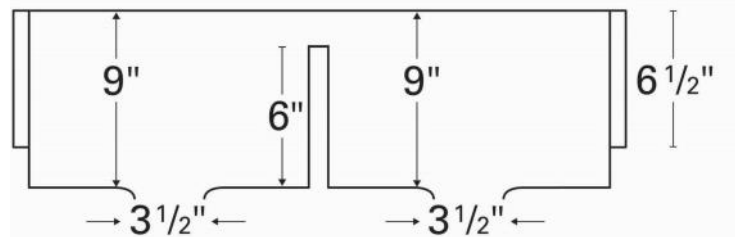
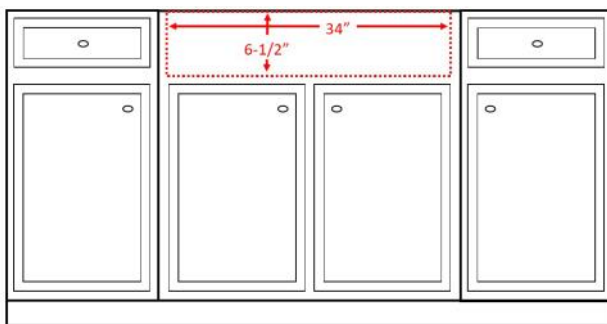
| | |
|-------------------------------|--|
| Series: | Quartz QAR Series |
| Material: | 80% quartz / 20% acrylic resin |
| Installation Type: | Apron front |
| Configuration: | Double equal bowl |
| Overall dimensions: | 34" x 21-1/4" |
| Apron depth: | 6-1/2" |
| Left bowl dimensions: | 14-1/2" x 16-3/4" x 9" |
| Right bowl dimensions: | 14-1/2" x 16-3/4" x 9" |
| Drain size: | 3-1/2" |
| Min. cabinet size: | 36" |
| Accessories included: | Stainless steel bottom grids, stainless steel basket strainers and Luster Pro oil. |
| Finishes / Colors: | Bisque, Concrete, White, Black, Grey, Brown |



Sinks are listed with IAPMO and meet the requirements of the Uniform Plumbing Code, International Plumbing Code and the National Plumbing Code of Canada.



INSTALLATION METHOD



PROJECT INFORMATION

PROJECT: _____
 CONTACT: _____
 DATE: _____
 NOTES: _____

APPROVAL:

OPTIONAL ACCESSORIES

| MODELS | COLOR | STRAINER | FLANGE |
|--------------|----------|----------|--------|
| • QAR-750-WH | White | QBSWH | QDFWH |
| • QAR-750-BI | Bisque | QBSBI | QDFBI |
| • QAR-750-BL | Black | QBSBL | QDFBL |
| • QAR-750-BR | Brown | QBSBR | QDFBR |
| • QAR-750-CN | Concrete | QBSCN | QDFCN |
| • QAR-750-GR | Grey | QBSGR | QDFGR |

We reserve the right to update product specifications without notice. Please visit karran.com for the most current specification sheets. All dimensions are accurate to 1/4". REV 5-2022