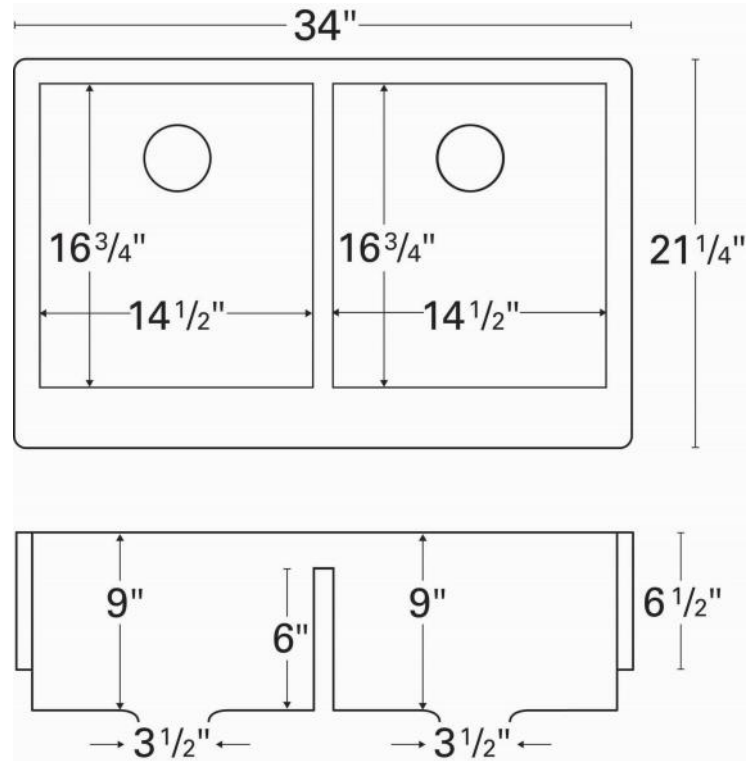


Karran quartz sinks are manufactured from durable quartz composite material that makes them incredibly tough and resilient to even the toughest daily kitchen tasks. They contain 80% natural quartz crystals and 20% high performance acrylic resins. These materials provide high scratch, stain, chip and heat resistance. This QAR model is designed to fit into a standard 36" sink base cabinet.

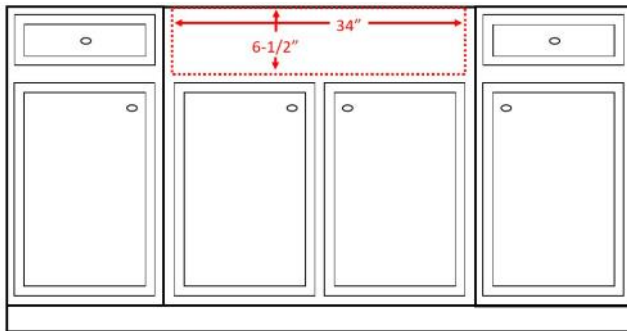
Series:	Quartz QAR Series
Material:	80% quartz / 20% acrylic resin
Installation Type:	Apron front
Configuration:	Double equal bowl
Overall dimensions:	34" x 21-1/4"
Apron depth:	6-1/2"
Left bowl dimensions:	14-1/2" x 16-3/4" x 9"
Right bowl dimensions:	14-1/2" x 16-3/4" x 9"
Drain size:	3-1/2"
Min. cabinet size:	36"
Finishes / Colors:	Bisque, Concrete, White, Black, Grey, Brown



Sinks are listed with IAPMO and meet the requirements of the Uniform Plumbing Code, International Plumbing Code and the National Plumbing Code of Canada.



INSTALLATION METHOD



PROJECT INFORMATION

PROJECT: _____
 CONTACT: _____
 DATE: _____
 NOTES: _____

APPROVAL:

OPTIONAL ACCESSORIES

MODELS	COLOR	STRAINER	FLANGE	GRIDS
• QAR-750-WH	White	QBSWH	QDFWH	GR-6002
• QAR-750-BI	Bisque	QBSBI	QDFBI	GR-6002
• QAR-750-BL	Black	QBSBL	QDFBL	GR-6002
• QAR-750-BR	Brown	QBSBR	QDFBR	GR-6002
• QAR-750-CN	Concrete	QBSCN	QDFCN	GR-6002
• QAR-750-GR	Grey	QBSGR	QDFGR	GR-6002

We reserve the right to update product specifications without notice. Please visit karran.com for the most current specification sheets. All dimensions are accurate to 1/4". REV 5-2022