

# Karran®

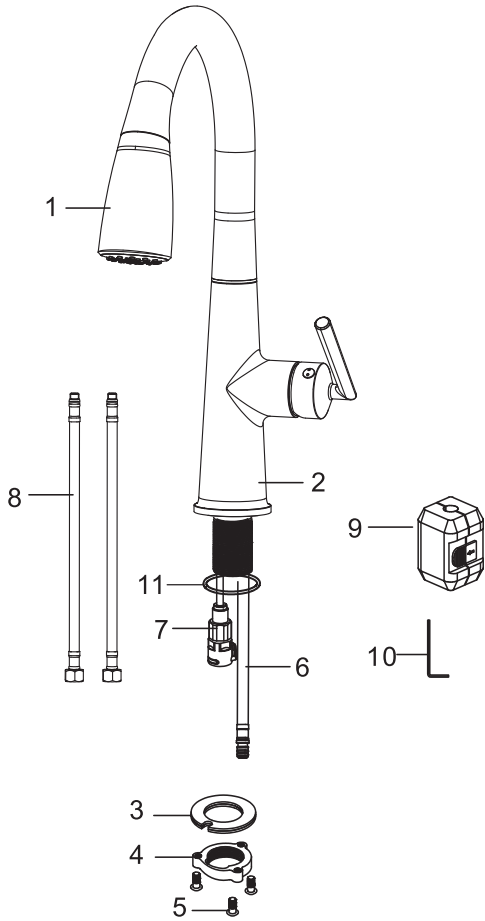
---

## INSTALLATION GUIDE



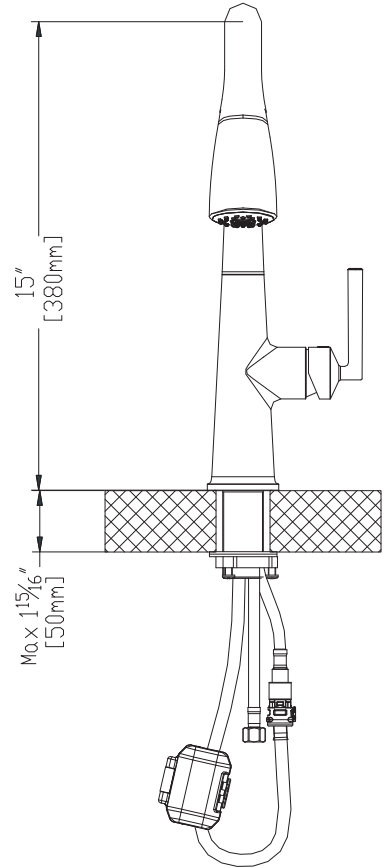
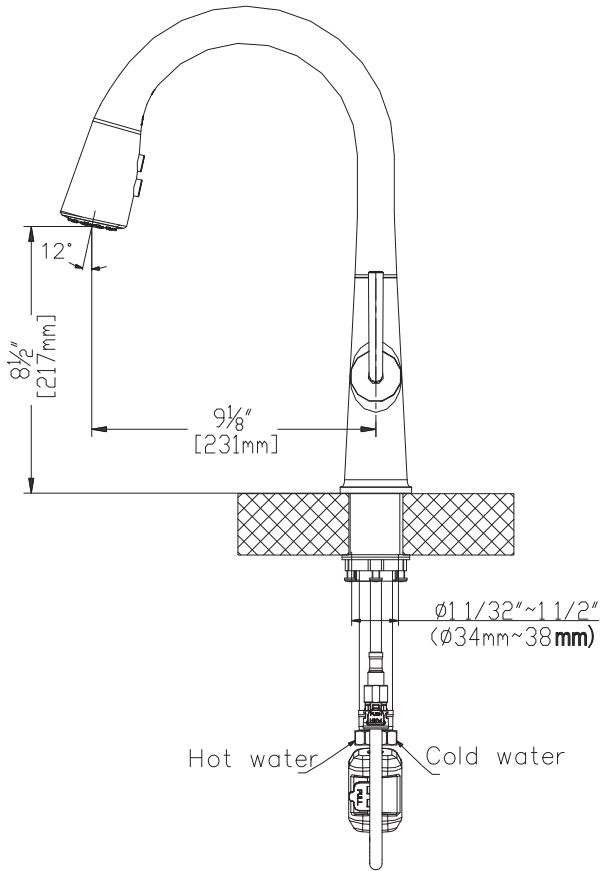
## Kentland

**Models:** KKF320SS KKF320MB  
KKF320GG



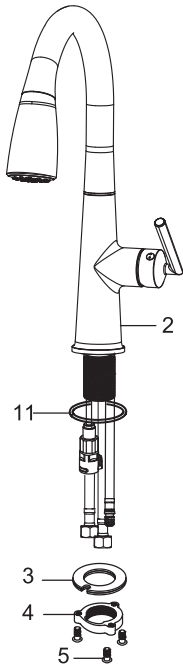
1. Spray Head
2. Faucet Body
3. Rubber&Metal Washer
4. Mounting Nut
5. Mounting Screws
6. Spray Hose
7. Quick Connector
8. Hot&Cold Water Lines
9. Weight
10. Hex Wrench
11. O-ring

# TECHNICAL DRAWING



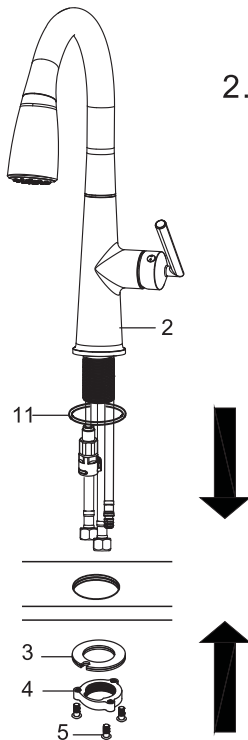
# INSTALLATION GUIDE

## STEP 1



1. Remove the mounting nut (#4), rubber&metal washer (#3) from the faucet body (#2).

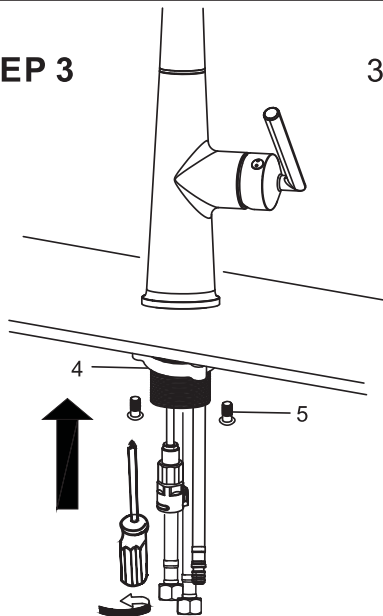
## STEP 2



2. Insert the main body into the hole with the o-ring (#11),refix the rubber&metal washer (#3) and mounting nut (#4) from the faucet bottom.

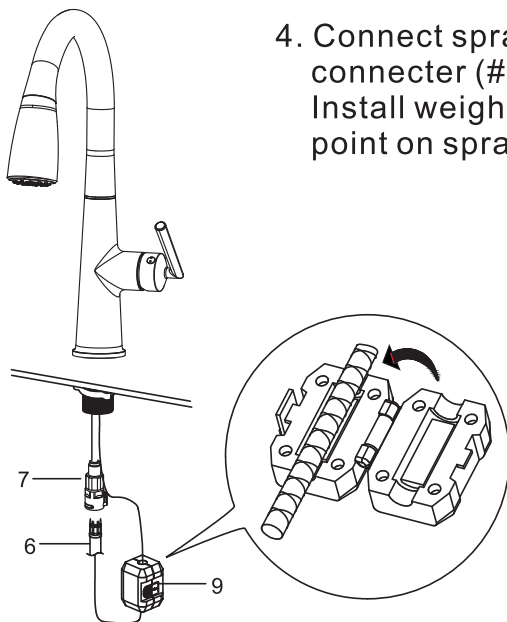
# INSTALLATION GUIDE

## STEP 3



3. After adjusting the direction of the main body, tighten the mounting nut (#4) with hands and tighten the mounting screws (#5) with a Philips screwdriver.

## STEP 4

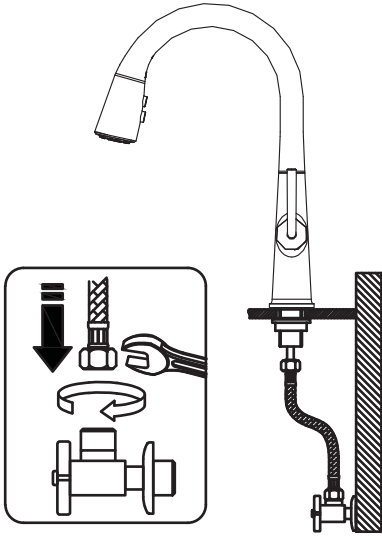


4. Connect spray hose (#6) to quick connector (#7) attached to supply line. Install weight (#9) on lowest vertical point on spray hose (#6).

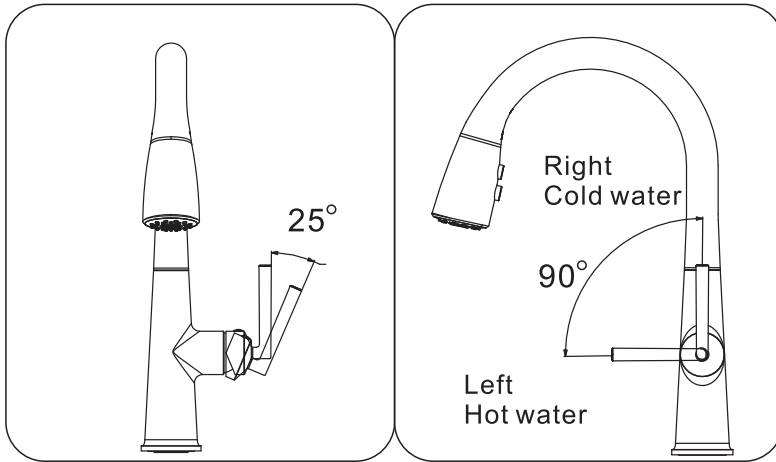
# INSTALLATION GUIDE

## STEP 5

5. Connect the water lines to outlet tightly.  
Turn on the outlet and check for leaks.



## How to operate the handle:

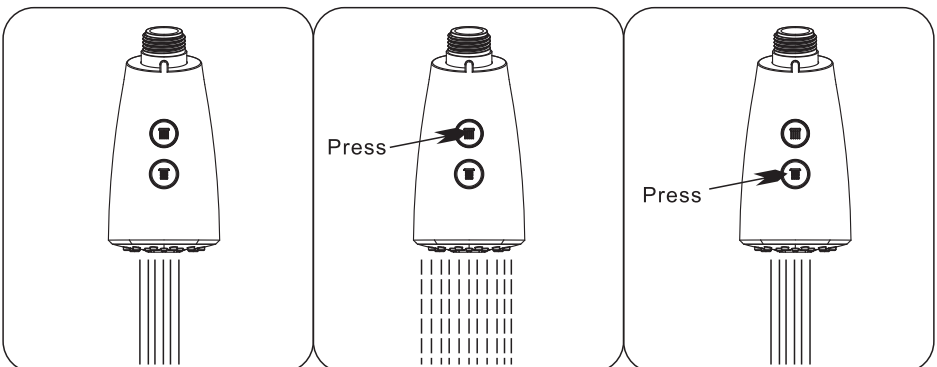


1. Open the handle lever to turn water on. Push to turn off.
2. Turn the handle lever to the left to increase hot water flow with higher water temperature. Lower the water temperature by operating reversely.

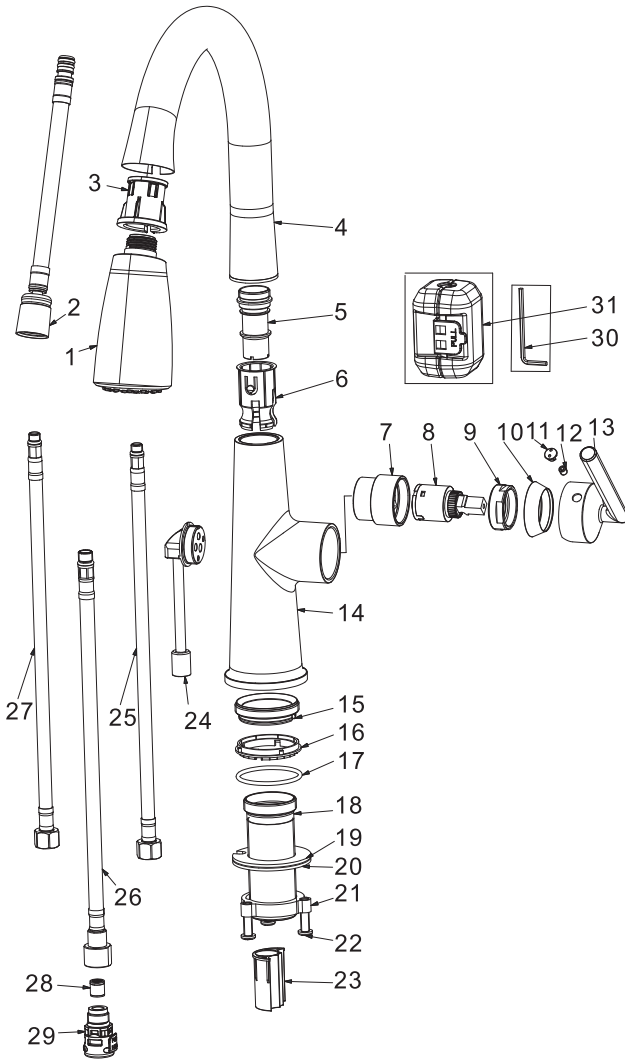
## Spray

The operation of the spray diverter:

1. When first turned on, water comes from aerator.
2. Press button back, water comes from nozzles.
3. Press button front, water comes from aerator.
4. Diverter button automatically returns to normal position once handle closed.



# REPLACEMENT PARTS



No.	Description	Finish/Color	Item No.
1	Spray	SS,MB,GG	F2567
2	Spray Hose		H569100
3	Pull-out Protector		53T569059
4	Spout	SS,MB,GG	50G569A59
5	Connector		5YJ569110
6	Wear Reducing Sleeve		5SJ569110
7	Cartridge Hosing		51T569181
8	Cartridge		J10250MZ00
9	Lock Nut		8YG16G12
10	Trim Cap	SS,MB,GG	7ZG16363
11	Index		80N81051
12	Set Screw		8EM5X5
13	Handle	SS,MB,GG	50P25VGR2
14	Body	SS,MB,GG	50T569181
15	Washer		5JT569155
16	Connector		5SJ569155
17	O-ring		8J465X265A
18	Threaded Sleeve		54T56407
19	Rubber Washer		81N56U26
20	Metal Washer		80N56U26
21	Mounting Nut		9NM56Z55
22	Mounting Screw		8RM6X15
23	Pull-out Protector		5HT56068
24	Welding Core		53T569121G
25	Hose		G69703SR03
26	Cold Water Line		G55303SR00
27	Hot Water Line		G69703SR02
28	Check Valve		J92031NP3
29	Quick Connector		Jt56226
30	Allen Key		8BS25
31	Weight		5QQ569113

\*Denotes faucet component color options:  
 SS - Stainless Steel  
 MB - Matte Black  
 GG - Gunmetal Grey