

### FEATURES

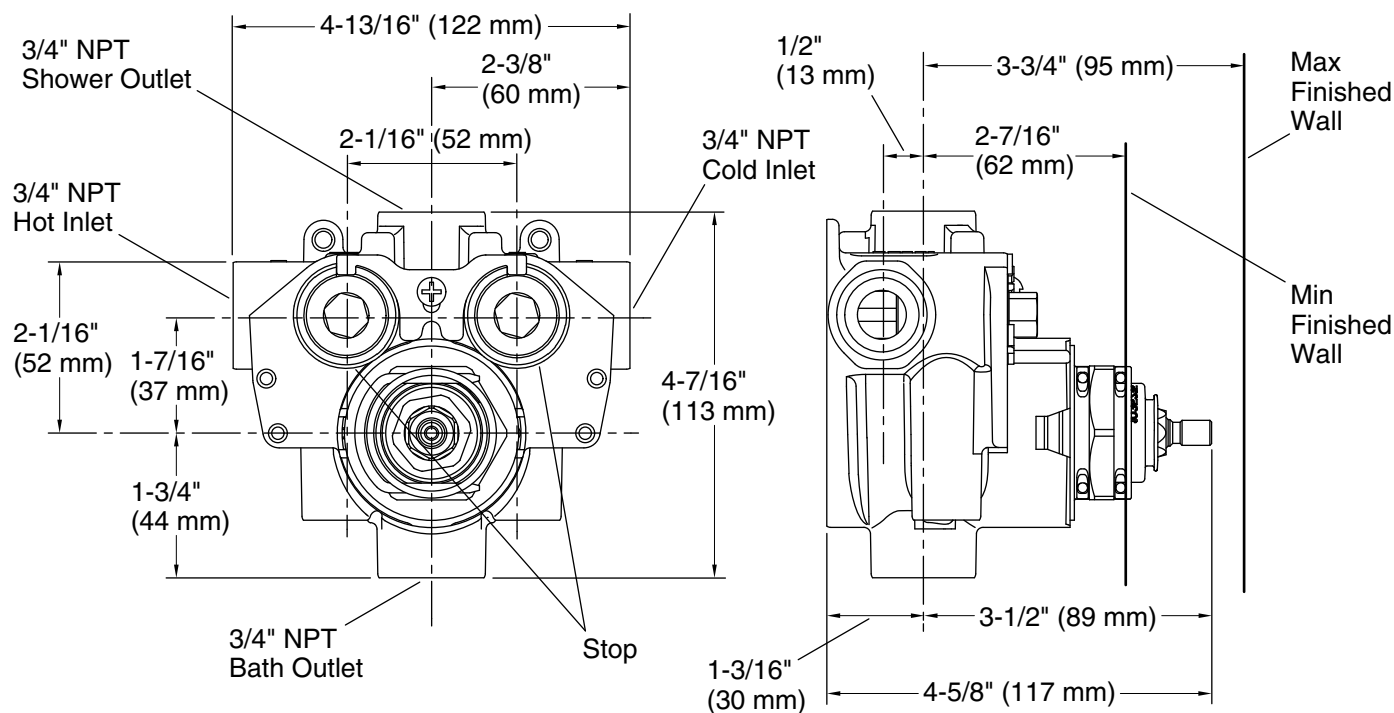
- Forged brass valve body
- Single-handle temperature control
- High-temperature limit setting for added safety
- Temperature-balancing mechanism
- Scald hazard prevention
- Integral stops
- Crossflow prevention
- 3/4" NPT connections
- Filter screens
- Dual outlet (bath - bottom, shower - top)
- Less volume control

### CODES/STANDARDS APPLICABLE

Specified model meets or exceeds the following:

- ASSE 1016
- ASME A112.18.1/CSA B125.1

# P29512



### INSTALLATION NOTES

The thermostatic valve requires a separate volume control valve, P29527-00-NA or P29528-00-NA, for each bath and/or shower outlet.

For bath-only or shower-only installations, an NPT plug must be installed in any unused outlet.

The lower port of the thermostatic mixer is intended for use with a bath spout only. If a bath spout is not used with this product, the lower port must be plugged.

### SPECIFIED MODEL

Model	Description	Finishes
P29512-WS	3/4" Thermostatic Mixer Valve	<input type="checkbox"/> NA
Required Accessories		
P29527-00	1/2" Volume Control Valve - for use on bath or shower outlets or	<input type="checkbox"/> NA
P29528-00	3/4" Volume Control Valve - for use on bath or shower outlets	<input type="checkbox"/> NA

We reserve the right to make revisions without notice in the design of products or in packaging unless this right has specifically been waived at the time the order is accepted.