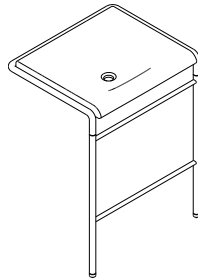
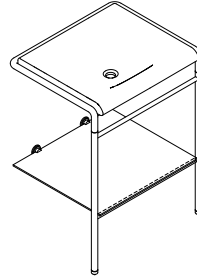


INSTALLATION INSTRUCTIONS



P74050, P74052



P74050, P74052, P74009

INSTALLATION INSTRUCTIONS

THANK YOU FOR CHOOSING KALLISTA

We appreciate your commitment to Kallista quality products. Please take a moment to review this manual before you install your Kallista product. If you encounter any installation or performance problems, please do not hesitate to contact us at the phone number listed at the bottom of the page.

BEFORE YOU BEGIN

- Observe all local plumbing and building codes.
- Prior to installation, unpack the new lavatory and console and inspect them for damage. Return the lavatory and console to their protective cartons until you are ready to install them.
- These instructions are for installing the console table to wood frame construction. For other installations, supply suitable bracing and fastening devices of sufficient size and strength.
- Sufficient support behind the finished wall, such as 2x6 wall bracing, is required for proper installation.
- This installation is designed to be done with a minimum of two people. Do not install this fixture alone.
- All dimensions given assume that the floor and walls are square, plumb, and level. Make appropriate adjustments for other conditions.
- The appearance of your product may differ from what is shown in these instructions, however, the installation procedure is the same.
- Kallista reserves the right to make revisions in the design of products without notice, as specified in the Price Book.

TOOLS AND MATERIALS



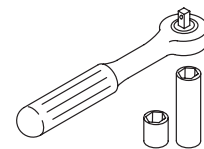
Tape Measure



Assorted Screwdrivers



Adjustable Wrench



Socket Wrench W/Sockets



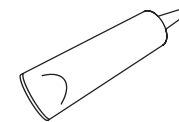
Pencil



Drill



Level



Silicone Sealant

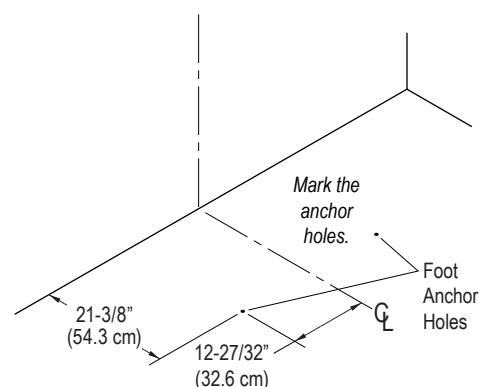
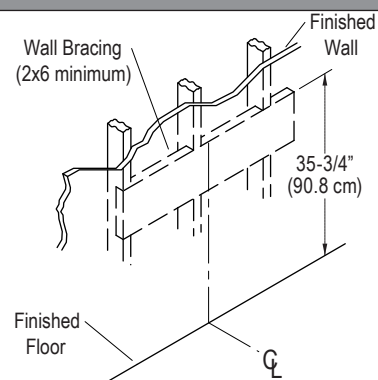
Plus

- Screws for mounting the table leg assembly to your wall.

INSTALLATION INSTRUCTIONS

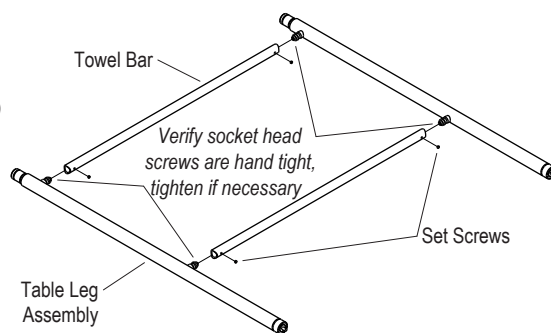
1. PREPARE THE SITE

- Rough-in the water supply lines and the drain piping.
- Install a minimum of a 2x6 as a wall brace to provide support for the wall bracket. The brace should be the same length as the console table, 26" and should be positioned 35-3/4" from the finished floor to the top edge of the board. The center of the wall brace should be in-line with the drain outlet.
- Finish the wall.
- Mark the centerline on the floor and the wall.
- Mark the location of the holes on the floor for the feet anchors.
- Drill a hole 1/4" D. x 1/2" deep, in the finished floor for each foot anchor. The holes should be 21-3/8" from the wall and 12-27/32" from the centerline.



2. ASSEMBLE THE FRONT CONSOLE TABLE LEGS

- Check that the socket head screws on the towel bar mounting assemblies are tight on both leg assemblies.
- Assemble the two towel bars to one leg assembly using two setscrews.
- Assemble the second leg assembly to the open end of the towel bars with the remaining two setscrews.

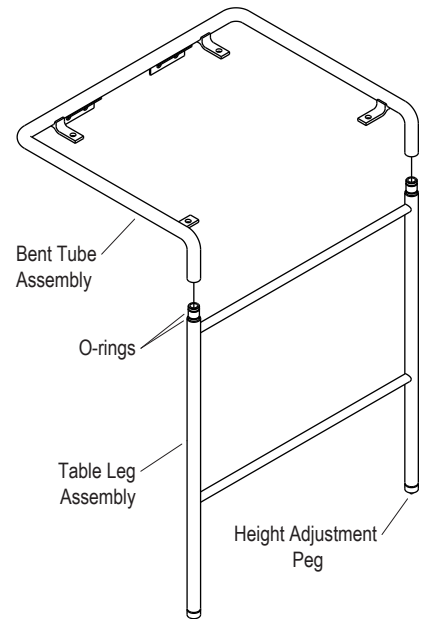


INSTALLATION INSTRUCTIONS

3. INSTALL THE BENT TUBE ASSEMBLY

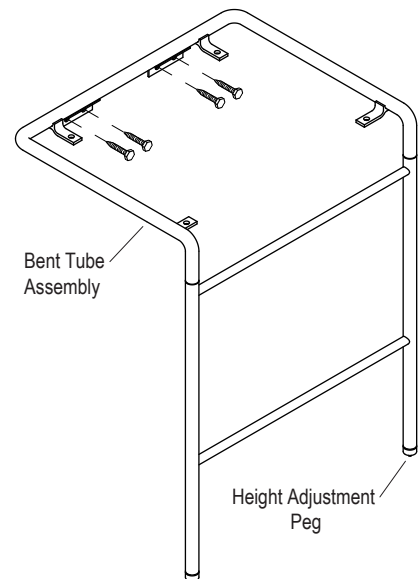
NOTE: Moistening O-rings with a drop of water will help with installation. Use only water.

- Make sure the height adjustment pegs are turned all the way into the table leg assemblies and the O-rings are on top of the leg assemblies.
- Set the leg and towel bar assembly into the holes in the floor.
- Push the bent tube assembly onto the leg and towel bar assembly.



4. MOUNT TABLE LEGS TO WALL

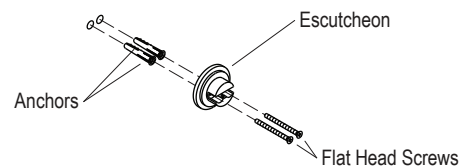
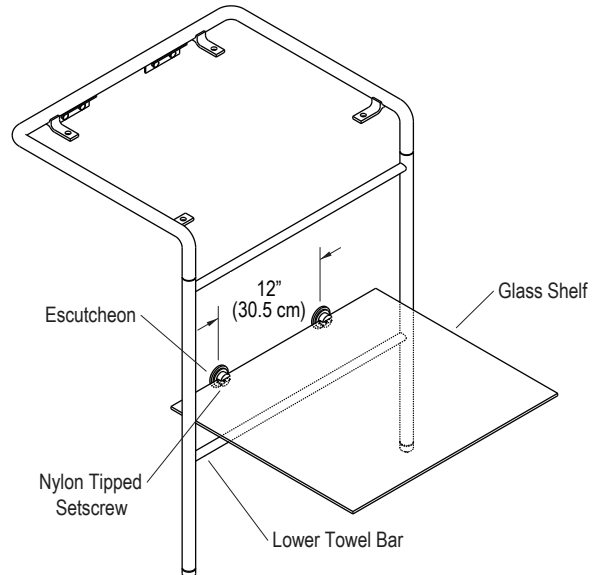
- Lean assembly against the wall and verify that the legs are plumb and the top of the bent tube assembly is level front to back and side to side. Adjust the height adjustment pegs as necessary.
- Mark the location of the mounting holes on the wall.
- Remove the assembly and drill the wall holes.
- Replace the assembly and attach it to the wall.



INSTALLATION INSTRUCTIONS

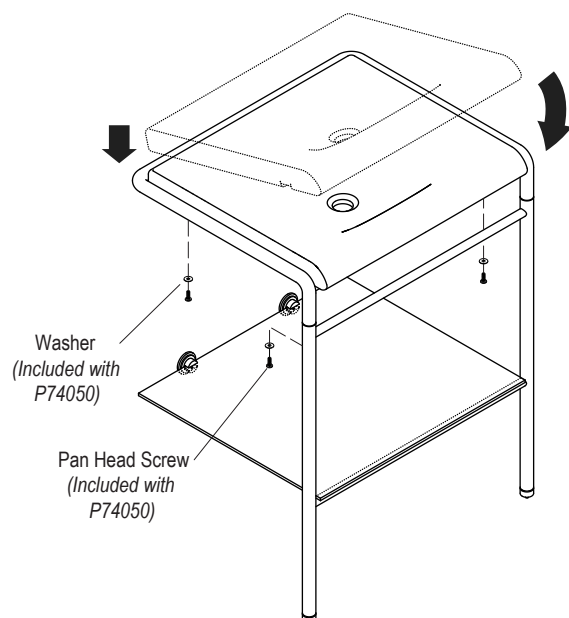
5. INSTALL P74009 (OPTIONAL)

- Install glass shelf into escutcheons and lightly tighten nylon tipped setscrews. DO NOT overtighten.
- Place the shelf on the lower towel bar.
- While an assistant holds the shelf**, level the shelf and mark the location of the escutcheons on the wall.
- Remove the escutcheons from the shelf and set the shelf aside.
- Place the escutcheons on the wall on the marked locations, making sure the slot for the shelf is horizontal. Mark the locations of the mounting holes.
- Drill the mounting holes for the escutcheons and insert the wall anchors into the holes.
- Attach the escutcheons to the wall with the flat head screws.
- Re-install glass shelf into escutcheons and lightly tighten nylon tipped setscrews. DO NOT overtighten.



6. INSTALL P74050

- With an assistant**, set stone onto assembly, back end first and tip front down. Secure to leg assembly with bolts and washers.



INSTALLATION INSTRUCTIONS

7. STONE TOP HOLE FABRICATION (OPTIONAL)

- Three faucet holes have been partially drilled from the underside of the console top.
- On the top, show surface, of the console top, locate the center of the required faucet holes. Using a compass or circle template, draw a circle for the required holes.
- Using a small hammer, create the faucet hole(s) by gently tapping the console top within the circles until the stone breaks away.

NOTE: DO NOT strike the console top with too much force. **DO NOT** strike from the bottom side of the console top. This will damage the top surface of the console top.

- Using a file or sanding cylinder, complete the removal of stone material to create a clean round hole.

8. COMPLETE THE INSTALLATION

- Install the faucet and drain according to the manufacturer's instructions.
- Connect the water supply and check for leaks.